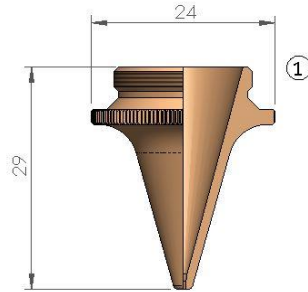
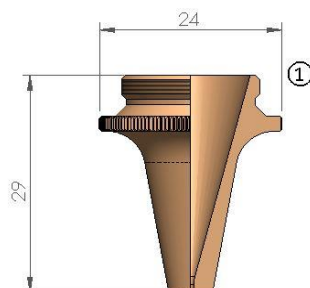


Replacement parts suitable for MESSER®



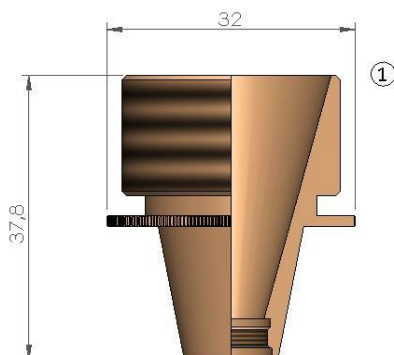
POS	CODE	ORIGINAL CODE	DESCRIPTION	unit price	10 pack price
1	481020	721068808	MESSER® FLF NOZZLE Ø 0.8		
	481021	G00000241	MESSER® FLF NOZZLE Ø 1.0		
	481022	G00000242	MESSER® FLF NOZZLE Ø 1.2		
	481023	G00000243	MESSER® FLF NOZZLE Ø 1.4		
	481024	G00000244	MESSER® FLF NOZZLE Ø 1.7		
	481025	G00000245	MESSER® FLF NOZZLE Ø 2.0		
	481026	G00000246	MESSER® FLF NOZZLE Ø 2.5		
	481027	G00000247	MESSER® FLF NOZZLE Ø 3.0		

Replacement parts suitable for MESSER®

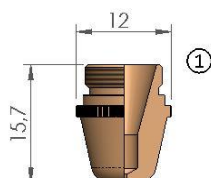


POS	CODE	ORIGINAL CODE	DESCRIPTION	unit price	10 pack price
1	481001	G00000230	MESSER® FLS NOZZLE Ø 0.8		
	481002	G00000231	MESSER® FLS NOZZLE Ø 1.0		
	481003	G00000232	MESSER® FLS NOZZLE Ø 1.2		
	481004	G00000233	MESSER® FLS NOZZLE Ø 1.4		
	481005	G00000234	MESSER® FLS NOZZLE Ø 1.7		
	481006	G00000235	MESSER® FLS NOZZLE Ø 2.0		
	481007	G00000236	MESSER® FLS NOZZLE Ø 2.5		
	481008	G00000237	MESSER® FLS NOZZLE Ø 3.0		
	481009	G00000673	MESSER® FLS NOZZLE Ø 3.5		
	481010	G00000674	MESSER® FLS NOZZLE Ø 4.0		
	481011		MESSER® FLS NOZZLE Ø 5.0		

Replacement parts suitable for MESSER®



POS	CODE	ORIGINAL CODE	DESCRIPTION	unit price	10 pack price
1	489001		MESSER® NOZZLE ADAPTER BODY		



POS	CODE	ORIGINAL CODE	DESCRIPTION	unit price	10 pack price
1	483001		MESSER G.® NOZZLE Ø 0.8		
	483001W		MESSER G.® NOZZLE Ø 0.8		
	483002		MESSER G.® NOZZLE Ø 1.0		
	483002W		MESSER G.® NOZZLE Ø 1.0		
	483003		MESSER G.® NOZZLE Ø 1.2		
	483003W		MESSER G.® NOZZLE Ø 1.2		
	483004		MESSER G.® NOZZLE Ø 1.4		
	483004W		MESSER G.® NOZZLE Ø 1.4		
	483005		MESSER G.® NOZZLE Ø 1.6		
	483005W		MESSER G.® NOZZLE Ø 1.6		
	483006		MESSER G.® NOZZLE Ø 1.8		
	483006W		MESSER G.® NOZZLE Ø 1.8		
	483007		MESSER G.® NOZZLE Ø 2.0		
	483007W		MESSER G.® NOZZLE Ø 2.0		
	483008		MESSER G.® NOZZLE Ø 2.2		
	483008W		MESSER G.® NOZZLE Ø 2.2		
	483009		MESSER G.® NOZZLE Ø 2.4		
	483009W		MESSER G.® NOZZLE Ø 2.4		
	483010		MESSER G.® NOZZLE Ø 3.0		
	483010W		MESSER G.® NOZZLE Ø 3.0		

San Giorgio Plasma Parts srls is not affiliated with the named manufacturers. Reference to machines, parts, descriptions, and model numbers are for convenience in verifying compatibility only. All parts are made by or for San Giorgio Plasma Parts srls and are not made by the reference manufactures (unless expressly indicated). All other trademarks are the properties of their respective owners."