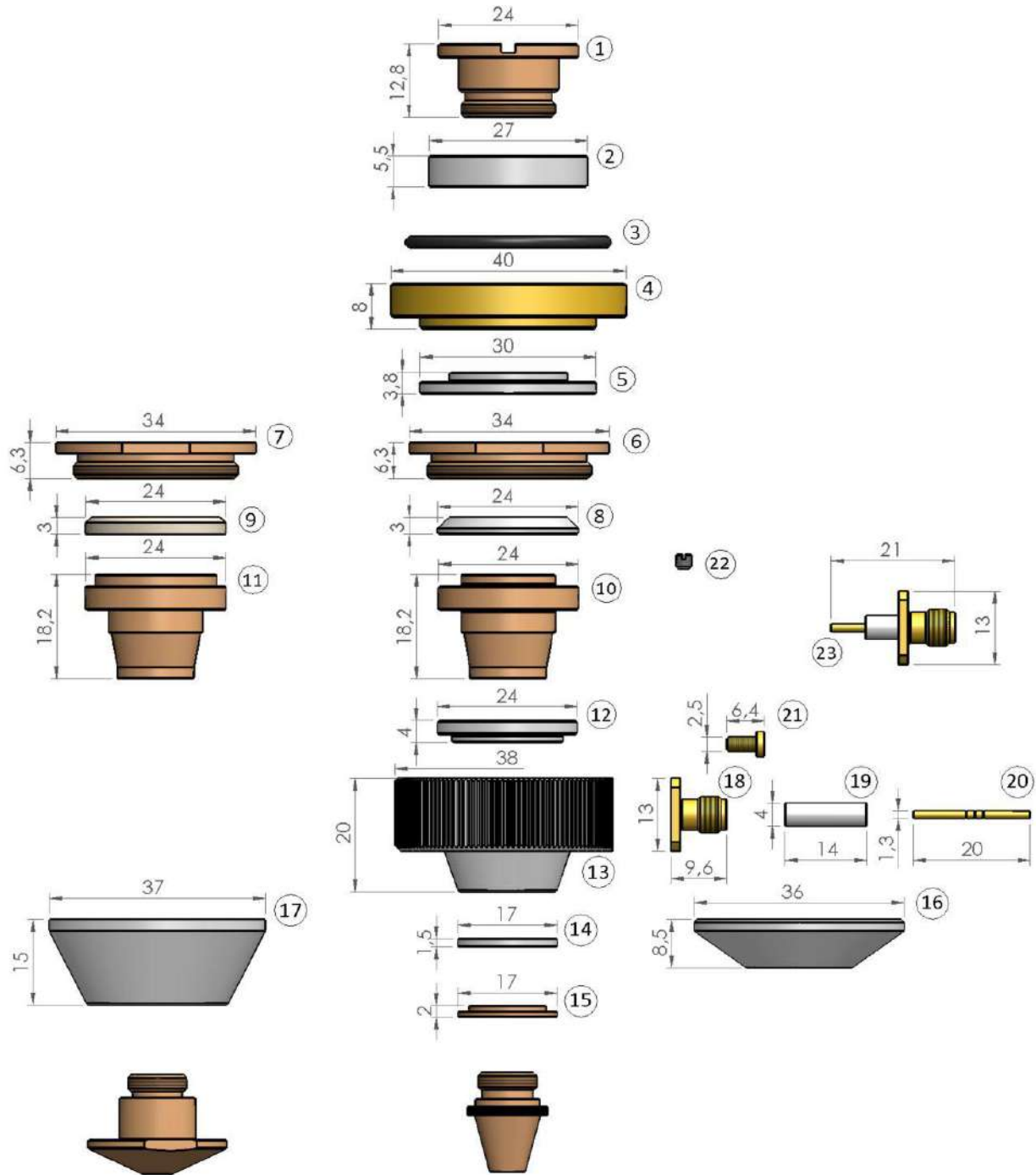
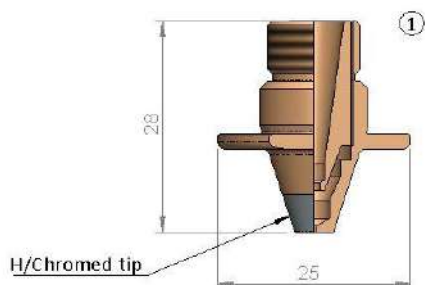


Replacement parts suitable for MAZAK®



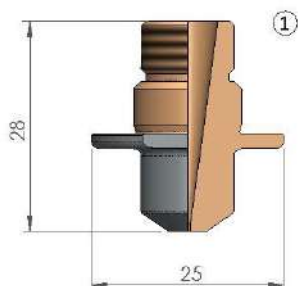
San Giorgio Plasma Parts srls is not affiliated with the named manufacturers. Reference to machines, parts, descriptions, and model numbers are for convenience in verifying compatibility only. All parts are made by or for San Giorgio Plasma Parts srls and are not made by the reference manufactures (unless expressly indicated). All other trademarks are the properties of their respective owners."

Replacement parts suitable for MAZAK®



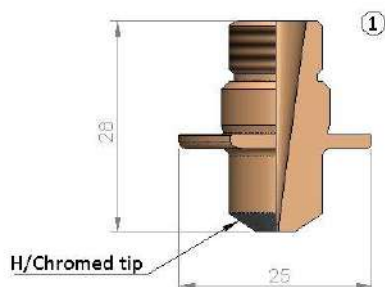
POS		ORIGINAL CODE	DESCRIPTION	unit price	5 pack price
1	201017CK		MAZAK® DOUBLE NOZZLE SLIM Ø 0.8 CP		
	201017CKV		MAZAK® DOUBLE NOZZLE SLIM Ø 0.8 CP		
	201018CK		MAZAK® DOUBLE NOZZLE SLIM Ø 1.0 CP		
	201018CKV		MAZAK® DOUBLE NOZZLE SLIM Ø 1.0 CP		
	201019CK		MAZAK® DOUBLE NOZZLE SLIM Ø 1.2 CP		
	201019CKV		MAZAK® DOUBLE NOZZLE SLIM Ø 1.2 CP		
	201020CK	36143311500	MAZAK® DOUBLE NOZZLE SLIM Ø 1.5 CP		
	201020CKV	36143311500	MAZAK® DOUBLE NOZZLE SLIM Ø 1.5 CP		
	201021CK		MAZAK® DOUBLE NOZZLE SLIM Ø 1.8 CP		
	201021CKV		MAZAK® DOUBLE NOZZLE SLIM Ø 1.8 CP		
	201022CK	36143311510	MAZAK® DOUBLE NOZZLE SLIM Ø 2.0 CP		
	201022CKV	36143311510	MAZAK® DOUBLE NOZZLE SLIM Ø 2.0 CP		
	201023CK		MAZAK® DOUBLE NOZZLE SLIM Ø 2.2 CP		
	201023CKV		MAZAK® DOUBLE NOZZLE SLIM Ø 2.2 CP		
	201024CK	36143311520	MAZAK® DOUBLE NOZZLE SLIM Ø 2.5 CP		
	201024CKV	36143311520	MAZAK® DOUBLE NOZZLE SLIM Ø 2.5 CP		
	201025CK	36143311530	MAZAK® DOUBLE NOZZLE SLIM Ø 3.0 CP		
	201025CKV	36143311530	MAZAK® DOUBLE NOZZLE SLIM Ø 3.0 CP		
	201026CK	36143312380	MAZAK® DOUBLE NOZZLE SLIM Ø 3.5 CP		
	201026CKV	36143312380	MAZAK® DOUBLE NOZZLE SLIM Ø 3.5 CP		
201027CK	36143312390	MAZAK® DOUBLE NOZZLE SLIM Ø 4.0 CP			
201027CKV	36143312390	MAZAK® DOUBLE NOZZLE SLIM Ø 4.0 CP			
201028CK		MAZAK® DOUBLE NOZZLE SLIM Ø 4.5 CP			
201028CKV		MAZAK® DOUBLE NOZZLE SLIM Ø 4.5 CP			
201029CK		MAZAK® DOUBLE NOZZLE SLIM Ø 5.0 CP			
201029CKV		MAZAK® DOUBLE NOZZLE SLIM Ø 5.0 CP			

Replacement parts suitable for MAZAK®



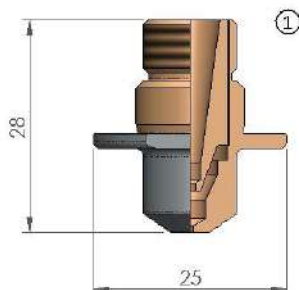
POS	CODE	ORIGINAL CODE	DESCRIPTION	unit price	5 pack price
1	201034C		MAZAK® NOZZLE PENCIL Ø 0.8 CP		
	201034CV		MAZAK® NOZZLE PENCIL Ø 0.8 CP		
	201035C	06283301190	MAZAK® NOZZLE PENCIL Ø 1.0 CP		
	201035CV	06283301190	MAZAK® NOZZLE PENCIL Ø 1.0 CP		
	201036C	36143312220	MAZAK® NOZZLE PENCIL Ø 1.2 CP		
	201036CV	36143312220	MAZAK® NOZZLE PENCIL Ø 1.2 CP		
	201037C	36143312230	MAZAK® NOZZLE PENCIL Ø 1.5 CP		
	201037CV	36143312230	MAZAK® NOZZLE PENCIL Ø 1.5 CP		
	201038C	Q6143300060	MAZAK® NOZZLE PENCIL Ø 1.8 CP		
	201038CV	Q6143300060	MAZAK® NOZZLE PENCIL Ø 1.8 CP		
	201039C	36143312240	MAZAK® NOZZLE PENCIL Ø 2.0 CP		
	201039CV	36143312240	MAZAK® NOZZLE PENCIL Ø 2.0 CP		
	201040C		MAZAK® NOZZLE PENCIL Ø 2.2 CP		
	201040CV		MAZAK® NOZZLE PENCIL Ø 2.2 CP		
	201041C	36143312250	MAZAK® NOZZLE PENCIL Ø 2.5 CP		
	201041CV	36143312250	MAZAK® NOZZLE PENCIL Ø 2.5 CP		
	201042C	36143312260	MAZAK® NOZZLE PENCIL Ø 3.0 CP		
	201042CV	36143312260	MAZAK® NOZZLE PENCIL Ø 3.0 CP		
	201043C	36143312270	MAZAK® NOZZLE PENCIL Ø 3.5 CP		
	201043CV	36143312270	MAZAK® NOZZLE PENCIL Ø 3.5 CP		
	201044C	36143312280	MAZAK® NOZZLE PENCIL Ø 4.0 CP		
	201044CV	36143312280	MAZAK® NOZZLE PENCIL Ø 4.0 CP		
	201045C	06143355590	MAZAK® NOZZLE PENCIL Ø 4.5 CP		
	201045CV	06143355590	MAZAK® NOZZLE PENCIL Ø 4.5 CP		
	201046C	06283301030	MAZAK® NOZZLE PENCIL Ø 5.0 CP		
	201046CV	06283301030	MAZAK® NOZZLE PENCIL Ø 5.0 CP		
	201047C	06143355600	MAZAK® NOZZLE PENCIL Ø 5.5 CP		
	201047CV	06143355600	MAZAK® NOZZLE PENCIL Ø 5.5 CP		

Replacement parts suitable for MAZAK®



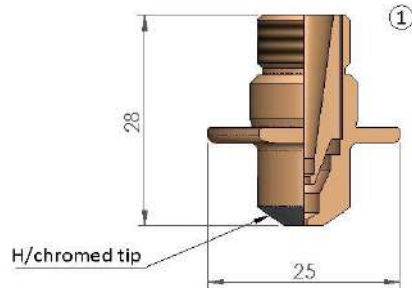
POS	CODE	ORIGINAL CODE	DESCRIPTION	unit price	5 pack price
1	201034CK		MAZAK® NOZZLE PENCIL Ø 0.8 CP		
	201034CKV		MAZAK® NOZZLE PENCIL Ø 0.8 CP		
	201035CK	06283301190	MAZAK® NOZZLE PENCIL Ø 1.0 CP		
	201035CKV	06283301190	MAZAK® NOZZLE PENCIL Ø 1.0 CP		
	201036CK	36143312220	MAZAK® NOZZLE PENCIL Ø 1.2 CP		
	201036CKV	36143312220	MAZAK® NOZZLE PENCIL Ø 1.2 CP		
	201037CK	36143312230	MAZAK® NOZZLE PENCIL Ø 1.5 CP		
	201037CKV	36143312230	MAZAK® NOZZLE PENCIL Ø 1.5 CP		
	201038CK	Q6143300060	MAZAK® NOZZLE PENCIL Ø 1.8 CP		
	201038CKV	Q6143300060	MAZAK® NOZZLE PENCIL Ø 1.8 CP		
	201039CK	36143312240	MAZAK® NOZZLE PENCIL Ø 2.0 CP		
	201039CKV	36143312240	MAZAK® NOZZLE PENCIL Ø 2.0 CP		
	201040CK		MAZAK® NOZZLE PENCIL Ø 2.2 CP		
	201040CKV		MAZAK® NOZZLE PENCIL Ø 2.2 CP		
	201041CK	36143312250	MAZAK® NOZZLE PENCIL Ø 2.5 CP		
	201041CKV	36143312250	MAZAK® NOZZLE PENCIL Ø 2.5 CP		
	201042CK	36143312260	MAZAK® NOZZLE PENCIL Ø 3.0 CP		
	201042CKV	36143312260	MAZAK® NOZZLE PENCIL Ø 3.0 CP		
	201043CK	36143312270	MAZAK® NOZZLE PENCIL Ø 3.5 CP		
	201043CKV	36143312270	MAZAK® NOZZLE PENCIL Ø 3.5 CP		
	201044CK	36143312280	MAZAK® NOZZLE PENCIL Ø 4.0 CP		
	201044CKV	36143312280	MAZAK® NOZZLE PENCIL Ø 4.0 CP		
	201045CK	06143355590	MAZAK® NOZZLE PENCIL Ø 4.5 CP		
	201045CKV	06143355590	MAZAK® NOZZLE PENCIL Ø 4.5 CP		
	201046CK	06283301030	MAZAK® NOZZLE PENCIL Ø 5.0 CP		
	201046CKV	06283301030	MAZAK® NOZZLE PENCIL Ø 5.0 CP		
	201047CK	06143355600	MAZAK® NOZZLE PENCIL Ø 5.5 CP		
	201047CKV	06143355600	MAZAK® NOZZLE PENCIL Ø 5.5 CP		

Replacement parts suitable for MAZAK®



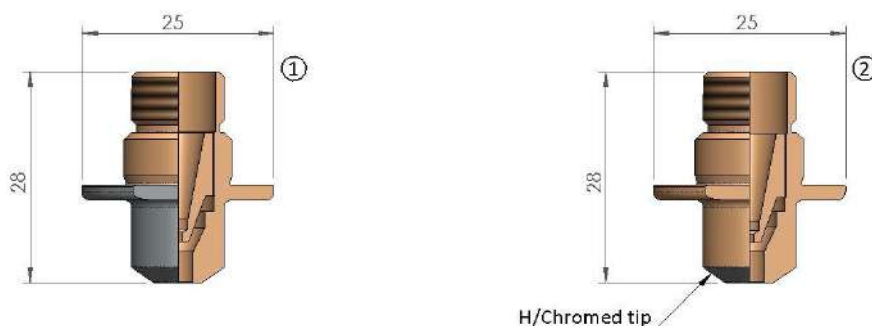
POS	CODE	ORIGINAL CODE	DESCRIPTION	unit price	5 pack price
1	201062C		MAZAK® DOUBLE NOZZLE PENCIL Ø 0.8 CP		
	201062CV		MAZAK® DOUBLE NOZZLE PENCIL Ø 0.8 CP		
	201063C		MAZAK® DOUBLE NOZZLE PENCIL Ø 1.0 CP		
	201063CV		MAZAK® DOUBLE NOZZLE PENCIL Ø 1.0 CP		
	201064C	Q6143300080	MAZAK® DOUBLE NOZZLE PENCIL Ø 1.2 CP		
	201064CV	Q6143300080	MAZAK® DOUBLE NOZZLE PENCIL Ø 1.2 CP		
	201065C	36143312300	MAZAK® DOUBLE NOZZLE PENCIL Ø 1.5 CP		
	201065CV	36143312300	MAZAK® DOUBLE NOZZLE PENCIL Ø 1.5 CP		
	201066C	36143312310	MAZAK® DOUBLE NOZZLE PENCIL Ø 1.8 CP		
	201066CV	36143312310	MAZAK® DOUBLE NOZZLE PENCIL Ø 1.8 CP		
	201067C	36143312311	MAZAK® DOUBLE NOZZLE PENCIL Ø 2.0 CP		
	201067CV	36143312311	MAZAK® DOUBLE NOZZLE PENCIL Ø 2.0 CP		
	201068C		MAZAK® DOUBLE NOZZLE PENCIL Ø 2.2 CP		
	201068CV		MAZAK® DOUBLE NOZZLE PENCIL Ø 2.2 CP		
	201069C	36143312320	MAZAK® DOUBLE NOZZLE PENCIL Ø 2.5 CP		
	201069CV	36143312320	MAZAK® DOUBLE NOZZLE PENCIL Ø 2.5 CP		
	201070C	36143312330	MAZAK® DOUBLE NOZZLE PENCIL Ø 3.0 CP		
	201070CV	36143312330	MAZAK® DOUBLE NOZZLE PENCIL Ø 3.0 CP		
	201071C	36143312340	MAZAK® DOUBLE NOZZLE PENCIL Ø 3.5 CP		
	201071CV	36143312340	MAZAK® DOUBLE NOZZLE PENCIL Ø 3.5 CP		
201072C	36143312350	MAZAK® DOUBLE NOZZLE PENCIL Ø 4.0 CP			
201072CV	36143312350	MAZAK® DOUBLE NOZZLE PENCIL Ø 4.0 CP			
201073C	Q6143312360	MAZAK® DOUBLE NOZZLE PENCIL Ø 4.5 CP			
201073CV	Q6143312360	MAZAK® DOUBLE NOZZLE PENCIL Ø 4.5 CP			
201074C	Q6143312370	MAZAK® DOUBLE NOZZLE PENCIL Ø 5.0 CP			
201074CV	Q6143312370	MAZAK® DOUBLE NOZZLE PENCIL Ø 5.0 CP			

Replacement parts suitable for MAZAK®



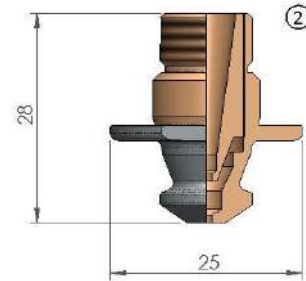
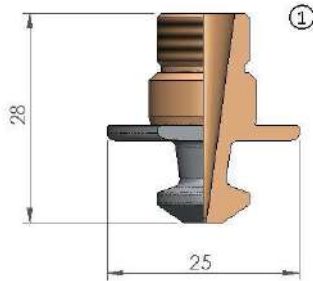
POS	CODE	ORIGINAL CODE	DESCRIPTION	unit price	5 pack price
1	201062CK		MAZAK® DOUBLE NOZZLE PENCIL Ø 0.8 CP		
	201062CKV		MAZAK® DOUBLE NOZZLE PENCIL Ø 0.8 CP		
	201063CK		MAZAK® DOUBLE NOZZLE PENCIL Ø 1.0 CP		
	201063CKV		MAZAK® DOUBLE NOZZLE PENCIL Ø 1.0 CP		
	201064CK	Q6143300080	MAZAK® DOUBLE NOZZLE PENCIL Ø 1.2 CP		
	201064CKV	Q6143300080	MAZAK® DOUBLE NOZZLE PENCIL Ø 1.2 CP		
	201065CK	36143312300	MAZAK® DOUBLE NOZZLE PENCIL Ø 1.5 CP		
	201065CKV	36143312300	MAZAK® DOUBLE NOZZLE PENCIL Ø 1.5 CP		
	201066CK	36143312310	MAZAK® DOUBLE NOZZLE PENCIL Ø 1.8 CP		
	201066CKV	36143312310	MAZAK® DOUBLE NOZZLE PENCIL Ø 1.8 CP		
	201067CK	36143312311	MAZAK® DOUBLE NOZZLE PENCIL Ø 2.0 CP		
	201067CKV	36143312311	MAZAK® DOUBLE NOZZLE PENCIL Ø 2.0 CP		
	201068CK		MAZAK® DOUBLE NOZZLE PENCIL Ø 2.2 CP		
	201068CKV		MAZAK® DOUBLE NOZZLE PENCIL Ø 2.2 CP		
	201069CK	36143312320	MAZAK® DOUBLE NOZZLE PENCIL Ø 2.5 CP		
	201069CKV	36143312320	MAZAK® DOUBLE NOZZLE PENCIL Ø 2.5 CP		
	201070CK	36143312330	MAZAK® DOUBLE NOZZLE PENCIL Ø 3.0 CP		
	201070CKV	36143312330	MAZAK® DOUBLE NOZZLE PENCIL Ø 3.0 CP		
	201071CK	36143312340	MAZAK® DOUBLE NOZZLE PENCIL Ø 3.5 CP		
	201071CKV	36143312340	MAZAK® DOUBLE NOZZLE PENCIL Ø 3.5 CP		
	201072CK	36143312350	MAZAK® DOUBLE NOZZLE PENCIL Ø 4.0 CP		
	201072CKV	36143312350	MAZAK® DOUBLE NOZZLE PENCIL Ø 4.0 CP		
	201073CK	Q6143312360	MAZAK® DOUBLE NOZZLE PENCIL Ø 4.5 CP		
	201073CKV	Q6143312360	MAZAK® DOUBLE NOZZLE PENCIL Ø 4.5 CP		
	201074CK	Q6143312370	MAZAK® DOUBLE NOZZLE PENCIL Ø 5.0 CP		
	201074CKV	Q6143312370	MAZAK® DOUBLE NOZZLE PENCIL Ø 5.0 CP		

Replacement parts suitable for MAZAK®



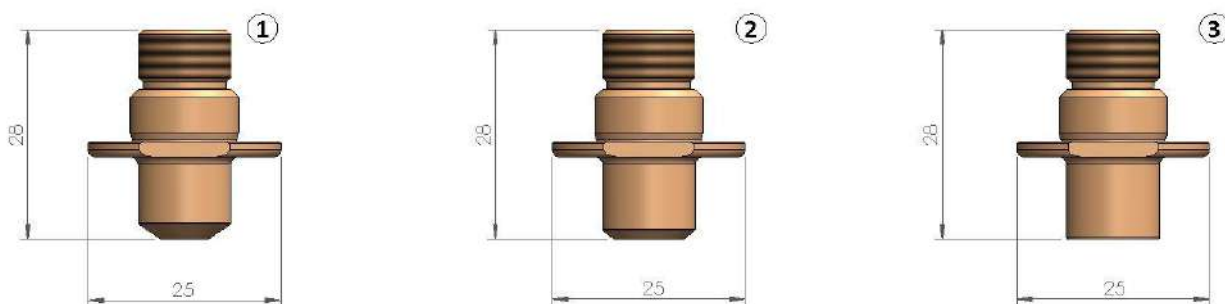
POS	CODE	ORIGINAL CODE	DESCRIPTION	unit price	5 pack price
1	201087C		MAZAK® DOUBLE NOZZLE PENCIL Ø 4.0-1.2 CP		
	201087CV		MAZAK® DOUBLE NOZZLE PENCIL Ø 4.0-1.2 CP		
	201088C	06143355360	MAZAK® DOUBLE NOZZLE PENCIL Ø 4.0-1.4 CP		
	201088CV	06143355360	MAZAK® DOUBLE NOZZLE PENCIL Ø 4.0-1.4 CP		
	201089C	06143355370	MAZAK® DOUBLE NOZZLE PENCIL Ø 4.0-1.8 CP		
	201089CV	06143355370	MAZAK® DOUBLE NOZZLE PENCIL Ø 4.0-1.8 CP		
	201090C	06283301050	MAZAK® DOUBLE NOZZLE PENCIL Ø 4.5-1.2 CP		
	201090CV	06283301050	MAZAK® DOUBLE NOZZLE PENCIL Ø 4.5-1.2 CP		
	201091C	06283301200	MAZAK® DOUBLE NOZZLE PENCIL Ø 5.0-1.2 CP		
	201091CV	06283301200	MAZAK® DOUBLE NOZZLE PENCIL Ø 5.0-1.2 CP		
	201092C	06283301210	MAZAK® DOUBLE NOZZLE PENCIL Ø 5.5-1.2 CP		
	201092CV	06283301210	MAZAK® DOUBLE NOZZLE PENCIL Ø 5.5-1.2 CP		
	201093C	06283301840	MAZAK® DOUBLE NOZZLE PENCIL Ø 5.5-2.0 CP		
	201093CV	06283301840	MAZAK® DOUBLE NOZZLE PENCIL Ø 5.5-2.0 CP		
2	201087CK		MAZAK® DOUBLE NOZZLE PENCIL Ø 4.0-1.2 CP		
	201087CKV		MAZAK® DOUBLE NOZZLE PENCIL Ø 4.0-1.2 CP		
	201088CK	06143355360	MAZAK® DOUBLE NOZZLE PENCIL Ø 4.0-1.4 CP		
	201088CKV	06143355360	MAZAK® DOUBLE NOZZLE PENCIL Ø 4.0-1.4 CP		
	201089CK	06143355370	MAZAK® DOUBLE NOZZLE PENCIL Ø 4.0-1.8 CP		
	201089CKV	06143355370	MAZAK® DOUBLE NOZZLE PENCIL Ø 4.0-1.8 CP		
	201090CK	06283301050	MAZAK® DOUBLE NOZZLE PENCIL Ø 4.5-1.2 CP		
	201090CKV	06283301050	MAZAK® DOUBLE NOZZLE PENCIL Ø 4.5-1.2 CP		
	201091CK	06283301200	MAZAK® DOUBLE NOZZLE PENCIL Ø 5.0-1.2 CP		
	201091CKV	06283301200	MAZAK® DOUBLE NOZZLE PENCIL Ø 5.0-1.2 CP		
	201092CK	06283301210	MAZAK® DOUBLE NOZZLE PENCIL Ø 5.5-1.2 CP		
	201092CKV	06283301210	MAZAK® DOUBLE NOZZLE PENCIL Ø 5.5-1.2 CP		
	201093CK	06283301840	MAZAK® DOUBLE NOZZLE PENCIL Ø 5.5-2.0 CP		
	201093CKV	06283301840	MAZAK® DOUBLE NOZZLE PENCIL Ø 5.5-2.0 CP		

Replacement parts suitable for MAZAK®

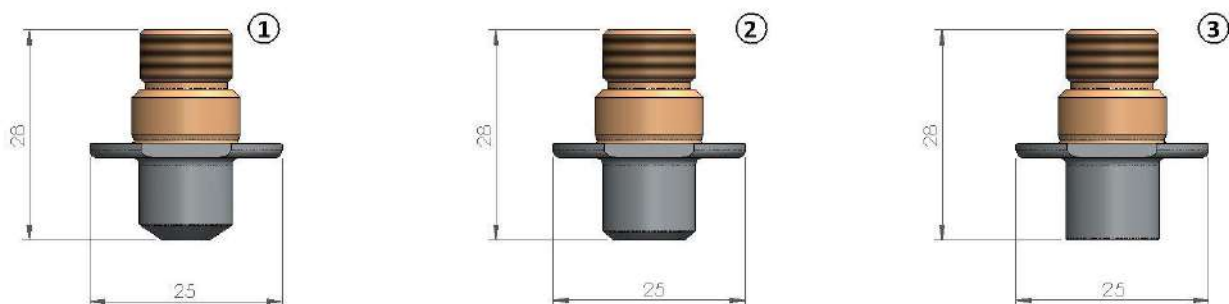


POS	CODE	ORIGINAL CODE	DESCRIPTION	unit price	5 pack price
1	201080C	06283301790	MAZAK® NOZZLE PENCIL Ø 1.0/HP CP		
	201080CV	06283301790	MAZAK® NOZZLE PENCIL Ø 1.0/HP CP		
	201081C	06283301800	MAZAK® NOZZLE PENCIL Ø 1.2HP CP		
	201081CV	06283301800	MAZAK® NOZZLE PENCIL Ø 1.2HP CP		
	201082C	06283301810	MAZAK® NOZZLE PENCIL Ø 1.5HP CP		
	201082CV	06283301810	MAZAK® NOZZLE PENCIL Ø 1.5HP CP		
2	201085C	06283301820	MAZAK® DOUBLE NOZZLE PENCIL Ø 1.5HP CP		
	201085CV	06283301820	MAZAK® DOUBLE NOZZLE PENCIL Ø 1.5HP CP		

Replacement parts suitable for MAZAK®

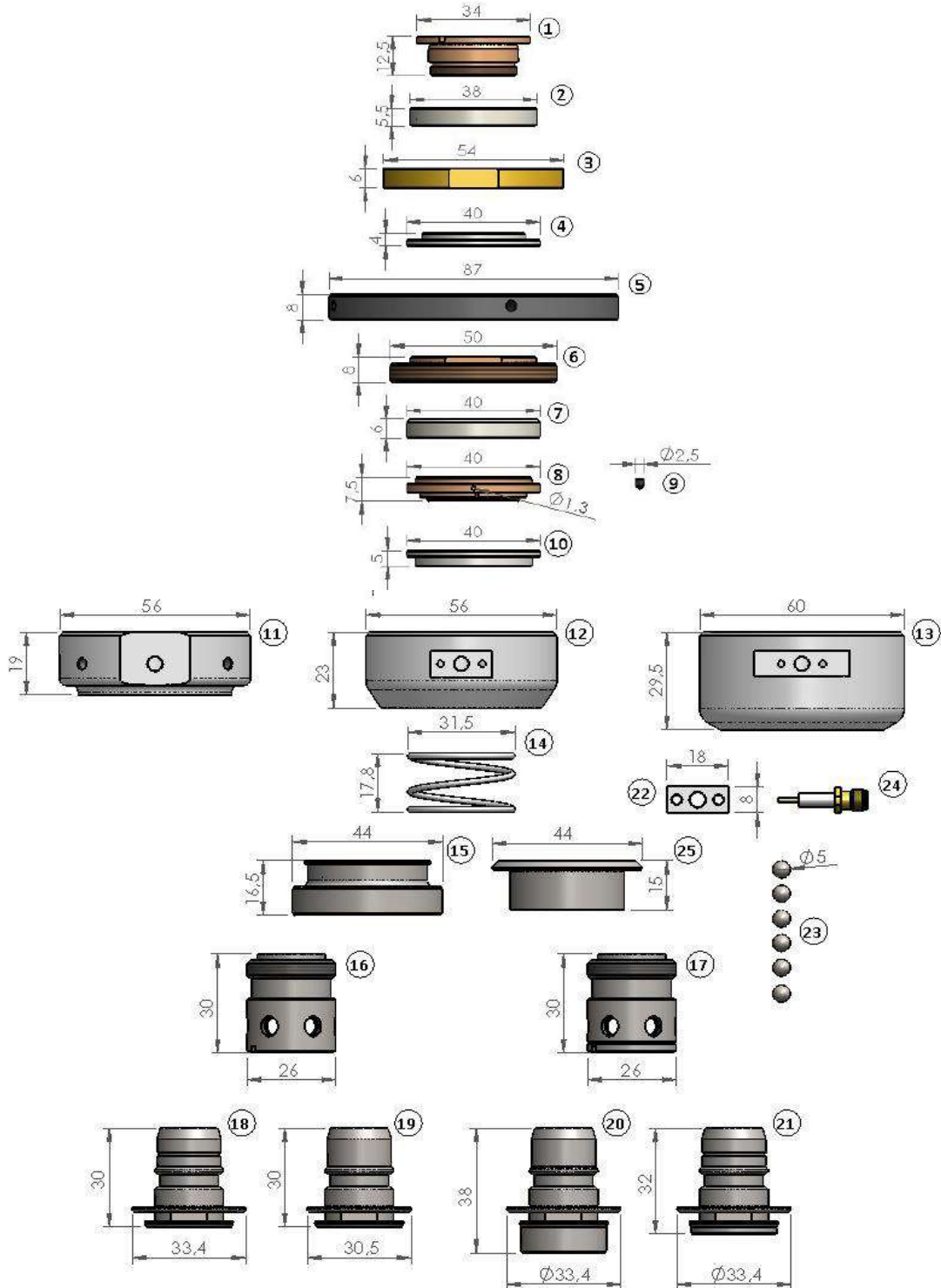


POS	CODE	ORIGINAL CODE	DESCRIPTION	unit price	5 pack price
1	206001		MAZAK® DOUBLE NOZZLE Ø 2.5 - SS		
	206002		MAZAK® DOUBLE NOZZLE Ø 3.0 - SS		
	206003		MAZAK® DOUBLE NOZZLE Ø 4.0 - SS		
2	206004		MAZAK® DOUBLE NOZZLE Ø 6.0 - SS		
3	206005		MAZAK® DOUBLE NOZZLE Ø 10.0 - SS		



POS	CODE	ORIGINAL CODE	DESCRIPTION	unit price	5 pack price
1	206001K		MAZAK® DOUBLE NOZZLE Ø 2.5 SPECIAL CP - SS		
	206002K		MAZAK® DOUBLE NOZZLE Ø 3.0 SPECIAL CP - SS		
	206003K		MAZAK® DOUBLE NOZZLE Ø 4.0 SPECIAL CP - SS		
2	206004K		MAZAK® DOUBLE NOZZLE Ø 6.0 SPECIAL CP - SS		
3	206005K		MAZAK® DOUBLE NOZZLE Ø 10.0 SPECIAL CP - SS		

Replacement parts suitable for MAZAK®

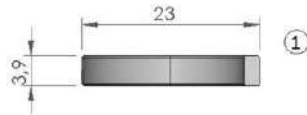


San Giorgio Plasma Parts srls is not affiliated with the named manufacturers. Reference to machines, parts, descriptions, and model numbers are for convenience in verifying compatibility only. All parts are made by or for San Giorgio Plasma Parts srls and are not made by the reference manufacturers (unless expressly indicated). All other trademarks are the properties of their respective owners."

Replacement parts suitable for MAZAK®

POS	CODE	ORIGINAL CODE	DESCRIPTION	unit price	10 pack price
1	209133	46143300280	MAZAK® H.G RETAINER NUT		
2	209112	46143300270	MAZAK® SPACER PTFE 38 x 5,5		
	209117	46143300270	MAZAK® SPACER MACOR 38X5.5		
	209122	46143312100	MAZAK®INSULATING PPS 38X5,5		
3	209105	46143300320	MAZAK® BRASS NUT 56mm		
4	209111	46143300260	MAZAK® SPACER PTFE 40 x 4		
	209116	46143300260	MAZAK® SPACER MACOR 40X4		
	209121	46143312130	MAZAK®INSULATING PPS 40x4		
5	209109	36143300332	MAZAK® H.G. RING ALUMINUM		
6	209135	46143300290	MAZAK® H.G RETAINER NUT M50		
7	209113	46143304440	MAZAK® SPACER PTFE 40 x 6		
	209118	46143304440	MAZAK® SPACER MACOR 40X6		
	209123	46143312170	MAZAK®INSULATING PPS 40X6		
8	209134	46143307421	MAZAK®H.G. RETAINER NUT		
9	209034	46683301180	MAZAK® BOLT		
10	209110	46143300240	MAZAK® SPACER PTFE 40 x 5		
	209115	46143300240	MAZAK® SPACER MACOR 40X5		
	209120	46143312120	MAZAK® INSULATING PPS 40x5		
11	209136	36143303242	MAZAK® H.G. BODY		
12	209125	36143307980	MAZAK® H.G. ALUMINUM BODY		
13	209128	36143310550	MAZAK® H.G. ALUMINUM BODY		
14	209127	46143300220	MAZAK® H.G. SPRING		
15	209126	46143308000	MAZAK® H.G. RETAINER SPRING STEEL		
16	209107	36143304400, 36143304401	MAZAK® H.G. COUPLER		
17	209106	36143310531	MAZAK® H.G. COUPLER		
18	209101	36143310522	MAZAK® H.G. NOZZLE HOLDER LARGE		
19	209103	36143304420	MAZAK® H.G. NOZZLE HOLDER		
20	209104	36143310740	MAZAK® H.G. NOZZLE HOLDER LONG		
21	209102	Q6283300040	MAZAK® H.G. NOZZLE HOLDER		
22	209129	46143308170	MAZAK® H.G. SPACER FOR CONNECTOR ALUMINUM		
23	209108	46143300230	MAZAK® H.G. BALL KIT REPLACEMENT 6pcs		
24	209130	46143308190	MAZAK® H.G CONNECTOR		
25	209100	36143310541 - 36143310542	MAZAK® H.G. RETAINER STEEL		

Replacement parts suitable for MAZAK®



POS	CODE	ORIGINAL CODE	DESCRIPTION	unit price	10 pack price
1	209124	46143312180	MAZAK® INSULATING 23X4		



POS	CODE	ORIGINAL CODE	DESCRIPTION	unit price	10 pack price
1	209212	46146608290	MAZAK® DOWNSIDE CABLE OF PREAMP BUILT-IN TYPE		

POS	CODE	ORIGINAL CODE	DESCRIPTION	unit price	10 pack price
1	209132	A06CB040200, A06CB040160	MAZAK® H.G. SET SCREW (4 PCS)		
2	209219		MAZAK® SCREW FOR HEAD CENTERING - 4 pcs		
3	209217	46603300030, A05GS002560	MAZAK® SCREWS (2 pcs)		