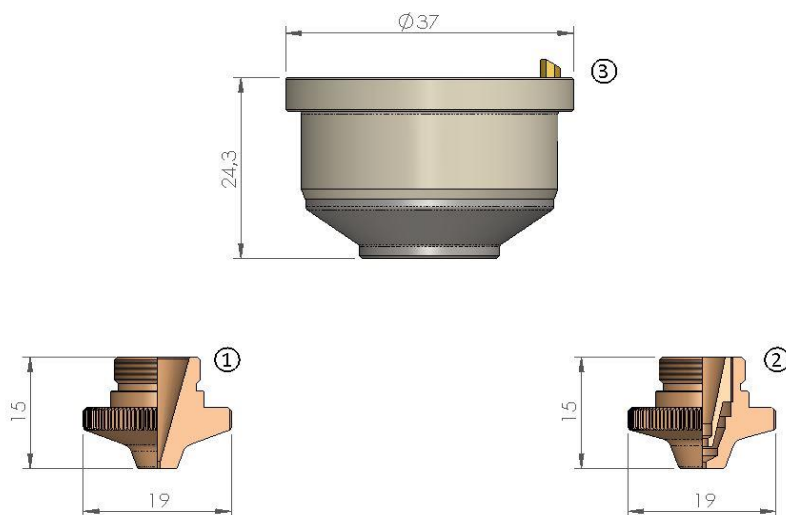


## Replacement parts suitable for HANKWANG®



POS	CODE	ORIGINAL CODE	DESCRIPTION	unit price	10 pack price
1	121001	NP08, MX-0988	HANKWANG® NOZZLE N Ø 0.8		
	121002	NP10, MX-0989	HANKWANG® NOZZLE N Ø 1.0		
	121003	NP12, MX-0990	HANKWANG® NOZZLE N Ø 1.2		
	121004	NP15, MX-0991	HANKWANG® NOZZLE N Ø 1.5		
	121005	NP18, MX-0993	HANKWANG® NOZZLE N Ø 1.8		
	121006	NP20, MX-0992	HANKWANG® NOZZLE N Ø 2.0		
	121007	NP25, MX-0994	HANKWANG® NOZZLE N Ø 2.5		
	121008	NP30, MX-0995	HANKWANG® NOZZLE N Ø 3.0		
2	121012	TP10	HANKWANG® DOUBLE NOZZLE N Ø 1.0		
	121013	TP15, HCH-TP1515	HANKWANG® DOUBLE NOZZLE N Ø 1.5		
	121014	TP20, HCH-TP1520	HANKWANG® DOUBLE NOZZLE N Ø 2.0		
	121015	TP25, HCH-TP1525	HANKWANG® DOUBLE NOZZLE N Ø 2.5		
	121016	TP30, HCH-TP2030	HANKWANG® DOUBLE NOZZLE N Ø 3.0		
	121017		HANKWANG® DOUBLE NOZZLE N Ø 4.0		
3	129001	HCH-S01201	HANKWANG® CERAMIC NOZZLE HOLDER		