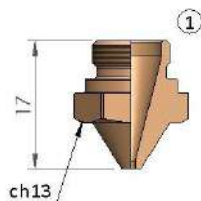
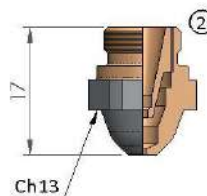
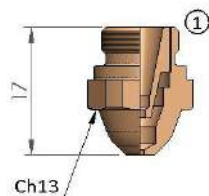


Replacement parts suitable for BYSTRONIC®



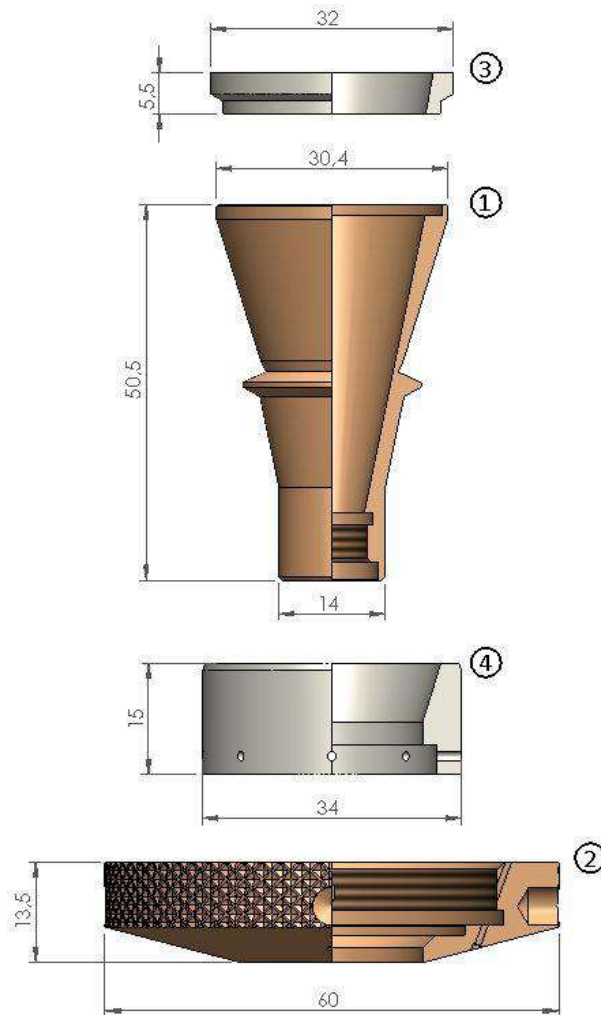
POS	CODE	ORIGINAL CODE	DESCRIPTION	unit price	10 pack price
1	151092W	3-01899 H10	BYSTRONIC® NOZZLE Ø 1.0 HD		
	151093W	3-01900 H12	BYSTRONIC® NOZZLE Ø 1.25 HD		
	151094W	3-01901 H15	BYSTRONIC® NOZZLE Ø 1.5 HD		
	151095W	3-01902 H17	BYSTRONIC® NOZZLE Ø 1.75 HD		
	151096W	3-01903 H20	BYSTRONIC® NOZZLE Ø 2.0 HD		



POS	CODE	ORIGINAL CODE	DESCRIPTION	unit price	10 pack price
1	151075W	N10-15	BYSTRONIC® DOUBLE NOZZLE Ø 1.0		
	151076W	N12-15	BYSTRONIC® DOUBLE NOZZLE Ø 1.25		
	151077W	N15-15	BYSTRONIC® DOUBLE NOZZLE Ø 1.5		
	151078W	N17-15	BYSTRONIC® DOUBLE NOZZLE Ø 1.75		
	151079W	N20-15	BYSTRONIC® DOUBLE NOZZLE Ø 2.0		
	151080W	N25-15	BYSTRONIC® DOUBLE NOZZLE Ø 2.5		
	151081W	N25-20	BYSTRONIC® DOUBLE NOZZLE Ø 2.5		
	151082W	N30-17	BYSTRONIC® DOUBLE NOZZLE Ø 3.0		
	151083W	N30-20	BYSTRONIC® DOUBLE NOZZLE Ø 3.0		
2	151075CW	N10-15	BYSTRONIC® DOUBLE NOZZLE Ø 1.0 CP		
	151076CW	N12-15	BYSTRONIC® DOUBLE NOZZLE Ø 1.25 CP		
	151077CW	N15-15	BYSTRONIC® DOUBLE NOZZLE Ø 1.5 CP		
	151078CW	N17-15	BYSTRONIC® DOUBLE NOZZLE Ø 1.75 CP		
	151079CW	N20-15	BYSTRONIC® DOUBLE NOZZLE Ø 2.0 CP		
	151080CW	N25-15	BYSTRONIC® DOUBLE NOZZLE Ø 2.5 CP		
	151081CW	N25-20	BYSTRONIC® DOUBLE NOZZLE Ø 2.5 CP		
	151082CW	N30-17	BYSTRONIC® DOUBLE NOZZLE Ø 3.0 CP		
	151083CW	N30-20	BYSTRONIC® DOUBLE NOZZLE Ø 3.0 CP		

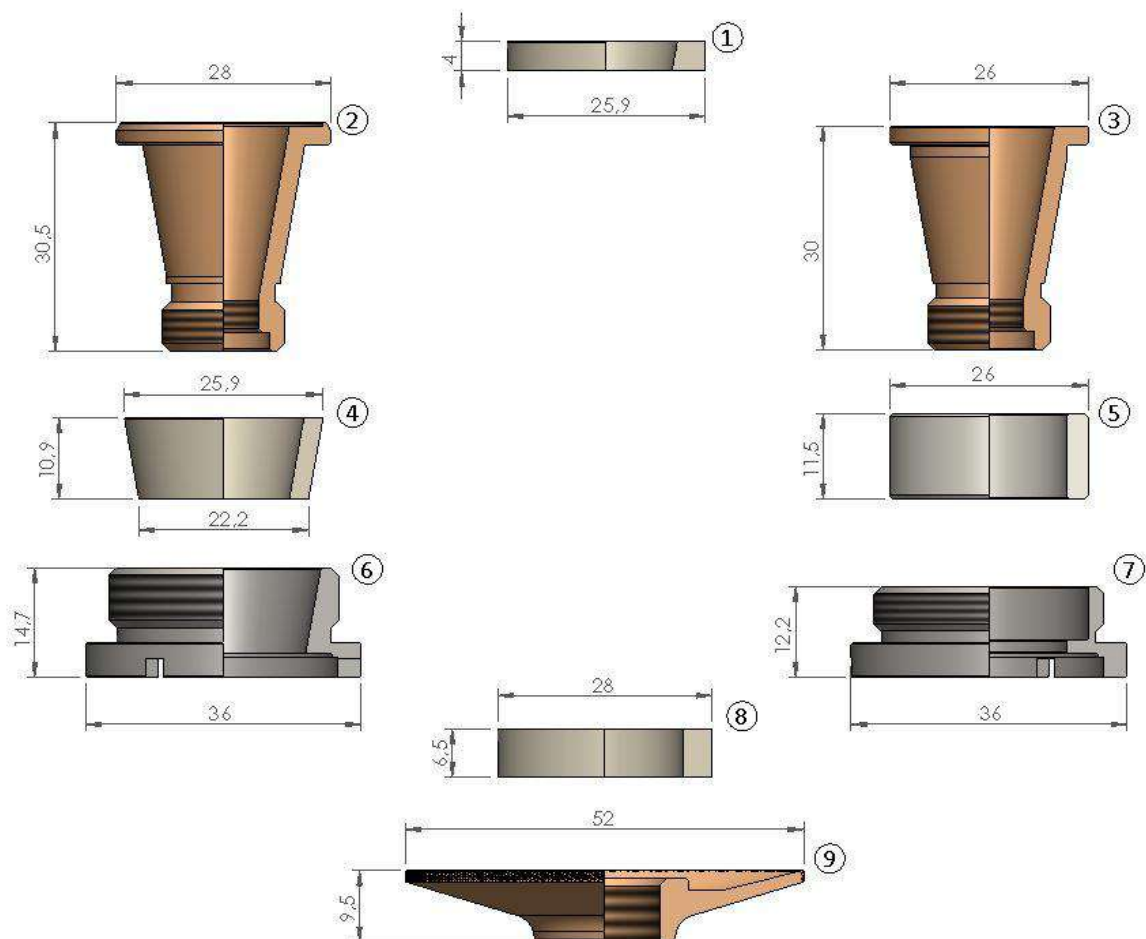
San Giorgio Plasma Parts srls is not affiliated with the named manufacturers. Reference to machines, parts, descriptions, and model numbers are for convenience in verifying compatibility only. All parts are made by or for San Giorgio Plasma Parts srls and are not made by the reference manufactures (unless expressly indicated). All other trademarks are the properties of their respective owners."

Replacement parts suitable for BYSTRONIC®



POS	CODE	ORIGINAL CODE	DESCRIPTION	unit price	10 pack price
1	159020	2-10837	BYSTRONIC® NOZZLE BODY		
2	159025	3-13110	BYSTRONIC® COPPER SHIELD		
3	159022	3-13113	BYSTRONIC® INSULATING RING		
4	159024	3-13422	BYSTRONIC® INSULATING RING WITH HOLES		

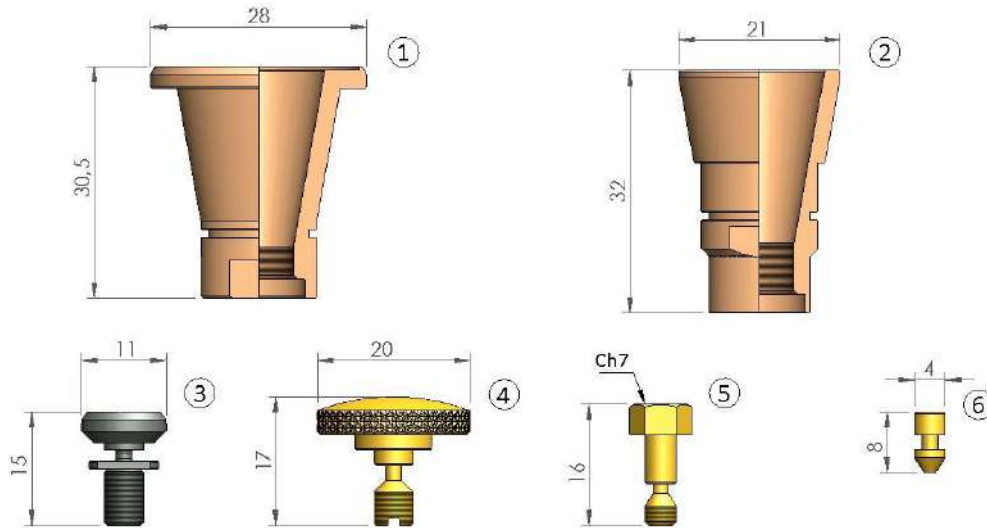
Replacement parts suitable for BYSTRONIC®



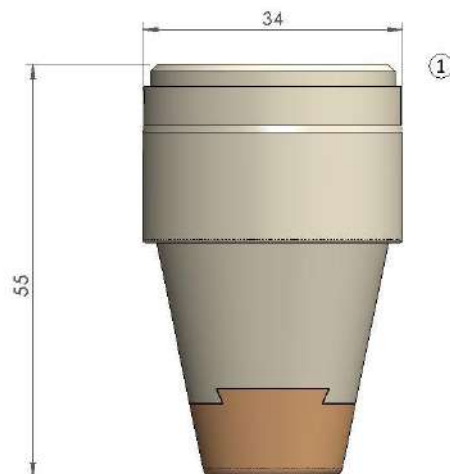
POS	CODE	ORIGINAL CODE	DESCRIPTION	unit price	10 pack price
1	159004	4-01642	BYSTRONIC® CERAMIC INSULATING DISC		
	159005	4-01642	BYSTRONIC® CERAMIC INSULATING DISC NEW VERSION		
2	159001	2-08701	BYSTRONIC® NOZZLE BODY		
3	159002	10032930	BYSTRONIC® NOZZLE BODY		
4	159006	4-01959	BYSTRONIC® CERAMIC CONE		
	159007	4-01959	BYSTRONIC® CERAMIC CONE - NEW VERSION		
5	159010	10032838	BYSTRONIC® CERAMIC INSULATING RING		
6	159013	3-11071	BYSTRONIC® FASTENING NUT		
7	159014	10032839	BYSTRONIC® FASTENING NUT		
8	159008	4-09010	BYSTRONIC® CERAMIC INSULATING RING		
9	159017	2-08700	BYSTRONIC® SIGNBOARD		

San Giorgio Plasma Parts srls is not affiliated with the named manufacturers. Reference to machines, parts, descriptions, and model numbers are for convenience in verifying compatibility only. All parts are made by or for San Giorgio Plasma Parts srls and are not made by the reference manufactures (unless expressly indicated). All other trademarks are the properties of their respective owners."

Replacement parts suitable for BYSTRONIC®



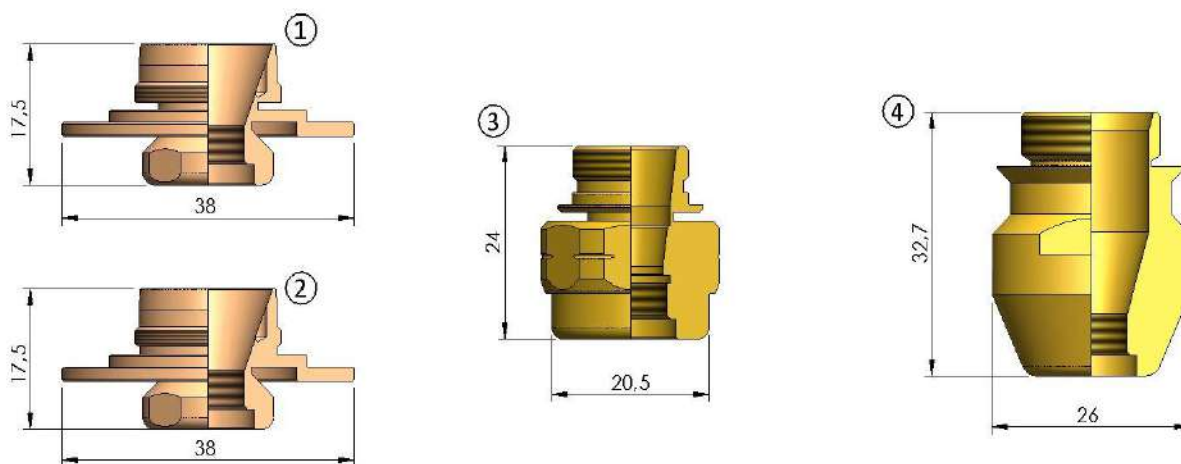
POS	CODE	ORIGINAL CODE	DESCRIPTION	unit price	10 pack price
1	159003	3-05497	BYSTRONIC® NOZZLE BODY		
2	159009	3-02291	BYSTRONIC® NOZZLE BODY		
3	159029	3-09001	BYSTRONIC® SCREW FOR CROSS-JET		
4	159028	4-03136	BYSTRONIC® KNURLED SCREW - BRASS		
5	159027	4-00324	BYSTRONIC® KNURLED SCREW		
6	159030	4-03137	BYSTRONIC® PIN		



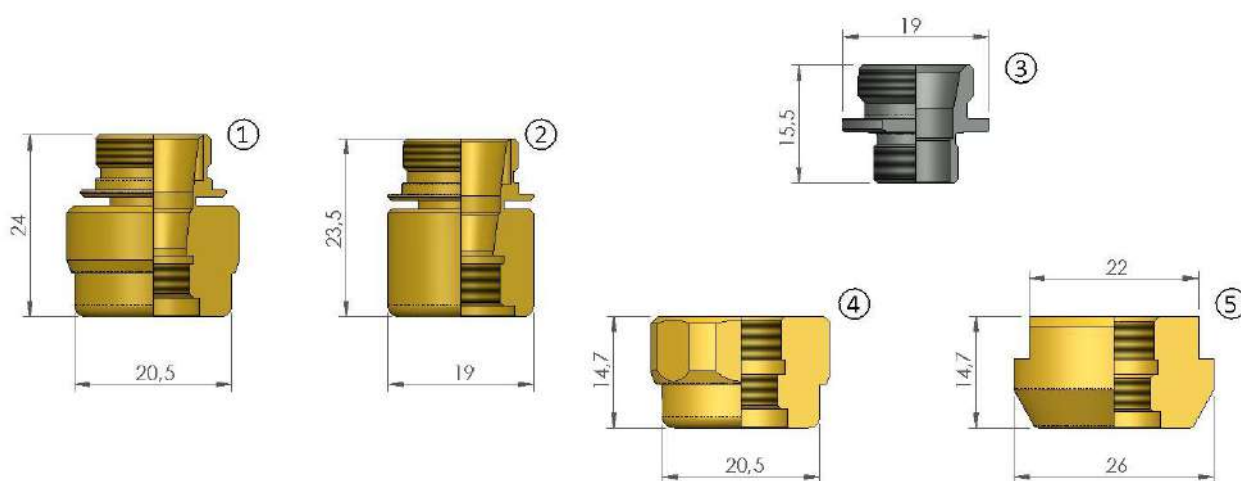
POS	CODE	ORIGINAL CODE	DESCRIPTION	unit price	10 pack price
	159052	10011659	BYSTRONIC® CERAMIC NOZZLE BODY	€ 100.00	

San Giorgio Plasma Parts srls is not affiliated with the named manufacturers. Reference to machines, parts, descriptions, and model numbers are for convenience in verifying compatibility only. All parts are made by or for San Giorgio Plasma Parts srls and are not made by the reference manufactures (unless expressly indicated). All other trademarks are the properties of their respective owners."

Replacement parts suitable for BYSTRONIC®



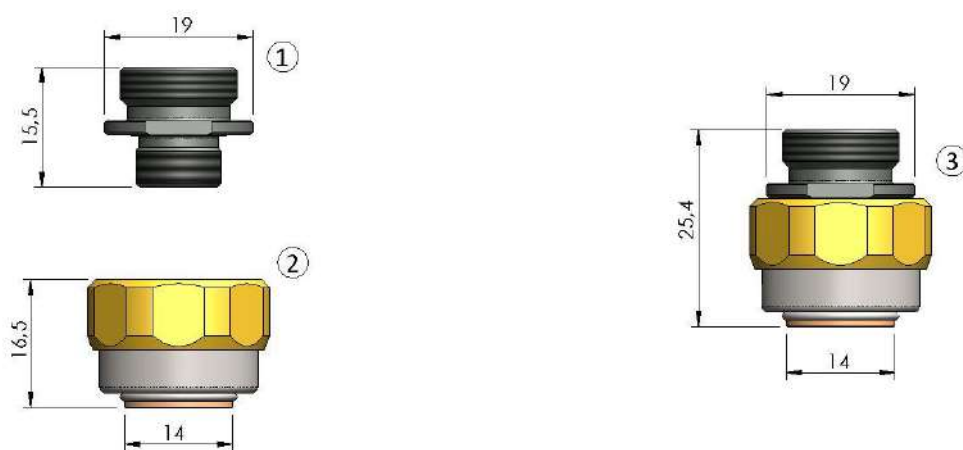
POS	CODE	ORIGINAL CODE	DESCRIPTION	unit price	10 pack price
1	159035	10051133	BYSTRONIC® ADAPTER mSB		
2	159034		BYSTRONIC® ADAPTER mSB		
3	159036	10064099	BYSTRONIC® NOZZLE BODY		
4	159033	10034061	BYSTRONIC® NOZZLE HOLDER		



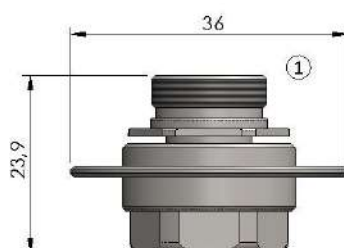
POS	CODE	ORIGINAL CODE	DESCRIPTION	unit price	10 pack price
1	159037		BYSTRONIC® NOZZLE BODY		
2	159038		BISTRONIC® NOZZLE BODY		
3	159041	10075057	BYSTRONIC® COUPLING		
4	159040	10071494-10083331	BYSTRONIC® NOZZLE BODY		
5	159039	10071494-10083331	BYSTRONIC® NOZZLE BODY		

San Giorgio Plasma Parts srls is not affiliated with the named manufacturers. Reference to machines, parts, descriptions, and model numbers are for convenience in verifying compatibility only. All parts are made by or for San Giorgio Plasma Parts srls and are not made by the reference manufactures (unless expressly indicated). All other trademarks are the properties of their respective owners."

Replacement parts suitable for BYSTRONIC®



POS	CODE	ORIGINAL CODE	DESCRIPTION	unit price	10 pack price
1	159041	10075057	BYSTRONIC® COUPLING		
2	159042	10074594	BYSTRONIC® PUSH FIT NOZZLE HOLDER		
3	159044	10083262	BYSTRONIC® PUSH FIT NOZZLE HOLDER COMPLETED		

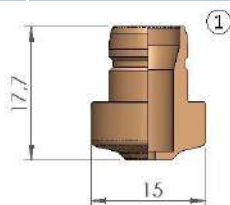


POS	CODE	ORIGINAL CODE	DESCRIPTION	unit price	10 pack price
1	159043		BYSTRONIC® NOZZLE BODY		

Replacement parts suitable for BYSTRONIC®

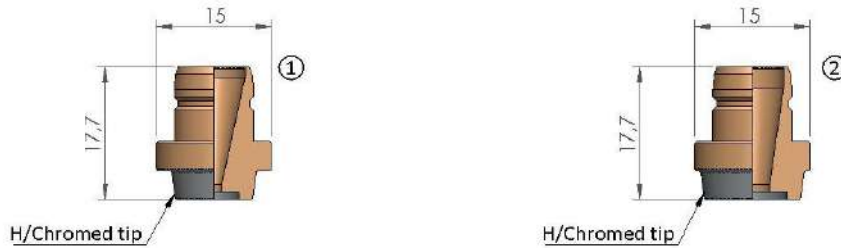


POS	CODE	ORIGINAL CODE	DESCRIPTION	unit price	10 pack price
1	152001W	10048529 HK08 C	BYSTRONIC® NOZZLE Ø 0.8		
	152002W	10035266 HK10 C	BYSTRONIC® NOZZLE Ø 1.0		
	152003W	10035267 HK12 C	BYSTRONIC® NOZZLE Ø 1.2		
	152004W	10035268 HK15 C	BYSTRONIC® NOZZLE Ø 1.5		
	152005W	10035269 HK17 C	BYSTRONIC® NOZZLE Ø 1.75		
	152006W	10035270 HK20 C	BYSTRONIC® NOZZLE Ø 2.0		
	152007W	10035271 HK25 C	BYSTRONIC® NOZZLE Ø 2.5		
	152008W	10035272 HK30 C	BYSTRONIC® NOZZLE Ø 3.0		
	152009W	10049744 HK35 C	BYSTRONIC® NOZZLE Ø 3.5		
2	152015W	10049747 NK1015 C	BYSTRONIC® DOUBLE NOZZLE Ø 1.0		
	152016W	10035275 NK1215 C	BYSTRONIC® DOUBLE NOZZLE Ø 1.2		
	152017W	10035278 NK1515 C	BYSTRONIC® DOUBLE NOZZLE Ø 1.5		
	152018W	10035290 NK1715 C	BYSTRONIC® DOUBLE NOZZLE Ø 1.75		
	152019W	10035292 NK2015 C	BYSTRONIC® DOUBLE NOZZLE Ø 2.0		
	152020W	10035294 NK2515 C	BYSTRONIC® DOUBLE NOZZLE Ø 2.5		
	152021W	10035296 NK2520 C	BYSTRONIC® DOUBLE NOZZLE Ø 2.5		
	152022W	10035298 NK3017 C	BYSTRONIC® DOUBLE NOZZLE Ø 3.0		
	152023W	10035301 NK3020 C	BYSTRONIC® DOUBLE NOZZLE Ø 3.0		
	152024W	10035303 NK3530 C	BYSTRONIC® DOUBLE NOZZLE Ø 3.5		
	152025W	10068496 NK3517 C	BYSTRONIC® DOUBLE NOZZLE Ø 3.5		
	152026W	10068496 NK4017 C	BYSTRONIC® DOUBLE NOZZLE Ø 4.0		



POS	CODE	ORIGINAL CODE	DESCRIPTION	unit price	10 pack price
1	152030W	10039202	BYSTRONIC® NOZZLE Ø 2.0		

Replacement parts suitable for BYSTRONIC®



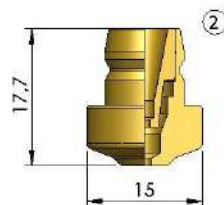
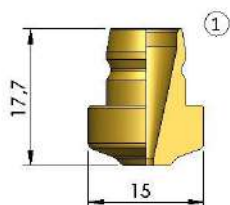
POS	CODE	ORIGINAL CODE	DESCRIPTION	unit price	10 pack price
1	152032CKW	10084700 F20 C	BYSTRONIC® NOZZLE F20 DW Ø 2.0 CP		
	152033CKW	10084701 F25 C	BYSTRONIC® NOZZLE F25 DW Ø 2.5 CP		
	152034CKW	10066333 F30 C	BYSTRONIC® NOZZLE F30 DW Ø 3.0 CP		
	152035CKW	10066332 35H 10090091 F35 C	BYSTRONIC® NOZZLE F35 DW Ø 3.5 CP		
2	152037CKW	10066331 F40 C	BYSTRONIC® NOZZLE F40 DW Ø 4.0 CP		
	152038CKW	10066330 F45 C	BYSTRONIC® NOZZLE F45 DW Ø 4.5 CP		
	152036CKW	10068494 50H 10090092 F50 C	BYSTRONIC® NOZZLE F50 DW Ø 5.0 CP		
	152039CKW	10086053 F55 C	BYSTRONIC® NOZZLE F55 DW Ø 5.5 CP		
	152040CKW	10086069 F60 C	BYSTRONIC® NOZZLE F60 DW Ø 6.0 CP		



POS	CODE	ORIGINAL CODE	DESCRIPTION	unit price	10 pack price
1	153001CKW	10089806 F20 S	BYSTRONIC® NOZZLE F20 Ø 2.0 CP		
	153002CKW	10089805 F25 S	BYSTRONIC® NOZZLE F25 Ø 2.5 CP		
	153003CKW	10089803 F30 S	BYSTRONIC® NOZZLE F30 Ø 3.0 CP		
	153004CKW	10090089 F35 S	BYSTRONIC® NOZZLE F35 Ø 3.5 CP		
2	153005CKW	10089802 F40 S	BYSTRONIC® NOZZLE F40 Ø 4.0 CP		
	153006CKW	10089800 F45 S	BYSTRONIC® NOZZLE F45 Ø 4.5 CP		
	153007CKW	10090090 F50 S	BYSTRONIC® NOZZLE F50 Ø 5.0 CP		
	153008CKW	10089799 F55 S	BYSTRONIC® NOZZLE F55 Ø 5.5 CP		
	153009CKW	10089798 F60 S	BYSTRONIC® NOZZLE F60 Ø 6.0 CP		

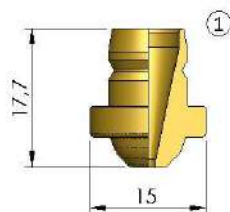
San Giorgio Plasma Parts srls is not affiliated with the named manufacturers. Reference to machines, parts, descriptions, and model numbers are for convenience in verifying compatibility only. All parts are made by or for San Giorgio Plasma Parts srls and are not made by the reference manufactures (unless expressly indicated). All other trademarks are the properties of their respective owners."

Replacement parts suitable for BYSTRONIC®

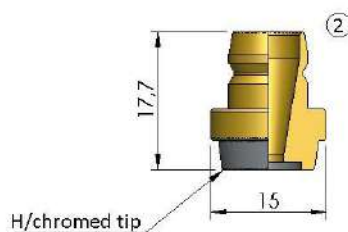
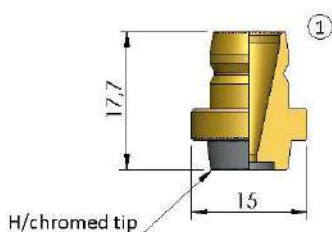


POS	CODE	ORIGINAL CODE	DESCRIPTION	unit price	10 pack price
1	154002W	10097507 HK10 P	BYSTRONIC® NOZZLE Ø 1.0		
	154003W	10097508 HK12 P	BYSTRONIC® NOZZLE Ø 1.2		
	154004W	10097509 HK15 P	BYSTRONIC® NOZZLE Ø 1.5		
	154005W	10097510 HK17 P	BYSTRONIC® NOZZLE Ø 1.7		
	154006W	10097511 HK20 P	BYSTRONIC® NOZZLE Ø 2.0		
	154007W	10097512 HK25 P	BYSTRONIC® NOZZLE Ø 2.5		
	154008W	10097513 HK30 P	BYSTRONIC® NOZZLE Ø 3.0		
	154009W	10097514 HK35 P	BYSTRONIC® NOZZLE Ø 3.5		
2	154015W	10097525 NK1015 P	BYSTRONIC® DOUBLE NOZZLE PRECISION Ø 1.0		
	154016W	10097528 NK1215 P	BYSTRONIC® DOUBLE NOZZLE PRECISION Ø 1.25		
	154017W	10097531 NK1515 P	BYSTRONIC® DOUBLE NOZZLE PRECISION Ø 1.5		
	154018W	10097533 NK1715 P	BYSTRONIC® DOUBLE NOZZLE PRECISION Ø 1.7		
	154019W	10119813 NK1717 P	BYSTRONIC® DOUBLE NOZZLE PRECISION Ø 1.7		
	154020W	10097534 NK2015 P	BYSTRONIC® DOUBLE NOZZLE PRECISION Ø 2.0		
	154021W	10097537 NK2515 P	BYSTRONIC® DOUBLE NOZZLE PRECISION Ø 2.5		
	154022W	10097543 NK3017 P	BYSTRONIC® DOUBLE NOZZLE PRECISION Ø 3.0		
	154023W	10097549 NK2520 P	BYSTRONIC® DOUBLE NOZZLE PRECISION Ø 2.5		
	154024W	10097551 NK3020 P	BYSTRONIC® DOUBLE NOZZLE PRECISION Ø 3.0		
	154025W	10097552 NK3530 P	BYSTRONIC® DOUBLE NOZZLE PRECISION Ø 3.5		
	154026W	10097553 NK3517 P	BYSTRONIC® DOUBLE NOZZLE PRECISION Ø 3.5		
	154027W	10097554 NK4017 P	BYSTRONIC® DOUBLE NOZZLE PRECISION Ø 4.0		

Replacement parts suitable for BYSTRONIC®

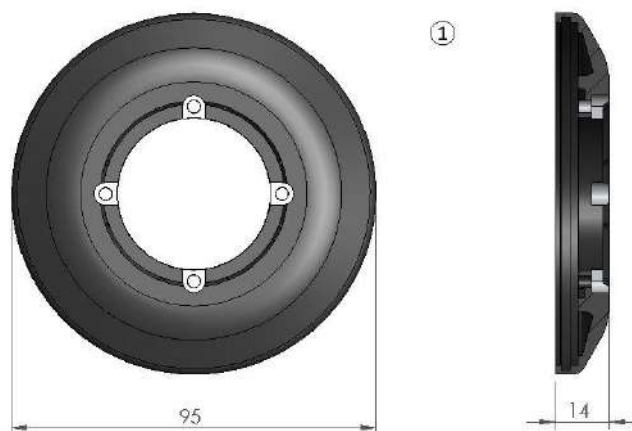


POS	CODE	ORIGINAL CODE	DESCRIPTION	unit price	10 pack price
1	154032W	10117151 H15 P	BYSTRONIC® NOZZLE Ø 1.5		
	154033W	10117153 H17 P	BYSTRONIC® NOZZLE Ø 1.7		
	154034W	10097541 H20 P	BYSTRONIC® NOZZLE Ø 2.0		
	154035W	10097542 H25 P	BYSTRONIC® NOZZLE Ø 2.5		
	154036W	10117154 H30 P	BYSTRONIC® NOZZLE Ø 3.0		
	154037W	10117152 H35 P	BYSTRONIC® NOZZLE Ø 3.5		

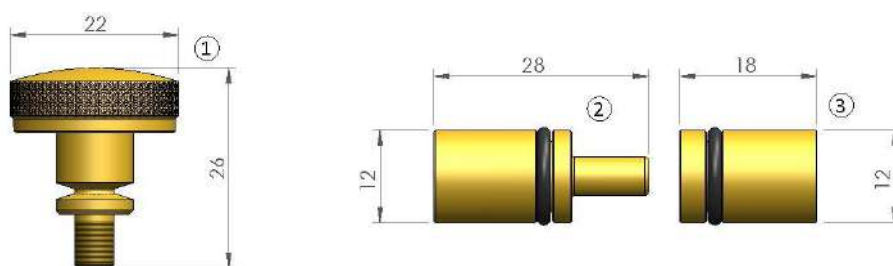


POS	CODE	ORIGINAL CODE	DESCRIPTION	unit price	10 pack price
1	154043CKW	10118050 F20 P	BYSTRONIC® NOZZLE F20 DW Ø 2.0 CP		
	154044CKW	10118051 F25 P	BYSTRONIC® NOZZLE F25 DW Ø 2.5 CP		
	154045CKW	10118057 F30 P	BYSTRONIC® NOZZLE F30 DW Ø 3.0 CP		
	154046CKW	10118052 F35 P	BYSTRONIC® NOZZLE F35 DW Ø 3.5 CP		
2	154047CKW	10118053 F40 P	BYSTRONIC® NOZZLE F40 DW Ø 4.0 CP		
	154048CKW	10118058 F45 P	BYSTRONIC® NOZZLE F45 DW Ø 4.5 CP		
	154049CKW	10118055 F50 P	BYSTRONIC® NOZZLE F50 DW Ø 5.0 CP		
	154050CKW	10118054 F55 P	BYSTRONIC® NOZZLE F55 DW Ø 5.5 CP		
	154051CKW	10118056 F60 P	BYSTRONIC® NOZZLE F60 DW Ø 6.0 CP		

Replacement parts suitable for BYSTRONIC®

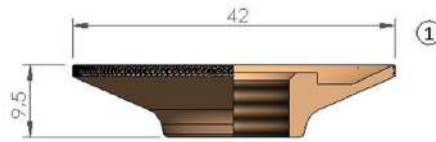


POS	CODE	ORIGINAL CODE	DESCRIPTION	unit price	10 pack price
1	159050	2-03243	BYSTRONIC® FRONT PLATE		



POS	CODE	ORIGINAL CODE	DESCRIPTION	unit price	10 pack price
1	159031	4-04976	BYSTRONIC® KNURLED SCREW		
2	159045	7023207	BYSTRONIC® MALE WATER CONNECTOR		
3	159046	7023208	BYSTRONIC® FEMALE WATER CONNECTOR		
2+3	159047	7023208, 7023207	BYSTRONIC® WATER CONNECTOR MALE + FEMALE		

Replacement parts suitable for BYSTRONIC®/CY®



POS	CODE	ORIGINAL CODE	DESCRIPTION	unit price	10 pack price
1	159018		CY® CL SIGNBOARD		