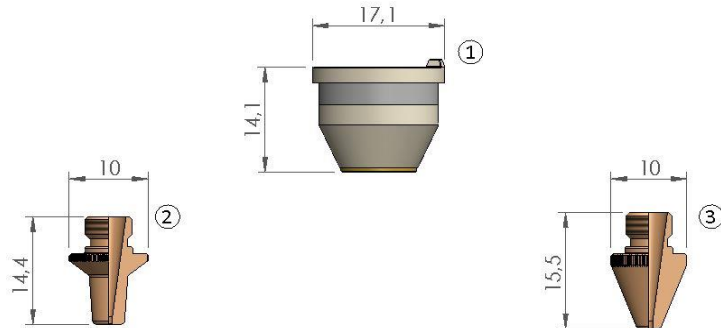
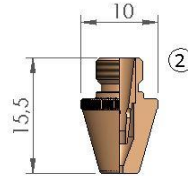
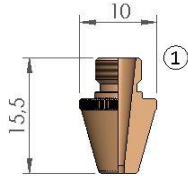


Replacement parts suitable for BLM®



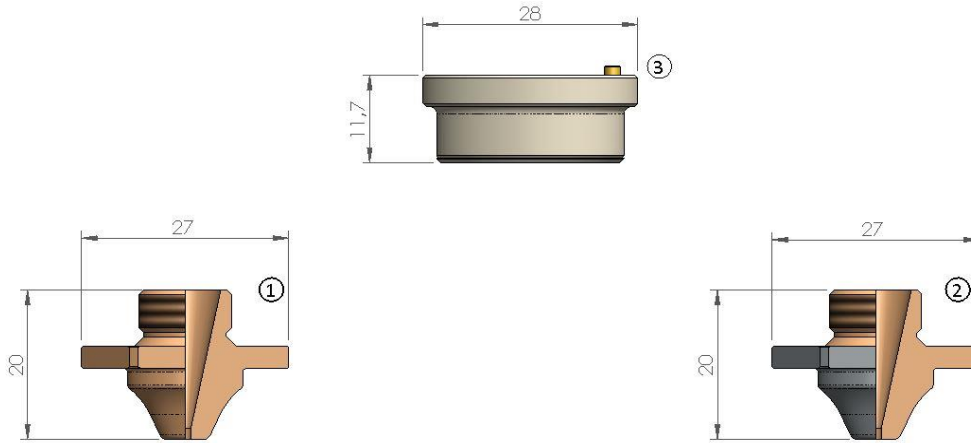
POS	CODE	ORIGINAL CODE	DESCRIPTION	unit price	10 pack price
1	059010	280408- -092405 P0494-752-00001	PRECITEC® ORIGINAL NOZZLE HOLDER KT M1,5" KN		
2	402001W	0455054	BLM® NOZZLE Ø 1.0		
	402002W	0455034	BLM® NOZZLE Ø 1.5		
	402003W	0455024	BLM® NOZZLE Ø 1.8		
	402004W	0455014	BLM® NOZZLE Ø 2.0		
	402005W	C50762A	BLM® NOZZLE Ø 2.5		
	402006W	455044	BLM® NOZZLE Ø 1.2		
3	402010W	6930250031/00	BLM® NOZZLE Ø 1.0 TCL		
	402011W	6930250032/00	BLM® NOZZLE Ø 1.2 TCL		
	402012W	6930250033/00	BLM® NOZZLE Ø 1.5 TCL		
	402013W	6930250034/00	BLM® NOZZLE Ø 1.8 TCL		
	402014W	6930250035/00	BLM® NOZZLE Ø 2.0 TCL		
	402015W	6930250043/00	BLM® NOZZLE Ø 2.3 TCL		
	402016W	6930250036/00	BLM® NOZZLE Ø 2.5 TCL		
402017W	6930250044/00	BLM® NOZZLE Ø 3.0 TCL			

Replacement parts suitable for BLM®



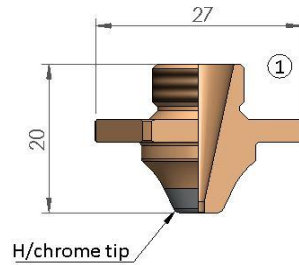
POS	CODE	ORIGINAL CODE	DESCRIPTION	unit price	10 pack price
1	402020W	6930250862	BLM® NOZZLE Ø 1.0 KNL		
	402021W	6930250863	BLM® NOZZLE Ø 1.2 KNL		
	402022W	6930250835	BLM® NOZZLE Ø 1.5 KNL		
	402023W	6930250864	BLM® NOZZLE Ø 1.8 KNL		
	402024W	6930250836	BLM® NOZZLE Ø 2.0 KNL		
	402025W		BLM® NOZZLE Ø 2.3 KNL		
	402026W	6930250865	BLM® NOZZLE Ø 2.5 KNL		
	402027W	6930250866	BLM® NOZZLE Ø 3.0 KNL		
2	402029W	6930250001/00	BLM® DOUBLE NOZZLE Ø 0.8 KNL		
	402030W	693025857	BLM® DOUBLE NOZZLE Ø 1.0 KNL		
	402031W	693025858	BLM® DOUBLE NOZZLE Ø 1.2 KNL		
	402032W	693025837	BLM® DOUBLE NOZZLE Ø 1.5 KNL		
	402033W	693025859	BLM® DOUBLE NOZZLE Ø 1.8 KNL		
	402034W	693025838	BLM® DOUBLE NOZZLE Ø 2.0 KNL		
	402035W		BLM® DOUBLE NOZZLE Ø 2.3 KNL		
	402036W	693025860	BLM® DOUBLE NOZZLE Ø 2.5 KNL		
	402037W	693025831	BLM® DOUBLE NOZZLE Ø 3.0 KNL		

Replacement parts suitable for BLM®



POS	CODE	ORIGINAL CODE	DESCRIPTION	unit price	10 pack price
1	401020	6930250800/00	BLM® NOZZLE SCB Ø 1.0		
	401021	6930250801/00	BLM® NOZZLE SCB Ø 1.2		
	401022	6930250802/00	BLM® NOZZLE SCB Ø 1.5		
	401023	6930250803/00	BLM® NOZZLE SCB Ø 1.8		
	401024	6930250804/00	BLM® NOZZLE SCB Ø 2.0		
	401025	6930250805/00	BLM® NOZZLE SCB Ø 2.3		
	401026	6930250806/00	BLM® NOZZLE SCB Ø 2.5		
	401027	6930250807/00	BLM® NOZZLE SCB Ø 3.0		
	401028	6930250808/00	BLM® NOZZLE SCB Ø 3.5		
	401029	6930250809/00	BLM® NOZZLE SCB Ø 4.0		
2	401020K	6930250800/00	BLM® NOZZLE SCB Ø 1.0 SPECIAL CP		
	401021K	6930250801/00	BLM® NOZZLE SCB Ø 1.2 SPECIAL CP		
	401022K	6930250802/00	BLM® NOZZLE SCB Ø 1.5 SPECIAL CP		
	401023K	6930250803/00	BLM® NOZZLE SCB Ø 1.8 SPECIAL CP		
	401024K	6930250804/00	BLM® NOZZLE SCB Ø 2.0 SPECIAL CP		
	401025K	6930250805/00	BLM® NOZZLE SCB Ø 2.3 SPECIAL CP		
	401026K	6930250806/00	BLM® NOZZLE SCB Ø 2.5 SPECIAL CP		
	401027K	6930250807/00	BLM® NOZZLE SCB Ø 3.0 SPECIAL CP		
	401028K	6930250808/00	BLM® NOZZLE SCB Ø 3.5 SPECIAL CP		
	401029K	6930250809/00	BLM® NOZZLE SCB Ø 4.0 SPECIAL CP		
3	409001	6930003224/00	BLM® NOZZLE HOLDER		

Replacement parts suitable for BLM®



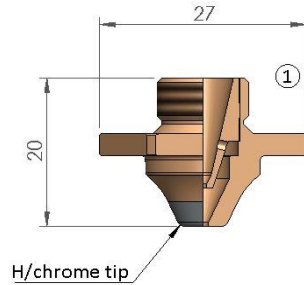
POS	CODE	ORIGINAL CODE	DESCRIPTION	unit price	10 pack price
1	401020CK	6930250800/00	BLM® NOZZLE SCB Ø 1.0 CP		
	401021CK	6930250801/00	BLM® NOZZLE SCB Ø 1.2 CP		
	401022CK	6930250802/00	BLM® NOZZLE SCB Ø 1.5 CP		
	401023CK	6930250803/00	BLM® NOZZLE SCB Ø 1.8 CP		
	401024CK	6930250804/00	BLM® NOZZLE SCB Ø 2.0 CP		
	401025CK	6930250805/00	BLM® NOZZLE SCB Ø 2.3 CP		
	401026CK	6930250806/00	BLM® NOZZLE SCB Ø 2.5 CP		
	401027CK	6930250807/00	BLM® NOZZLE SCB Ø 3.0 CP		
	401028CK	6930250808/00	BLM® NOZZLE SCB Ø 3.5 CP		
	401029CK	6930250809/00	BLM® NOZZLE SCB Ø 4.0 CP		

Replacement parts suitable for BLM®

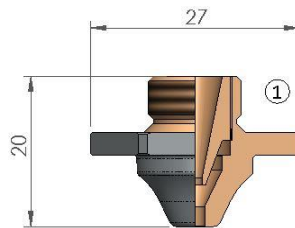


POS	CODE	ORIGINAL CODE	DESCRIPTION	unit price	10 pack price
1	401040	6930250810/00	BLM® DOUBLE NOZZLE D3F Ø 1.0		
	401041	6930250811/00	BLM® DOUBLE NOZZLE D3F Ø 1.2		
	401042	6930250812/00	BLM® DOUBLE NOZZLE D3F Ø 1.5		
	401043	6930250813/00	BLM® DOUBLE NOZZLE D3F Ø 1.8		
	401044	6930250814/00	BLM® DOUBLE NOZZLE D3F Ø 2.0		
	401045	6930250815/00	BLM® DOUBLE NOZZLE D3F Ø 2.3		
	401046	6930250816/00	BLM® DOUBLE NOZZLE D3F Ø 2.5		
	401047	6930250817/00	BLM® DOUBLE NOZZLE D3F Ø 3.0		
	401048	6930250818/00	BLM® DOUBLE NOZZLE D3F Ø 3.5		
2	401040K	6930250810/00	BLM® DOUBLE NOZZLE D3F Ø 1.0 SPECIAL CP		
	401041K	6930250811/00	BLM® DOUBLE NOZZLE D3F Ø 1.2 SPECIAL CP		
	401042K	6930250812/00	BLM® DOUBLE NOZZLE D3F Ø 1.5 SPECIAL CP		
	401043K	6930250813/00	BLM® DOUBLE NOZZLE D3F Ø 1.8 SPECIAL CP		
	401044K	6930250814/00	BLM® DOUBLE NOZZLE D3F Ø 2.0 SPECIAL CP		
	401045K	6930250815/00	BLM® DOUBLE NOZZLE D3F Ø 2.3 SPECIAL CP		
	401046K	6930250816/00	BLM® DOUBLE NOZZLE D3F Ø 2.5 SPECIAL CP		
	401047K	6930250817/00	BLM® DOUBLE NOZZLE D3F Ø 3.0 SPECIAL CP		
	401048K	6930250818/00	BLM® DOUBLE NOZZLE D3F Ø 3.5 SPECIAL CP		

Replacement parts suitable for BLM®



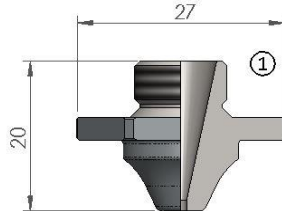
POS	CODE	ORIGINAL CODE	DESCRIPTION	unit price	10 pack price
1	401040CK	6930250810/00	BLM® DOUBLE NOZZLE D3F Ø 1.0 CP		
	401041CK	6930250811/00	BLM® DOUBLE NOZZLE D3F Ø 1.2 CP		
	401042CK	6930250812/00	BLM® DOUBLE NOZZLE D3F Ø 1.5 CP		
	401043CK	6930250813/00	BLM® DOUBLE NOZZLE D3F Ø 1.8 CP		
	401044CK	6930250814/00	BLM® DOUBLE NOZZLE D3F Ø 2.0 CP		
	401045CK	6930250815/00	BLM® DOUBLE NOZZLE D3F Ø 2.3 CP		
	401046CK	6930250816/00	BLM® DOUBLE NOZZLE D3F Ø 2.5 CP		
	401047CK	6930250817/00	BLM® DOUBLE NOZZLE D3F Ø 3.0 CP		
	401048CK	6930250818/00	BLM® DOUBLE NOZZLE D3F Ø 3.5 CP		



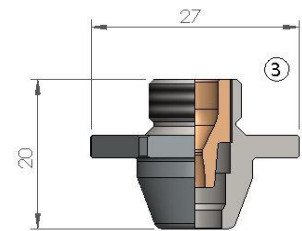
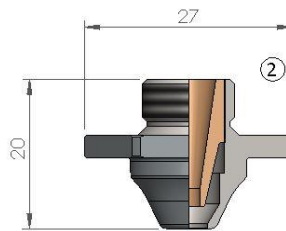
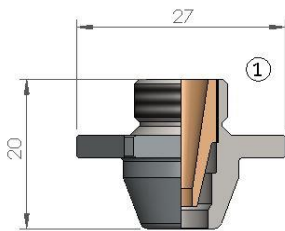
POS	CODE	ORIGINAL CODE	DESCRIPTION	unit price	10 pack price
1	401055K	6930250840	BLM® DOUBLE NOZZLE ACB Ø 2.5 SPECIAL CP	€ 5.90	
	401058K	6930250839	BLM® DOUBLE NOZZLE ACB Ø 4.0 SPECIAL CP	€ 5.90	

San Giorgio Plasma Parts srls is not affiliated with the named manufacturers. Reference to machines, parts, descriptions, and model numbers are for convenience in verifying compatibility only. All parts are made by or for San Giorgio Plasma Parts srls and are not made by the reference manufactures (unless expressly indicated). All other trademarks are the properties of their respective owners."

Replacement parts suitable for BLM®



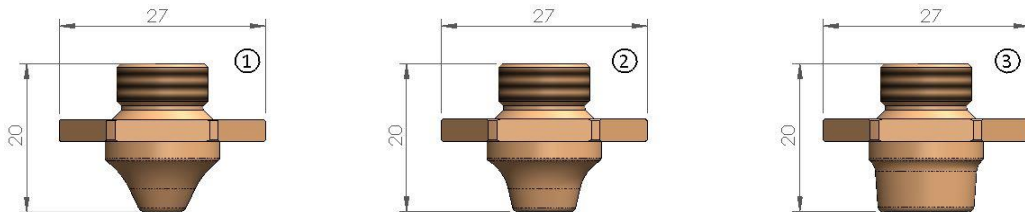
POS	CODE	ORIGINAL CODE	DESCRIPTION	unit price	10 pack price
1	401005K	6930250820/00	BLM® NOZZLE NCB Ø 1.5 SPECIAL CP		
	401006K	6930250821/00	BLM® NOZZLE NCB Ø 1.8 SPECIAL CP		
	401007K	6930250822/00	BLM® NOZZLE NCB Ø 2.0 SPECIAL CP		
	401008K	6930250823/00	BLM® NOZZLE NCB Ø 2.3 SPECIAL CP		
	401009K	6930250824/00	BLM® NOZZLE NCB Ø 2.5 SPECIAL CP		
	401010K	6930250825/00	BLM® NOZZLE NCB Ø 3.0 SPECIAL CP		
	401011K	6930250826/00	BLM® NOZZLE NCB Ø 3.5 SPECIAL CP		
	401012K	6930250827/00	BLM® NOZZLE NCB Ø 4.0 SPECIAL CP		



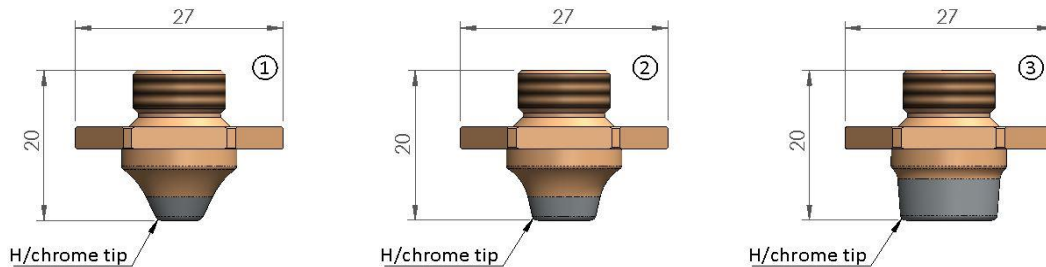
POS	CODE	ORIGINAL CODE	DESCRIPTION	unit price	10 pack price
1	401016K	6930250819	BLM® DOUBLE NOZZLE NCB Ø 7.0 SPECIAL CP		
2	401017K	6930250841	BLM® DOUBLE NOZZLE NCB Ø 5.0 SPECIAL CP		
3	401018K		BLM® DOUBLE NOZZLE QCB Ø 7.0 SPECIAL CP		

San Giorgio Plasma Parts srls is not affiliated with the named manufacturers. Reference to machines, parts, descriptions, and model numbers are for convenience in verifying compatibility only. All parts are made by or for San Giorgio Plasma Parts srls and are not made by the reference manufactures (unless expressly indicated). All other trademarks are the properties of their respective owners."

Replacement parts suitable for BLM®



POS	CODE	ORIGINAL CODE	DESCRIPTION	unit price	10 pack price
1	406001		BLM® DOUBLE NOZZLE Ø 2.5 - SS		
	406002		BLM® DOUBLE NOZZLE Ø 3.0 - SS		
	406003		BLM® DOUBLE NOZZLE Ø 4.0 - SS		
2	406004		BLM® DOUBLE NOZZLE Ø 6.0 - SS		
3	406005		BLM® DOUBLE NOZZLE Ø 10.0 - SS		



POS	CODE	ORIGINAL CODE	DESCRIPTION	unit price	10 pack price
1	406001CK		BLM® DOUBLE NOZZLE Ø 2.5 CP - SS		
	406002CK		BLM® DOUBLE NOZZLE Ø 3.0 CP - SS		
	406003CK		BLM® DOUBLE NOZZLE Ø 4.0 CP - SS		
2	406004CK		BLM® DOUBLE NOZZLE Ø 6.0 CP - SS		
3	406005CK		BLM® DOUBLE NOZZLE Ø 10.0 CP - SS		

San Giorgio Plasma Parts srls is not affiliated with the named manufacturers. Reference to machines, parts, descriptions, and model numbers are for convenience in verifying compatibility only. All parts are made by or for San Giorgio Plasma Parts srls and are not made by the reference manufactures (unless expressly indicated). All other trademarks are the properties of their respective owners."