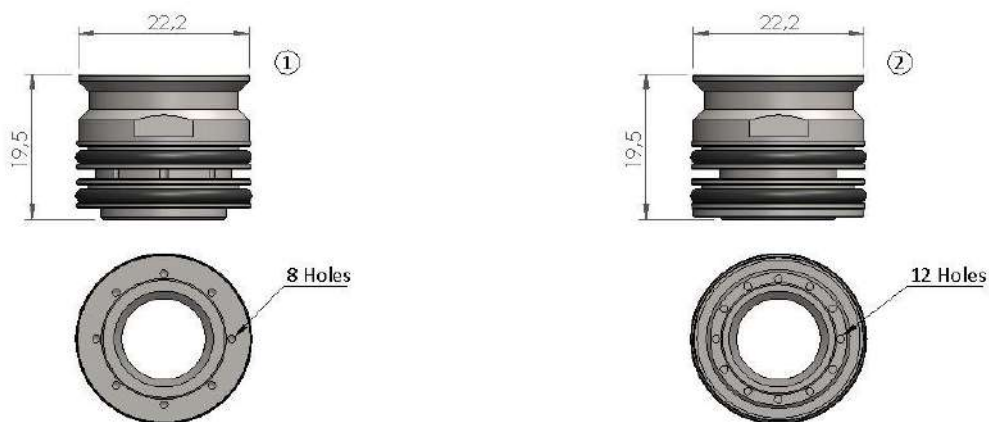
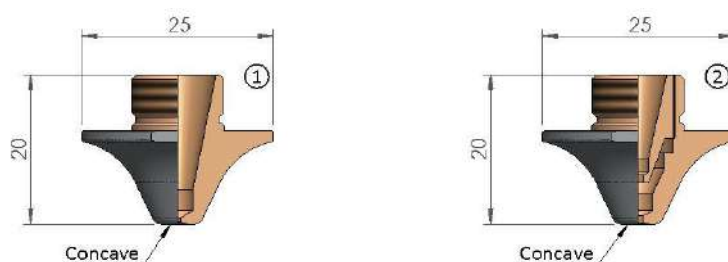


Replacement parts suitable for AMADA®



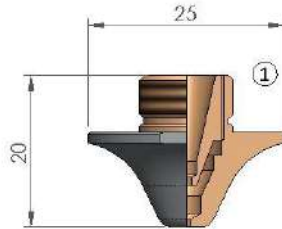
POS	CODE	ORIGINAL CODE	DESCRIPTION	unit price	10 pack price
1	109003	71502036	AMADA® NOZZLE ADAPTOR WITH 8 HOLES		
2	109004	71502036	AMADA® NOZZLE ADAPTOR WITH 12 HOLES		



POS	CODE	ORIGINAL CODE	DESCRIPTION	unit price	10 pack price
1	101030C		AMADA® NOZZLE Ø S0.8 CP W/CONCAVE		
	101030CW		AMADA® NOZZLE Ø S0.8 CP W/CONCAVE		
	101031C		AMADA® NOZZLE Ø S1.0 CP W/CONCAVE		
	101031CW		AMADA® NOZZLE Ø S1.0 CP W/CONCAVE		
	101032C		AMADA® NOZZLE Ø S1.2 CP W/CONCAVE		
	101032CW		AMADA® NOZZLE Ø S1.2 CP W/CONCAVE		
2	101037C		AMADA® DOUBLE NOZZLE Ø D1.4 CP W/CONCAVE		
	101037CW		AMADA® DOUBLE NOZZLE Ø D1.4 CP W/CONCAVE		

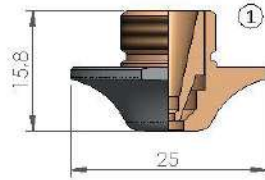
San Giorgio Plasma Parts srls is not affiliated with the named manufacturers. Reference to machines, parts, descriptions, and model numbers are for convenience in verifying compatibility only. All parts are made by or for San Giorgio Plasma Parts srls and are not made by the reference manufactures (unless expressly indicated). All other trademarks are the properties of their respective owners."

Replacement parts suitable for AMADA®

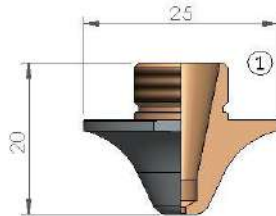


POS	CODE	ORIGINAL CODE	DESCRIPTION	unit price	10 pack price
1	101040C	1572361	AMADA® DOUBLE NOZZLE Ø D1.2 CP		
	101040CW	1572361	AMADA® DOUBLE NOZZLE Ø D1.2 CP		
	101041C	71369813, 71502038, 71341779, 71518550	AMADA® DOUBLE NOZZLE Ø D1.4 CP		
	101041CW	71369813, 71502038, 71341779, 71518550	AMADA® DOUBLE NOZZLE Ø D1.4 CP		
	101042C	1572361, 71518548, 1572380	AMADA® DOUBLE NOZZLE Ø D1.7 CP		
	101042CW	1572361, 71518548, 1572380	AMADA® DOUBLE NOZZLE Ø D1.7 CP		
	101043C	1572361	AMADA® DOUBLE NOZZLE Ø D2.0 CP		
	101043CW	1572361	AMADA® DOUBLE NOZZLE Ø D2.0 CP		
	101044C	71501059-71515394-71516789-1576398-73CF	AMADA® DOUBLE NOZZLE Ø D2.5 CP		
	101044CW	71501059-71515394-71516789-1576398-73CF	AMADA® DOUBLE NOZZLE Ø D2.5 CP		
	101045C	1572361	AMADA® DOUBLE NOZZLE Ø D3.0 CP		
	101045CW	1572361	AMADA® DOUBLE NOZZLE Ø D3.0 CP		
	101046C	71501060, 71515395, 1576399	AMADA® DOUBLE NOZZLE Ø D4.0 CP		
	101046CW	71501060, 71515395, 1576399	AMADA® DOUBLE NOZZLE Ø D4.0 CP		
	101047C		AMADA® DOUBLE NOZZLE Ø D4.0 CP INNER D2.0		
	101047CW		AMADA® DOUBLE NOZZLE Ø D4.0 CP INNER D2.0		
	101048C	1572361	AMADA® DOUBLE NOZZLE Ø D5.0 CP		
	101048CW	1572361	AMADA® DOUBLE NOZZLE Ø D5.0 CP		
	101049C		AMADA® DOUBLE NOZZLE Ø D6.0 CP		
	101049CW		AMADA® DOUBLE NOZZLE Ø D6.0 CP		

Replacement parts suitable for AMADA®



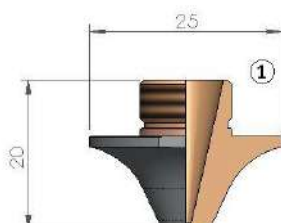
POS	CODE	ORIGINAL CODE	DESCRIPTION	unit price	10 pack price
1	101027C		AMADA® DOUBLE NOZZLE SHORT Ø D4.0 CP		
	101027CW		AMADA® DOUBLE NOZZLE SHORT Ø D4.0 CP		
	101028C		AMADA® DOUBLE NOZZLE SHORT Ø D5.0 CP		
	101028CW		AMADA® DOUBLE NOZZLE SHORT Ø D5.0 CP		
	101029C		AMADA® DOUBLE NOZZLE SHORT Ø D6.0 CP		
	101029CW		AMADA® DOUBLE NOZZLE SHORT Ø D6.0 CP		



POS	CODE	ORIGINAL CODE	DESCRIPTION	unit price	10 pack price
1	101050C	1572362, 71563584	AMADA® NOZZLE Ø 0.8 CP		
	101050CW	1572362, 71563584	AMADA® NOZZLE Ø 0.8 CP		
	101051C	1572367A, 71563585	AMADA® NOZZLE Ø 1.0 CP		
	101051CW	1572367A, 71563585	AMADA® NOZZLE Ø 1.0 CP		
	101052C	71369812, 71461028, 71341778	AMADA® NOZZLE Ø 1.2 CP		
	101052CW	71369812, 71461028, 71341778	AMADA® NOZZLE Ø 1.2 CP		
	101053C	1572362	AMADA® NOZZLE Ø 1.4 CP		
	101053CW	1572362	AMADA® NOZZLE Ø 1.4 CP		
	101054C	1572362, 1572368B	AMADA® NOZZLE Ø 1.5 CP		
	101054CW	1572362, 1572368B	AMADA® NOZZLE Ø 1.5 CP		
	101055C	1572362	AMADA® NOZZLE Ø 1.7 CP		
	101055CW	1572362	AMADA® NOZZLE Ø 1.7 CP		
	101056C	71515392, 71369815	AMADA® NOZZLE Ø 2.0 CP		
	101056CW	71515392, 71369815	AMADA® NOZZLE Ø 2.0 CP		
	101057C		AMADA® NOZZLE Ø 2.5 CP		
	101057CW		AMADA® NOZZLE Ø 2.5 CP		
	101058C	71515393, 1576112	AMADA® NOZZLE Ø 3.0 CP		
	101058CW	71515393, 1576112	AMADA® NOZZLE Ø 3.0 CP		
	101059C	1572362	AMADA® NOZZLE Ø 4.0 CP		
	101059CW	1572362	AMADA® NOZZLE Ø 4.0 CP		

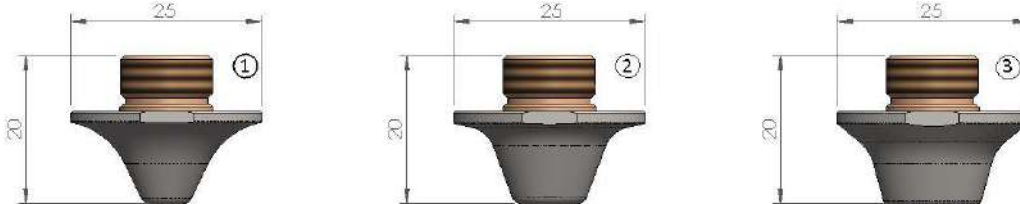
San Giorgio Plasma Parts srls is not affiliated with the named manufacturers. Reference to machines, parts, descriptions, and model numbers are for convenience in verifying compatibility only. All parts are made by or for San Giorgio Plasma Parts srls and are not made by the reference manufacturers (unless expressly indicated). All other trademarks are the properties of their respective owners."

Replacement parts suitable for AMADA®

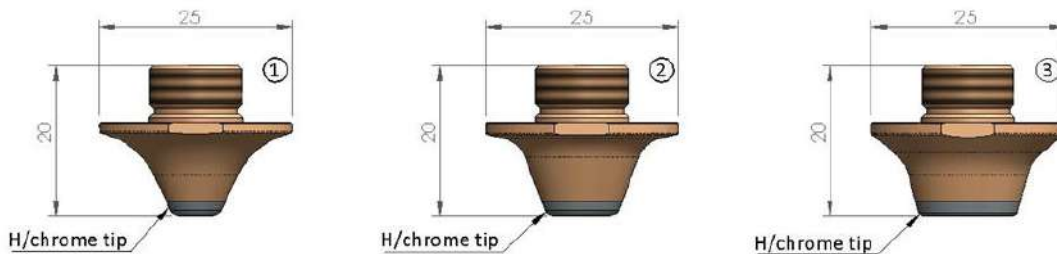


POS	CODE	ORIGINAL CODE	DESCRIPTION	unit price	10 pack price
1	101060C		AMADA® NOZZLE Ø 0.8 CP		
	101060CW		AMADA® NOZZLE Ø 0.8 CP		
	101061C		AMADA® NOZZLE Ø 1.0 CP		
	101061CW		AMADA® NOZZLE Ø 1.0 CP		
	101062C		AMADA® NOZZLE Ø 1.2 CP		
	101062CW		AMADA® NOZZLE Ø 1.2 CP		
	101063C		AMADA® NOZZLE Ø 1.4 CP		
	101063CW		AMADA® NOZZLE Ø 1.4 CP		
	101064C		AMADA® NOZZLE Ø 1.5 CP		
	101064CW		AMADA® NOZZLE Ø 1.5 CP		
	101065C		AMADA® NOZZLE Ø 1.7 CP		
	101065CW		AMADA® NOZZLE Ø 1.7 CP		
	101066C		AMADA® NOZZLE Ø 2.0 CP		
	101066CW		AMADA® NOZZLE Ø 2.0 CP		
	101067C		AMADA® NOZZLE Ø 2.3 CP		
	101067CW		AMADA® NOZZLE Ø 2.3 CP		
	101068C		AMADA® NOZZLE Ø 3.0 CP		
	101068CW		AMADA® NOZZLE Ø 3.0 CP		

Replacement parts suitable for AMADA®

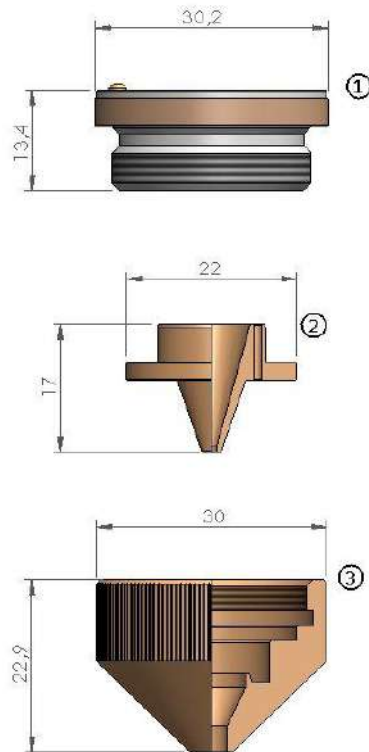


POS	CODE	ORIGINAL CODE	DESCRIPTION	unit price	10 pack price
1	106001C		AMADA® DOUBLE NOZZLE Ø 2.5 CP - SS		
	106002C		AMADA® DOUBLE NOZZLE Ø 3.0 CP - SS		
	106003C		AMADA® DOUBLE NOZZLE Ø 4.0 CP - SS		
2	106004C		AMADA® DOUBLE NOZZLE Ø 6.0 CP - SS		
3	106005C		AMADA® DOUBLE NOZZLE Ø 10.0 CP - SS		



POS	CODE	ORIGINAL CODE	DESCRIPTION	unit price	10 pack price
1	106001CK		AMADA® DOUBLE NOZZLE Ø 2.5 CP - SS		
	106002CK		AMADA® DOUBLE NOZZLE Ø 3.0 CP - SS		
	106003CK		AMADA® DOUBLE NOZZLE Ø 4.0 CP - SS		
2	106004CK		AMADA® DOUBLE NOZZLE Ø 6.0 CP - SS		
3	106005CK		AMADA® DOUBLE NOZZLE Ø 10.0 CP - SS		

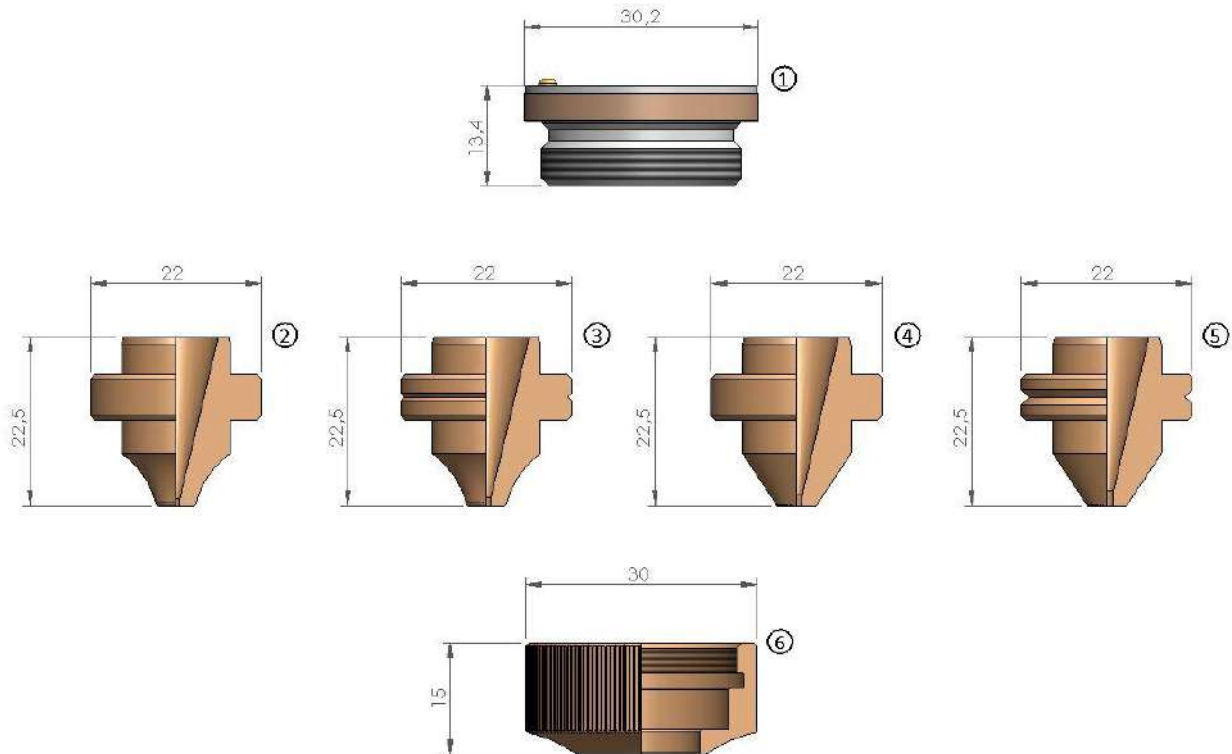
Replacement parts suitable for AMADA®



POS	CODE	ORIGINAL CODE	DESCRIPTION	unit price	10 pack price
1	309001	P0594-860-00001 - 71800010	mitsubishi® NOZZLE HOLDER IT HP2" MZP/MEL		
2	302110	W270	mitsubishi® INNER NOZZLE Ø 1.3-8 HOLES		
	302111	BQ943D156H01 - 71800023 - W270-1.5	mitsubishi® INNER NOZZLE Ø 1.5-8 HOLES		
	302112		mitsubishi® INNER NOZZLE Ø 2.0-8 HOLES		
	302121	BQ943D156H03 - 71800024 - W515	mitsubishi® INNER NOZZLE Ø 1.5-24 HOLES		
	302122		mitsubishi® INNER NOZZLE Ø 2.0-24 HOLES		
3	302305	BQ933D221H04 - 71800027-P0593-86000001	mitsubishi® OUTER NOZZLE WITH INNER WALL		

San Giorgio Plasma Parts srls is not affiliated with the named manufacturers. Reference to machines, parts, descriptions, and model numbers are for convenience in verifying compatibility only. All parts are made by or for San Giorgio Plasma Parts srls and are not made by the reference manufactures (unless expressly indicated). All other trademarks are the properties of their respective owners."

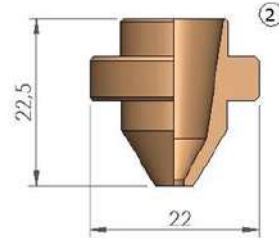
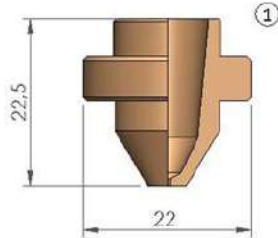
Replacement parts suitable for AMADA®



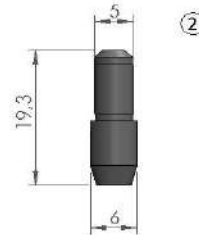
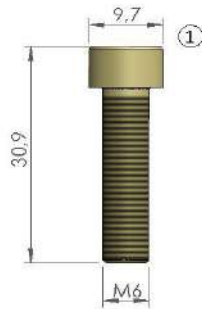
POS	CODE	ORIGINAL CODE	DESCRIPTION	unit price	10 pack price
1	309001	P0594-860-00001 - 71800010	MITSUBISHI® NOZZLE HOLDER IT HP2" MZP/MEL		
2	302201	BQ933D283H01-71800016A0	MITSUBISHI® NOZZLE S10 Ø 1.0		
	302203		MITSUBISHI® NOZZLE S14 Ø 1.4		
3	302202	BQ943D269H01-W18Q93326901-71800017	MITSUBISHI® NOZZLE S12 Ø 1.2		
	302204	BQ943D157H01 - 71800018	MITSUBISHI® NOZZLE S15 Ø 1.5		
4	302206	BQ943D157H02-71800019	MITSUBISHI® NOZZLE S20 Ø 2.0		
	302207	71800020 - BQ943D157H03	MITSUBISHI® NOZZLE S25 Ø 2.5		
	302208	71800021 - BQ943D157H04	MITSUBISHI® NOZZLE S30 Ø 3.0		
	302209	71800022 - BQ943D596H01	MITSUBISHI® NOZZLE S35 Ø 3.5		
	302210		MITSUBISHI® NOZZLE Ø 1.7		
5	302205	W18Q93302701	MITSUBISHI® NOZZLE S17 Ø 1.7		
6	302301	BQ933D94H01-71800026	MITSUBISHI® NOZZLE NUT		

San Giorgio Plasma Parts srls is not affiliated with the named manufacturers. Reference to machines, parts, descriptions, and model numbers are for convenience in verifying compatibility only. All parts are made by or for San Giorgio Plasma Parts srls and are not made by the reference manufactures (unless expressly indicated). All other trademarks are the properties of their respective owners."

Replacement parts suitable for AMADA®

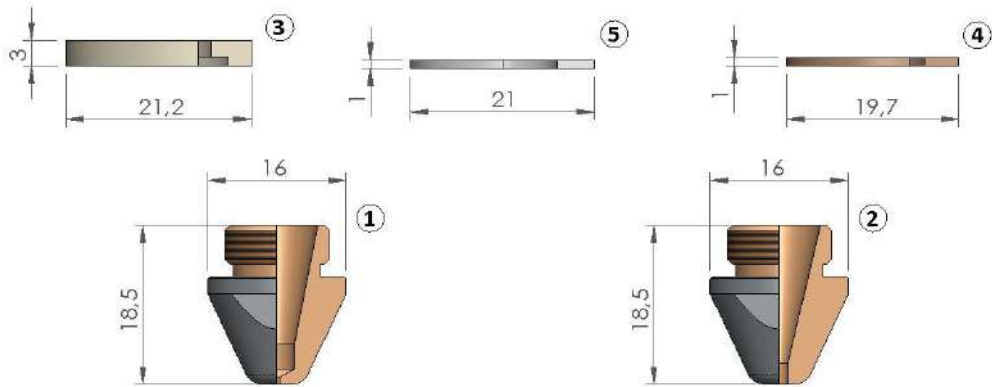


POS	CODE	ORIGINAL CODE	DESCRIPTION	unit price	10 pack price
1	302213	71800016- BQ943D897H01- W18Q94389701	AMADA® - MITSUBISHI® HV NOZZLE Ø 1.0		
2	302214	W18Q93309101	AMADA® - MITSUBISHI® HV NOZZLE Ø 2.5		
	302215	W18Q93309102	AMADA® - MITSUBISHI® HV NOZZLE Ø 3.0		



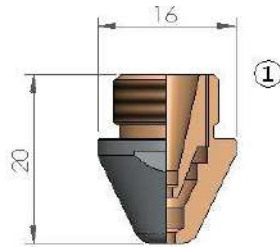
POS	CODE	ORIGINAL CODE	DESCRIPTION	unit price	10 pack price
1	309012	71800008, L2490A005, LC50700, P903K001P72	AMADA® SAFETY SCREW		
2	109008	71800009 - P921K000P25 - JPZA5-6 - LC47400	AMADA® SAFETY PIN		

Replacement parts suitable for AMADA®



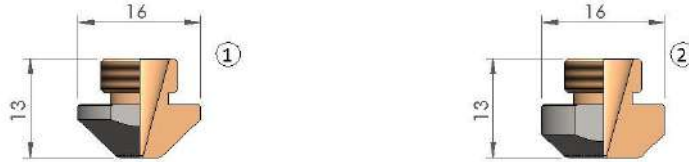
POS	CODE	ORIGINAL CODE	DESCRIPTION	unit price	10 pack price
1	105001CW		AMADA® NOZZLE Ø 0.8 CP		
	105002CW	1664545U	AMADA® NOZZLE Ø 1.0 CP		
	105003CW	1664545U	AMADA® NOZZLE Ø 1.25 CP		
	105004CW	1664545U	AMADA® NOZZLE Ø 1.5 CP		
	105005CW	1664545U	AMADA® NOZZLE Ø 1.75 CP		
2	105006CW	1664644U-71341610	AMADA® NOZZLE Ø 2.0 CP		
	105007CW	1664545U	AMADA® NOZZLE Ø 2.5 CP		
	105008CW	1664645U-71360142	AMADA® NOZZLE Ø 3.0 CP		
	105009CW		AMADA® NOZZLE Ø 4.0 CP		
	105010CW		AMADA® NOZZLE Ø 5.0 CP		
3	109020	71341614	AMADA® DISC HEAD PROTECTION CERAMIC Ø 22		
4	109019	71341614	AMADA® DISC HEAD PROTECTION VESPEL Ø 21		
5	109023	71341614	AMADA® DISK HEAD PROTECTION Ø 21 PLASTIC		

Replacement parts suitable for AMADA®



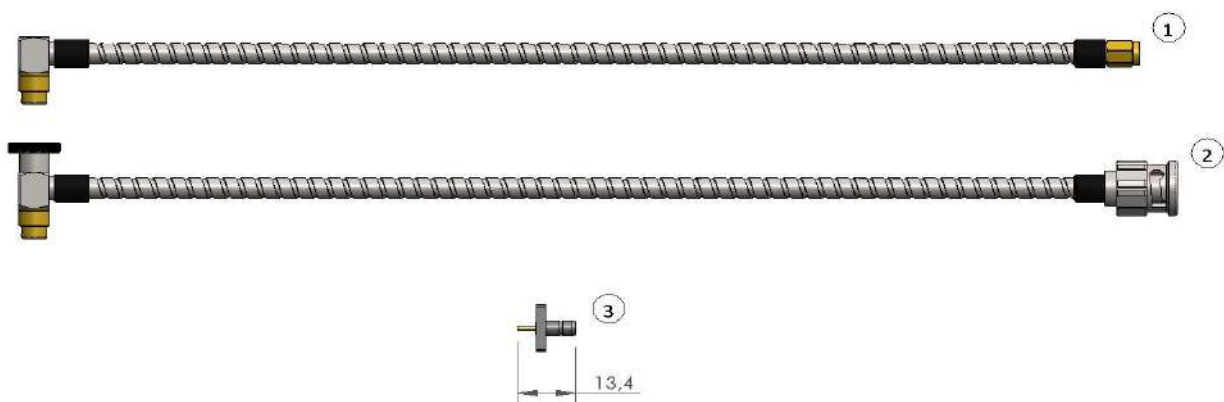
POS	CODE	ORIGINAL CODE	DESCRIPTION	unit price	10 pack price
1	105015CW	1669864/7134162	AMADA® DOUBLE NOZZLE Ø D1.0 CP		
	105016CW	1669864/7134162	AMADA® DOUBLE NOZZLE Ø D1.2 CP		
	105017CW	1669864/7134162	AMADA® DOUBLE NOZZLE Ø D1.4 CP		
	105018CW	1669864/7134162	AMADA® DOUBLE NOZZLE Ø D1.5 CP		
	105019CW	1669864/7134162	AMADA® DOUBLE NOZZLE Ø D1.8 CP		
	105020CW	1669864/7134162	AMADA® DOUBLE NOZZLE Ø D2.0 CP		
	105021CW	1669864/7134162/41341680/71341772	AMADA® DOUBLE NOZZLE Ø D2.5 CP		
	105022CW	1669864/7134163	AMADA® DOUBLE NOZZLE Ø D3.0 CP		
	105023CW	1669864/7134162	AMADA® DOUBLE NOZZLE Ø D3.5 CP		
	105024CW		AMADA® DOUBLE NOZZLE Ø D3.8 CP		
	105025CW	1669795/71341681	AMADA® DOUBLE NOZZLE Ø D4.0 CP		

Replacement parts suitable for AMADA®

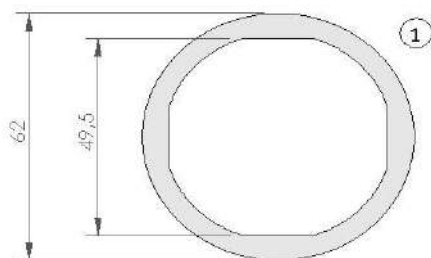


POS	CODE	ORIGINAL CODE	DESCRIPTION	unit price	10 pack price
1	105031CW	62094006	AMADA® NOZZLE Ø 1.0 CP		
	105032CW	62094006	AMADA® NOZZLE Ø 1.25 CP		
	105033CW	62094006, 1507610	AMADA® NOZZLE Ø 1.5 CP		
	105034CW	62094006	AMADA® NOZZLE Ø 1.75 CP		
	105035CW	62094006, 1507611	AMADA® NOZZLE Ø 2.0 CP		
	105036CW	62094006	AMADA® NOZZLE Ø 2.5 CP		
	105037CW	62094008, 71102007	AMADA® NOZZLE Ø 3.0 CP		
2	105041CW	62094005	AMADA® NOZZLE Ø 1.0 CP		
	105042CW	62094005	AMADA® NOZZLE Ø 1.25 CP		
	105043CW	62094005, 71341515	AMADA® NOZZLE Ø 1.5 CP		
	105044CW	62094005, 71341515-1.75	AMADA® NOZZLE Ø 1.75 CP		
	105045CW	62094005, 71102006	AMADA® NOZZLE Ø 2.0 CP		
	105046CW	62094005	AMADA® NOZZLE Ø 2.5 CP		
	105047CW	62094005, 71341515-3.0	AMADA® NOZZLE Ø 3.0 CP		

Replacement parts suitable for AMADA®



POS	CODE	ORIGINAL CODE	DESCRIPTION	unit price	10 pack price
1	109021	71341630	AMADA® SENSOR CABLE		
2	109022	71398965	AMADA® SENSOR CABLE HS 15		
3	109024	71341630	AMADA® SENSOR CABLE CONNECTOR		



POS	CODE	ORIGINAL CODE	DESCRIPTION	unit price	10 pack price
1	109036	71361393	AMADA® GASKET PTFE - LENS HOUSING Ø 2.0		