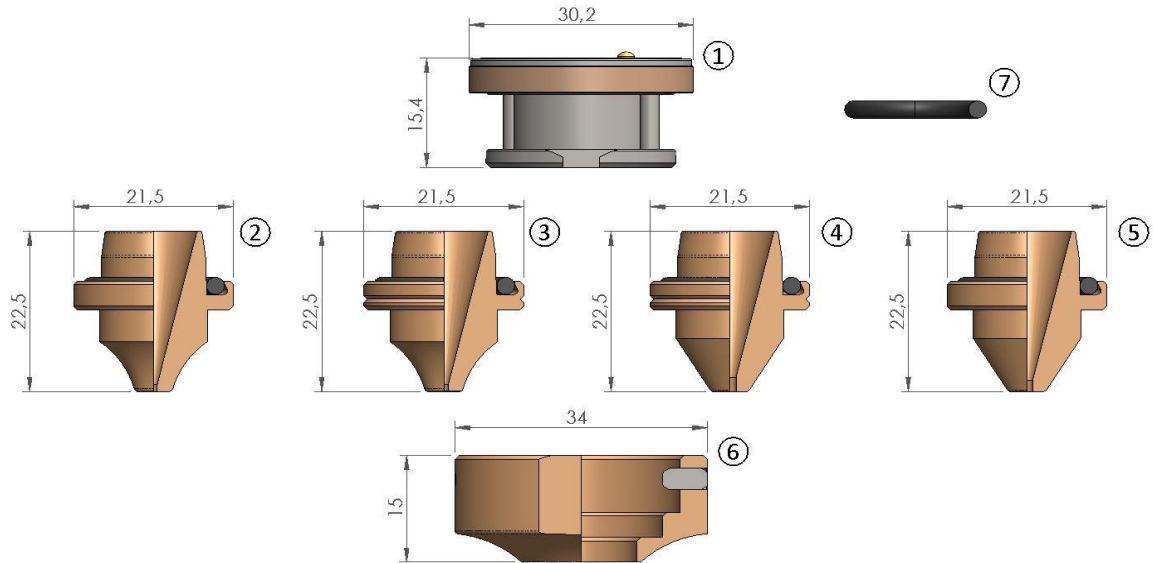
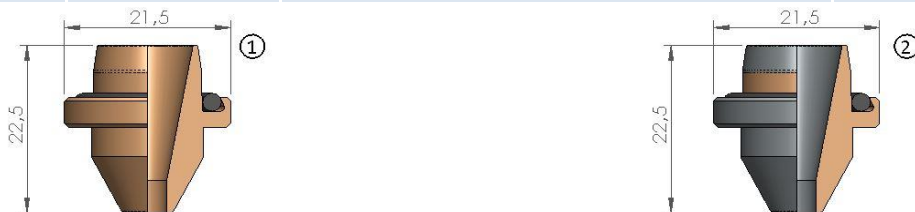


Replacement parts suitable for MITSUBISHI®



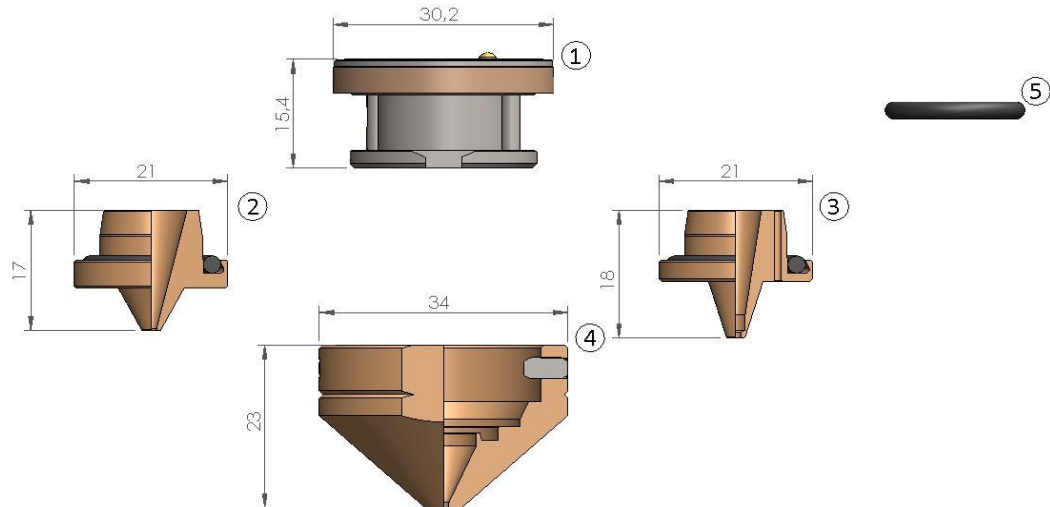
POS	AZ CODE	ORIGINAL CODE	DESCRIPTION	unit price	10 pack price
1	309005		MITSUBISHI® EX NOZZLE HOLDER STAINLESS STEEL		
2	301101	BQ983D150-H01	MITSUBISHI® EX NOZZLE Ø 1.0 with o-ring		
	301103	BQ983D314-H01	MITSUBISHI® EX NOZZLE Ø 1.4 with o-ring		
3	301102	BQ983D151-H01	MITSUBISHI® EX NOZZLE Ø 1.2 with o-ring		
4	301105	BQ983D152-H01	MITSUBISHI® EX NOZZLE Ø 1.7 with o-ring		
5	301104	BQ983D153-H01	MITSUBISHI® EX NOZZLE Ø 1.5 with o-ring		
	301106	BQ983D153-H02	MITSUBISHI® EX NOZZLE Ø 2.0 with o-ring		
	301107	BQ983D153-H03	MITSUBISHI® EX NOZZLE Ø 2.5 with o-ring		
	301108	BQ983D153-H04	MITSUBISHI® EX NOZZLE Ø 3.0 with o-ring		
	301109	BQ983D153-H05	MITSUBISHI® EX NOZZLE Ø 3.5 with o-ring		
6	301201	BQ980D328G01	MITSUBISHI® EX OUTER NOZZLE FOR NOZZLE		
7	309011		MITSUBISHI® O RING FOR NOZZLE		



POS	AZ CODE	ORIGINAL CODE	DESCRIPTION	unit price	10 pack price
1	301110		MITSUBISHI® EX NOZZLE Ø 4.0 with o-ring		
	301111		MITSUBISHI® EX NOZZLE Ø 5.0 with o-ring		
	301112		MITSUBISHI® EX NOZZLE Ø 6.0 with o-ring		
2	301110C		MITSUBISHI® EX NOZZLE Ø 4.0 with o-ring CP		
	301111C		MITSUBISHI® EX NOZZLE Ø 5.0 with o-ring CP		
	301112C		MITSUBISHI® EX NOZZLE Ø 6.0 with o-ring CP		

San Giorgio Plasma Parts srls is not affiliated with the named manufacturers. Reference to machines, parts, descriptions, and model numbers are for convenience in verifying compatibility only. All parts are made by or for San Giorgio Plasma Parts srls and are not made by the reference manufactures (unless expressly indicated). All other trademarks are the properties of their respective owners.™

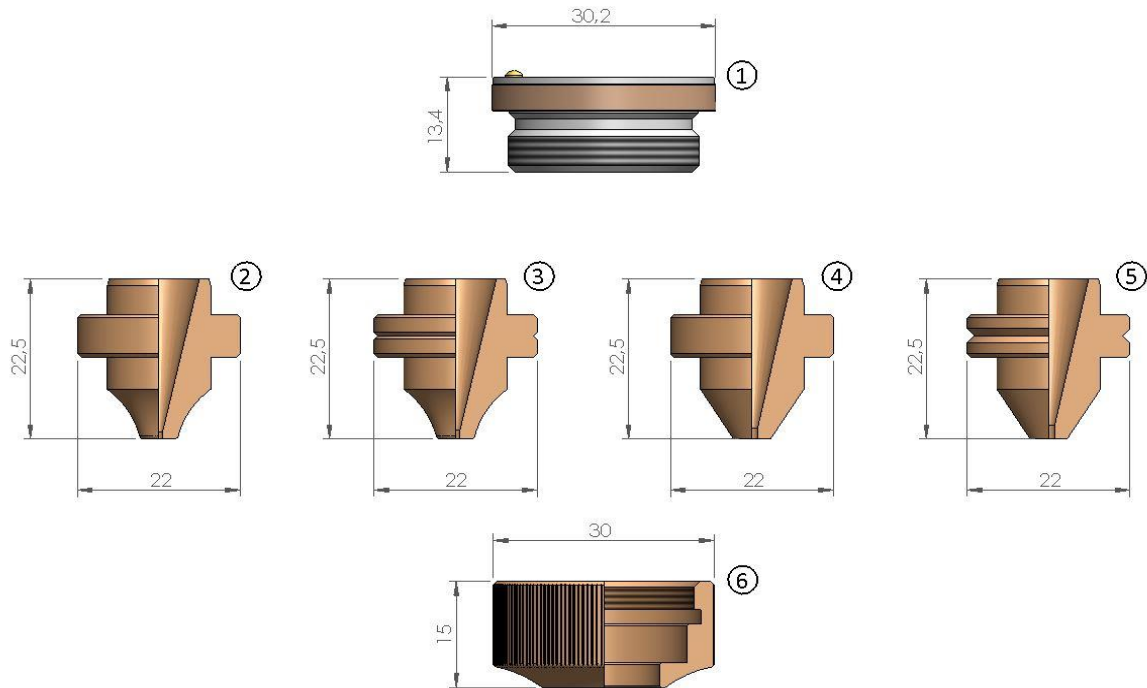
Replacement parts suitable for MITSUBISHI®



POS	AZ CODE	ORIGINAL CODE	DESCRIPTION	unit price	10 pack price
1	309005		MITSUBISHI® EX NOZZLE HOLDER STAINLESS STEEL		
2	301001		MITSUBISHI® EX INNER NOZZLE Ø 1.5-3 holes with o-ring		
	301002		MITSUBISHI® EX INNER NOZZLE Ø 2.0-3 holes with o-ring		
	301003		MITSUBISHI® EX INNER NOZZLE Ø 1.5-4 holes with o-ring		
	301004		MITSUBISHI® EX INNER NOZZLE Ø 2.0-4 holes with o-ring		
	301005		MITSUBISHI® EX INNER NOZZLE Ø 1.5-6 holes with o-ring		
	301006		MITSUBISHI® EX INNER NOZZLE Ø 2.0-6 holes with o-ring		
	301008	BQ983D206H03	MITSUBISHI® EX INNER NOZZLE Ø 1.5 - 8 holes with o-ring		
	301009		MITSUBISHI® EX INNER NOZZLE Ø 2.0-8 holes with o-ring		
	301010		MITSUBISHI® EX INNER NOZZLE Ø 2.5-8 holes with o-ring		
	301011	BQ983D206H04	MITSUBISHI® EX INNER NOZZLE Ø 1.5 - 24 holes with o-ring		
	301012		MITSUBISHI® EX INNER NOZZLE Ø 2.0-24 holes with o-ring		
301013		MITSUBISHI® EX INNER NOZZLE Ø 2.5-24 holes with o-ring			
3	301015		MITSUBISHI® EX INNER NOZZLE M01 Ø 1.5 - 4 holes with o-ring		
	301016		MITSUBISHI® EX INNER NOZZLE M01 Ø 2.0 - 4 holes with o-ring		
4	301203		MITSUBISHI® EX OUTER NOZZLE Ø 1,5 WITH INNER WALL		
	301204		MITSUBISHI® EX OUTER NOZZLE Ø 2,0 WITH INNER WALL		
	301205		MITSUBISHI® EX OUTER NOZZLE Ø 2.5 WITH INNER WALL		
	301206		MITSUBISHI® EX OUTER NOZZLE Ø 3,0 WITH INNER WALL		
	301207		MITSUBISHI® EX OUTER NOZZLE Ø 3.5 WITH INNER WALL		
	301208	BQ980D434G01	MITSUBISHI® EX OUTER NOZZLE Ø 4.0 WITH INNER WALL		
5	309011		MITSUBISHI® O RING FOR NOZZLE		

San Giorgio Plasma Parts srls is not affiliated with the named manufacturers. Reference to machines, parts, descriptions, and model numbers are for convenience in verifying compatibility only. All parts are made by or for San Giorgio Plasma Parts srls and are not made by the reference manufactures (unless expressly indicated). All other trademarks are the properties of their respective owners."

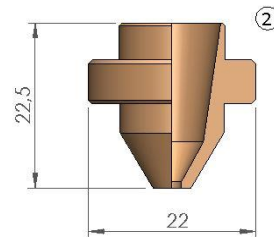
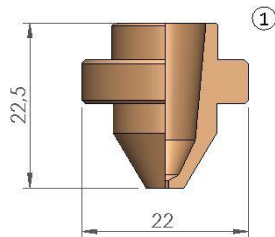
Replacement parts suitable for MITSUBISHI®



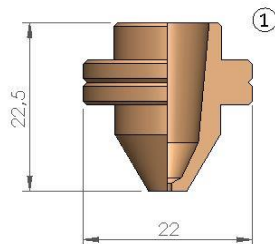
POS	AZ CODE	ORIGINAL CODE	DESCRIPTION	unit price	10 pack price
1	309001	P0594-860-00001 - 71800010	PRECITEC NOZZLE HOLDER IT HP2" MZP/MEL		
2	302201	BQ933D283H01 - 71800016A0	MITSUBISHI® NOZZLE S10 Ø 1.0		
	302203		MITSUBISHI® NOZZLE S14 Ø 1.4		
3	302202	BQ943D269H01- W18Q93326901- BQ943D157H01 - 71800018	MITSUBISHI® NOZZLE S12 Ø 1.2		
4	302204	71800019 - BQ943D157H02	MITSUBISHI® NOZZLE S15 Ø 1.5		
	302206		MITSUBISHI® NOZZLE S20 Ø 2.0		
	302207		MITSUBISHI® NOZZLE S25 Ø 2.5		
	302208		MITSUBISHI® NOZZLE S30 Ø 3.0		
	302209		MITSUBISHI® NOZZLE S35 Ø 3.5		
	302210		MITSUBISHI® NOZZLE S17 Ø 1.7		
5	302205	W18Q93302701	MITSUBISHI® NOZZLE S17 Ø 1.7		
6	302301	71800026 - BQ933D94H01	MITSUBISHI® NOZZLE NUT		

San Giorgio Plasma Parts srls is not affiliated with the named manufacturers. Reference to machines, parts, descriptions, and model numbers are for convenience in verifying compatibility only. All parts are made by or for San Giorgio Plasma Parts srls and are not made by the reference manufactures (unless expressly indicated). All other trademarks are the properties of their respective owners."

Replacement parts suitable for MITSUBISHI®



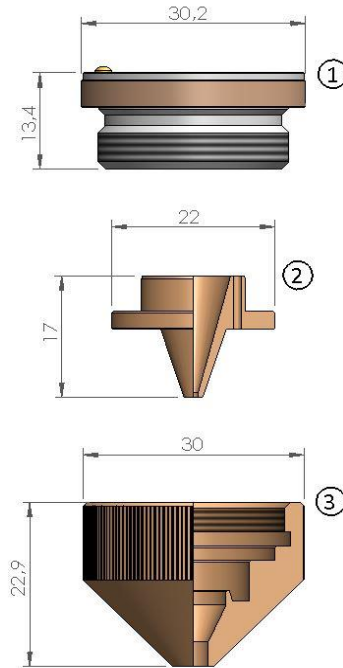
POS	AZ CODE	ORIGINAL CODE	DESCRIPTION	unit price	10 pack price
1	302213	71800016-BQ943D897H01-W18Q94389701	AMADA® - MITSUBISHI® HV NOZZLE Ø 1.0		
2	302214	W18Q93309101	AMADA® - MITSUBISHI® HV NOZZLE Ø 2.5		
	302215	W18Q93309102	AMADA® - MITSUBISHI® HV NOZZLE Ø 3.0		



POS	AZ CODE	ORIGINAL CODE	DESCRIPTION	unit price	10 pack price
1	302220		MITSUBISHI® NOZZLE Ø 1.0		
	302221		MITSUBISHI® NOZZLE Ø 1.2		
	302222		MITSUBISHI® NOZZLE Ø 1.5		
	302223		MITSUBISHI® NOZZLE Ø 1.7		
	302224		MITSUBISHI® NOZZLE Ø 2.0		
	302225		MITSUBISHI® NOZZLE Ø 2.5		

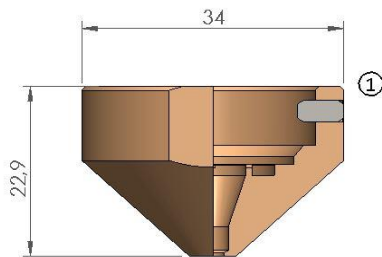
San Giorgio Plasma Parts srls is not affiliated with the named manufacturers. Reference to machines, parts, descriptions, and model numbers are for convenience in verifying compatibility only. All parts are made by or for San Giorgio Plasma Parts srls and are not made by the reference manufactures (unless expressly indicated). All other trademarks are the properties of their respective owners."

Replacement parts suitable for MITSUBISHI®

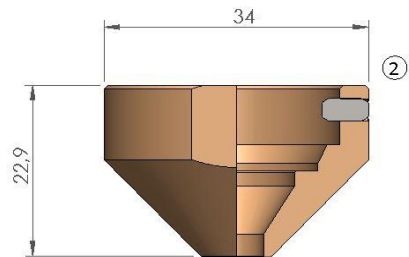
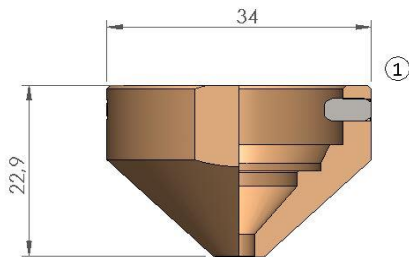


POS	AZ CODE	ORIGINAL CODE	DESCRIPTION	unit price	10 pack price
1	309001	P0594-860-00001 - 71800010	MITSUBISHI® NOZZLE HOLDER IT HP2" MZP/MEL		
2	302110	W270	MITSUBISHI® INNER NOZZLE Ø 1.3 - 8 HOLES		
	302111	71800023 - BQ943D156H01 - W270-1.5	MITSUBISHI® INNER NOZZLE Ø 1.5 - 8 HOLES		
	302112		MITSUBISHI® INNER NOZZLE Ø 2.0 - 8 HOLES		
	302121	71800024 - BQ943D156H03 - W515	MITSUBISHI® INNER NOZZLE Ø 1.5 - 24 HOLES		
	302122		MITSUBISHI® INNER NOZZLE Ø 2.0 - 24 HOLES		
3	302305	71800027-BQ933D221H04- P0593-86000001	MITSUBISHI® OUTER NOZZLE WITH INNER WALL		

Replacement parts suitable for MITSUBISHI®



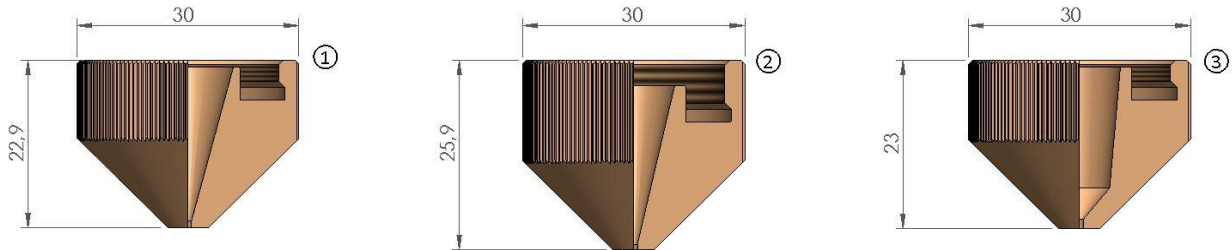
POS	AZ CODE	ORIGINAL CODE	DESCRIPTION	unit price	10 pack price
1	301224		MITSUBISHI® EX OUTER NOZZLE Ø 3.0 MM		



POS	AZ CODE	ORIGINAL CODE	DESCRIPTION	unit price	10 pack price
1	301215	BQ980D442G03	MITSUBISHI® EX OUTER NOZZLE Ø 4.0 MM		
2	301220	BQ980D442G01	MITSUBISHI® EX OUTER NOZZLE Ø 7.0 MM		

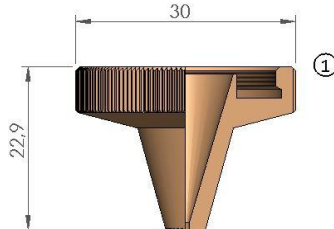
San Giorgio Plasma Parts srls is not affiliated with the named manufacturers. Reference to machines, parts, descriptions, and model numbers are for convenience in verifying compatibility only. All parts are made by or for San Giorgio Plasma Parts srls and are not made by the reference manufactures (unless expressly indicated). All other trademarks are the properties of their respective owners."

Replacement parts suitable for MITSUBISHI®



POS	AZ CODE	ORIGINAL CODE	DESCRIPTION	unit price	10 pack price	
1	302001	W1626	MITSUBISHI® NOZZLE Ø 1.0			
	302002	W1627	MITSUBISHI® NOZZLE Ø 1.2			
	302003		MITSUBISHI® NOZZLE Ø 1.4			
	302004	W1628	MITSUBISHI® NOZZLE Ø 1.5			
	302005	W1661	MITSUBISHI® NOZZLE Ø 1.7			
	302006	W1629	MITSUBISHI® NOZZLE Ø 2.0			
	302007	W1630	MITSUBISHI® NOZZLE Ø 2.5			
	302008	W1664	MITSUBISHI® NOZZLE Ø 3.0			
	302009	W1665	MITSUBISHI® NOZZLE Ø 3.5			
	302010	W1666	MITSUBISHI® NOZZLE Ø 4.0			
	302011	W1662	MITSUBISHI® NOZZLE Ø 4.5			
	302012	W1663	MITSUBISHI® NOZZLE Ø 5.0			
2	302015	W1249	MITSUBISHI® SHIELD NOZZLE Ø 1.0			
	302016	W1256	MITSUBISHI® SHIELD NOZZLE Ø 1.2			
	302017	W1250	MITSUBISHI® SHIELD NOZZLE Ø 1.5			
	302018	W1251	MITSUBISHI® SHIELD NOZZLE Ø 2.0			
	302019	W1252	MITSUBISHI® SHIELD NOZZLE Ø 2.5			
	302020	W1253	MITSUBISHI® SHIELD NOZZLE Ø 3.0			
	302021	W1254	MITSUBISHI® SHIELD NOZZLE Ø 3.5			
	302022	W1255	MITSUBISHI® SHIELD NOZZLE Ø 4.0			
	3	302026	W1626B	MITSUBISHI® NOZZLE Ø 1.0 LOW PRESSURE		
		302027	W1627B	MITSUBISHI® NOZZLE Ø 1.2 LOW PRESSURE		
302028		W1628B	MITSUBISHI® NOZZLE Ø 1.5 LOW PRESSURE			
302029		W1629B	MITSUBISHI® NOZZLE Ø 2.0 LOW PRESSURE			
302030		W1630B	MITSUBISHI® NOZZLE Ø 2.5 LOW PRESSURE			
302031		W1664B	MITSUBISHI® NOZZLE Ø 3.0 LOW PRESSURE			
302032		W1665B	MITSUBISHI® NOZZLE Ø 3.5 LOW PRESSURE			
302033		W1666B	MITSUBISHI® NOZZLE Ø 4.0 LOW PRESSURE			

Replacement parts suitable for MITSUBISHI®



POS	AZ CODE	ORIGINAL CODE	DESCRIPTION	unit price	10 pack price
1	302040	NCW1626C	MITSUBISHI® NOZZLE Ø 1.0 NARROW CONE		
	302041	NCW1627C	MITSUBISHI® NOZZLE Ø 1.2 NARROW CONE		
	302042	NCW1629C	MITSUBISHI® NOZZLE Ø 2.0 NARROW CONE		
	302043	NCW1630C	MITSUBISHI® NOZZLE Ø 2.5 NARROW CONE		