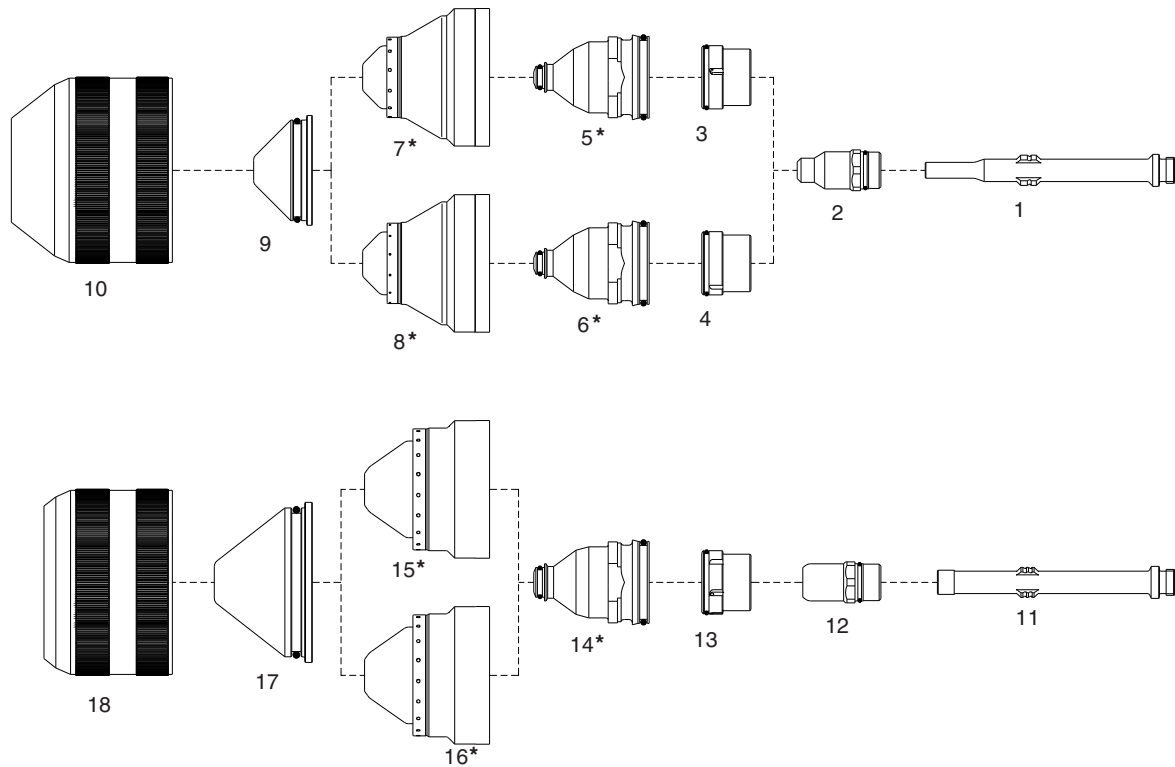


KJELLBERG®
HiFocus 280i® / 360i® / 440i®
PerCut 210M®/450M®

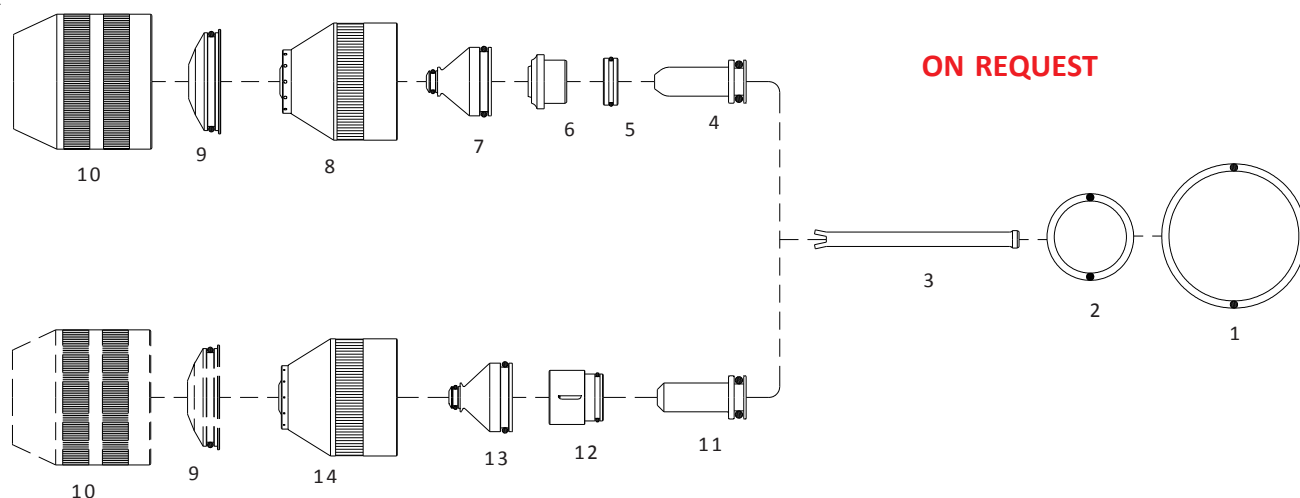
MILD STEEL

* Differ from OEM Design but
fully interchangeable with the
originals



No.	Ref.	Code	Description	Pkg.	No.	Ref.	Code	Description	Pkg.
1	.11.848.201.142	60635	Cooling Tube - 20/200A G901Y	1	9	.11.848.201.1520	60596.20	Shield Ø 2.0 - 35/60A G4020	5
2	.11.848.221.300	52722AG	Electrode - 20/200A G002Y Silver	5		.11.848.201.1522	60596.22	Shield Ø 2.2 - 130A G4022	5
3	.11.848.221.145	60072	Swirl ring - 20/35A G101	2		.11.848.201.1525	60596.25	Shield Ø 2.5 - 90A G4025	5
4	.11.848.221.146	60073	Swirl ring - 60/200A G102	2		.11.848.201.1530	60596.30	Shield Ø 3.0 - 90/200A G4030	5
5	.11.848.221.406	51640.06	Nozzle Ø 0.6 - 20A G2006Y	5	10	.11.848.201.081	60645	Shield Cap G501	1
	.11.848.221.407	51640.07	Nozzle Ø 0.7 - 35A G2007Y	5	11	.11.848.401.142	60636	Cooling Tube - 280A G931Y	1
6	.11.848.221.408	51641.08	Nozzle Ø 0.8 - 60A G2008Y	5	12	.11.848.421.310	52723AG	Electrode - 280A G032Y Silver	5
	.11.848.221.410	51641.10	Nozzle Ø 1.0 - 90A G2010Y	5	13	.11.848.421.145	60074	Swirl ring - 280A G121	2
	.11.848.221.412	51641.12	Nozzle Ø 1.2 - 130A G2012Y	5	14	.11.848.421.426	51643.26	Nozzle Ø 2.6 - 280A G2326Y	5
	.11.848.221.414	51641.14	Nozzle Ø 1.4 - 160A G2014Y	5	15	.11.848.401.1649	60642	Retaining cup - 280A G3249 6-25mm	1
	.11.848.221.417	51642.17	Nozzle Ø 1.7 - 200A G2017Y	5	16	.11.848.401.1619	60643	Retaining cup - 280A G3219 30-70mm	1
7	.11.848.201.1604	60640	Retaining cap - 20/35A G3004	1	17	.11.848.401.1550	60597.50	Shield Ø 5.0 - 280A G4350	2
8	.11.848.201.1628	60641	Retaining cup - 60/200A G3028	1	18	.11.848.401.081	60646	Shield Cap G521	1
9	.11.848.201.1515	60596.15	Shield Ø 1.5 - 20A G4015	5					

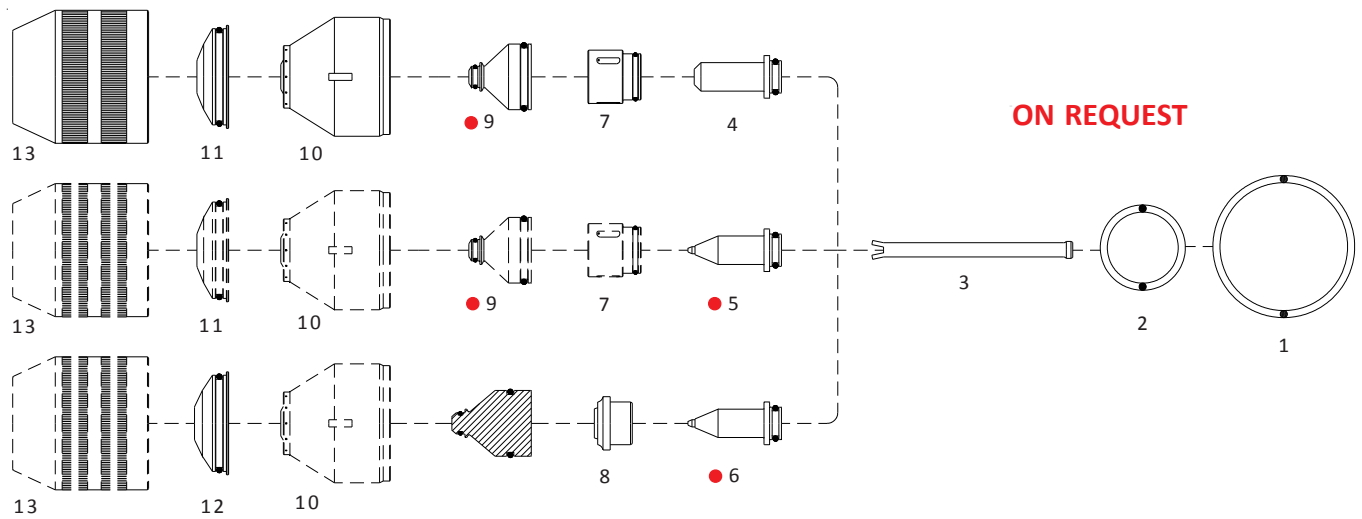
Replacement parts suitable for:

KJELLBERG®
PERCUT 100®


No.	Ref.	Code	Description	Pkg.	No.	Ref.	Code	Description	Pkg.
1	.10.505.946	60365.42	O-Ring Silicone	20	8	.11.835.201.162	60573	Retaining cap \varnothing 0.8 Z3008	1
2	.10.575.052	60365.41	O-Ring Silicone	20	9	.11.835.201.1561	60565	Shield \varnothing 1.5 Z4015	5
3	.11.835.201.152	60366C	Cooling tube	1		.11.835.201.1571	60566	Shield \varnothing 2.0 Z4020	5
4	.11.835.421.3101	52707AG	Electrode O ₂ XL Z012 Silver	5		.11.835.201.1581	60566.25	Shield \varnothing 2.5 Z4025	5
5	.11.835.421.303	60064	Spacer Max Life Z111A	5		.11.835.201.1591	60566.30	Shield \varnothing 3.0 Z4030	5
6	.11.828.001.153	60066	Swirl ring Max Life Z111	2		.11.835.401.1571	60567	Shield \varnothing 4.0 Z4140	5
7	.11.835.221.406	51620.06	Nozzle \varnothing 0.6 O ₂ Z2006	5	10	.11.835.201.081	60561	Shield cap Z501	1
	.11.835.221.407	51620.07	Nozzle \varnothing 0.7 O ₂ Z2007	5	11	.11.835.221.3101	52706AG	Electrode O ₂ XL Z002 Silver	5
	.11.835.221.408	51620.08	Nozzle \varnothing 0.8 O ₂ Z2008	5	12	.11.835.221.153	60065	Swirl ring Z101	2
	.11.835.221.409	51620.09	Nozzle \varnothing 0.9 O ₂ Z2009	5	13	.11.835.421.412	51621.12	Nozzle \varnothing 1.2 O ₂ Z2112	5
	.11.835.221.410	51620.10	Nozzle \varnothing 1.0 O ₂ Z2010	5		.11.835.421.414	51621.14	Nozzle \varnothing 1.4 O ₂ Z2114	5
	.11.835.221.411	51620.11	Nozzle \varnothing 1.1 O ₂ Z2011	5	14	.11.835.201.160	60572	Retaining cap \varnothing 0.4 Z3004	1
	.11.835.221.412	51620.12	Nozzle \varnothing 1.2 O ₂ Z2012	5					

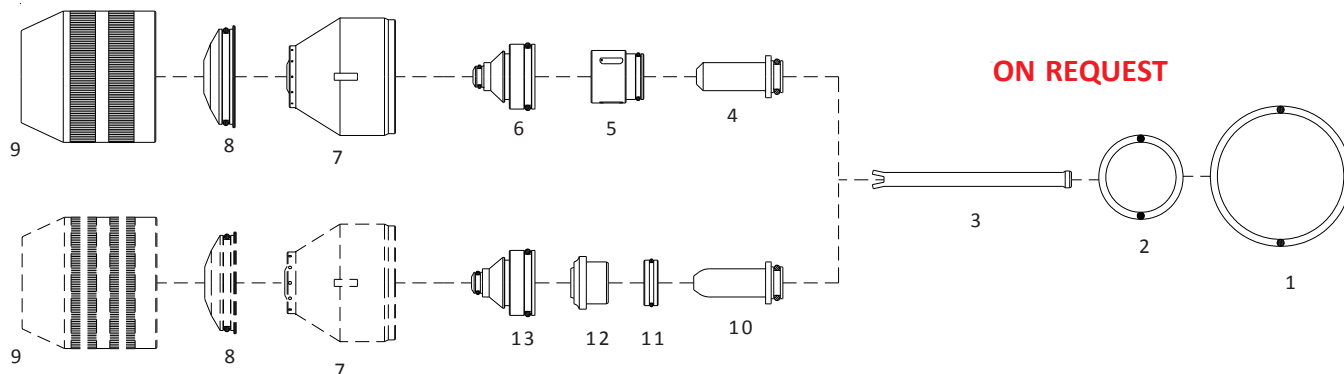
KJELLBERG®
PERCUT 160i®
HIFOCUS 160i®

● Item not saleable in Germany, being patented in said country.
 Tec.mo accepts no responsibility in case of its customer's attempted sale in Germany.



No.	Ref.	Code	Description	Pkg.	No.	Ref.	Code	Description	Pkg.
1	.10.505.946	60365.42	O-Ring Silicone	20	9	.11.842.421.414	51622.14	● Nozzle ϕ 1.4 - 130A S2014	5
2	.10.575.052	60365.41	O-Ring Silicone	20		.11.842.421.416	51622.16	● Nozzle ϕ 1.6 - 160A S2016	5
3	.11.842.401.152	60579	Cooling tube S901	1	10	.11.842.401.160	60580	Retaining cap ϕ 0.4 S3004	1
4	.11.842.421.310	52711AG	Electrode O ₂ XL S002 Silver	5		.11.842.401.162	60581	Retaining cap ϕ 0.8 S3008	1
5	.11.842.411.510	52713W	● Electrode A S042	5		.11.842.401.1622	60582	Retaining cap ϕ 0.8 S3028	1
6	.11.842.511.510	52714W	● Electrode A S052	5	11	.11.835.201.1561	60565	Shield ϕ 1.5 Z4015	5
7	.11.835.221.153	60065	Swirl ring Max Life Z101	2		.11.835.201.1571	60566	Shield ϕ 2.0 Z4020	5
	.11.835.221.154	60068	Swirl ring Max Life Z102	2		.11.835.201.1551	60566.22	Shield ϕ 2.2 Z4022	5
8	.11.834.321.153	60066	Swirl ring Max Life Z111	2		.11.835.201.1581	60566.25	Shield ϕ 2.5 Z4025	5
9	.11.842.421.406	51622.06	● Nozzle ϕ 0.6 - 25A S2006	5		.11.835.201.1591	60566.30	Shield ϕ 3.0 Z4030	5
	.11.842.421.407	51622.07	● Nozzle ϕ 0.7 - 35A S2007	5		.11.835.401.1571	60567	Shield ϕ 4.0 Z4140	5
	.11.842.421.408	51622.08	● Nozzle ϕ 0.8 - 50A S2008	5	12	.11.835.411.1581	60568.30	Shield ϕ 3.0 Z4530	5
	.11.842.421.409	51622.09	● Nozzle ϕ 0.9 - 70A S2009	5		.11.835.411.1580	60568.35	Shield ϕ 3.5 Z4535	5
	.11.842.421.410	51622.10	● Nozzle ϕ 1.0 - 80A S2010	5		.11.835.411.1591	60568.40	Shield ϕ 4.0 Z4540	5
	.11.842.421.411	51622.11	● Nozzle ϕ 1.1 - 90A S2011	5		.11.835.411.1590	60568.45	Shield ϕ 4.5 Z4545	5
	.11.842.421.412	51622.12	● Nozzle ϕ 1.2 - 100A S2012	5	13	.11.835.201.081	60561	Shield cap Z501	1

Replacement parts suitable for:

KJELLBERG®
PERCUT 160/170®


No.	Ref.	Code	Description	Pkg.	No.	Ref.	Code	Description	Pkg.
1	.10.505.946	60365.42	O-Ring Silicone	20	7	.11.842.401.160	60580	Retaining cap \varnothing 0.4 S3004	1
2	.10.575.052	60365.41	O-Ring Silicone	20		.11.842.401.162	60581	Retaining cap \varnothing 0.8 S3008	1
3	.11.842.401.152	60579	Cooling tube S901	1		.11.842.401.1622	60582	Retaining cap \varnothing 0.8 S3028	1
4	.11.843.021.310	52716AG	Electrode O ₂ XL S002X Silver	5	8	.11.835.201.1561	60565	Shield \varnothing 1.5 Z4015	5
	.11.843.021.320	52718AG	Electrode O ₂ XL S002Y Silver	5		.11.835.201.1571	60566	Shield \varnothing 2.0 Z4020	5
5	.11.835.221.153	60065	Swirl ring 3 holes - Max Life Z101	2		.11.835.201.1551	60566.22	Shield \varnothing 2.2 Z4022	5
	.11.835.221.154	60068	Swirl ring 2 holes - Max Life Z102	2		.11.835.201.1581	60566.25	Shield \varnothing 2.5 Z4025	5
6	.11.843.021.406	51625.06	Nozzle \varnothing 0.6 - 25A S2006X	5		.11.835.201.1591	60566.30	Shield \varnothing 3.0 Z4030	5
	.11.843.021.407	51625.07	Nozzle \varnothing 0.7 - 35A S2007X	5		.11.835.401.1571	60567	Shield \varnothing 4.0 Z4140	5
	.11.843.021.408	51625.08	Nozzle \varnothing 0.8 - 50/60A S2008X	5	9	.11.835.201.081	60561	Shield cap Z501	1
	.11.843.021.409	51625.09	Nozzle \varnothing 0.9 - 70/80A S2009X	5	10	.11.843.121.310	52717AG	Electrode O ₂ XL S012X Silver	5
	.11.843.021.410	51625.10	Nozzle \varnothing 1.0 - 80/90A S2010X	5	11	.11.835.421.303	60064	Spacer Max Life Z111A	5
	.11.843.021.411	51625.11	Nozzle \varnothing 1.1 - 90/100A S2011X	5	12	.11.834.321.153	60066	Swirl ring Max Life Z111	2
	.11.843.021.412	51625.12	Nozzle \varnothing 1.2 - 100/130A S2012X	5	13	.11.843.121.412	51626.12	Nozzle \varnothing 1.2 - 100A S2112X	5
	.11.843.021.414	51625.14	Nozzle \varnothing 1.4 - 130/160A S2014X	5		.11.843.121.414	51626.14	Nozzle \varnothing 1.4 - 130A S2114X	5
	.11.843.021.416	51625.16	Nozzle \varnothing 1.6 - 160A S2016X	5		.11.843.121.416	51626.16	Nozzle \varnothing 1.6 - 160A S2116X	5

KJELLBERG®

PA-50®

PA-S75®

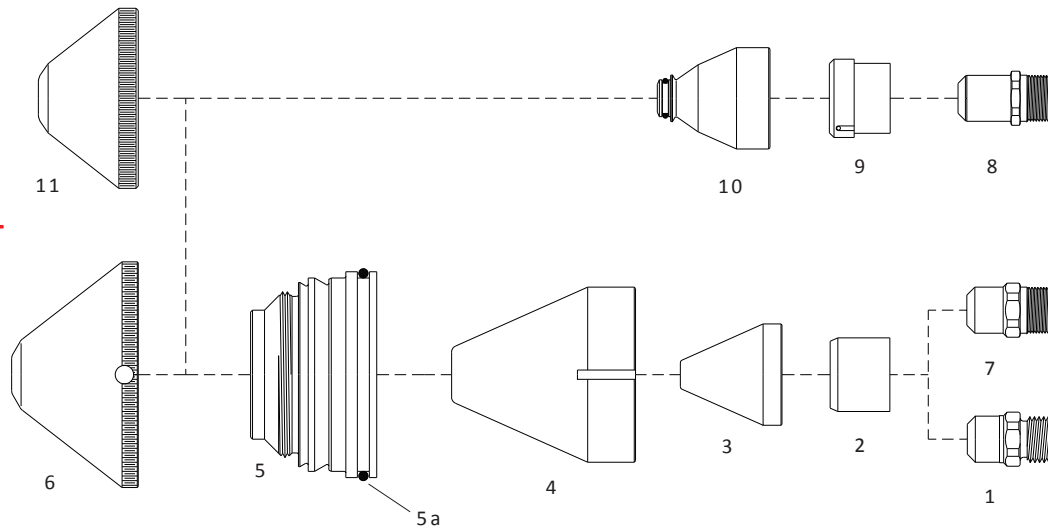
PA-S76®

PB-S77®

FINEFOCUS 800®

FINEFOCUS 900®

FINEFOCUS 1600®

ON REQUEST

No.	Ref.	Code	Description	Pkg.	No.	Ref.	Code	Description	Pkg.
1	.12.40870	52700XF	Electrode K2 Air	5	6	.11.833.101.158	60595.50	Shield cap ø 5.0 V4350	5
	.11.828.921.300	52700AG	Electrode K2 - XL Silver	5		.11.833.101.159	60595.60	Shield cap ø 6.0 V4360	5
2	.12.40860	60067	Swirl ring Teflon V101	2	7	.11.833.121.300	52702AG	Electrode K3 XL Silver	5
	.12.40860	60067/V	Swirl ring Max Life V101	2	8	.11.836.921.300	52703AG	Electrode T012 Silver	5
3	.11.828.901.414	51306XF	Nozzle L3 XL O ₂ 120A	5	9	.11.836.921.154	60069	Swirl ring T102 Teflon	2
	.11.828.901.420	51307XF	Nozzle L1 XL O ₂ 160A	5		.11.836.921.153	60070	Swirl ring T101 Teflon	2
	.11.828.901.425	51308XF	Nozzle L2 XL O ₂ 250A	5	10	.11.836.921.420	51303	Nozzle - 200A T2120	5
4	.12.37790	60364	Conical retaining cap ø 38 V3000	2		.11.836.921.425	51304	Nozzle - 250A T2125	5
5	.11.833.101.271	60590	Nozzle fiberglass V521	1		.11.836.921.427	51305	Nozzle - 300A T2127	5
5 a	.10.505.961	60590.41	O-Ring Silicone	10	11	.11.833.111.155	60594.30	Shield cap ø 3.0 V4530	5
6	.11.833.101.150	60595.30	Shield cap ø 3.0 V4330	5		.11.833.111.156	60594.40	Shield cap ø 4.0 V4540	5
	.11.833.101.155	60595.35	Shield cap ø 3.5 V4335	5			60594.45	Shield cap ø 4.5 V4545	5
	.11.833.101.156	60595.40	Shield cap ø 4.0 V4340	5		.11.833.111.158	60594.50	Shield cap ø 5.0 V4550	5
	.11.833.101.157	60595.45	Shield cap ø 4.5 V4345	5		.11.833.111.159	60594.60	Shield cap ø 6.0 V4560	5