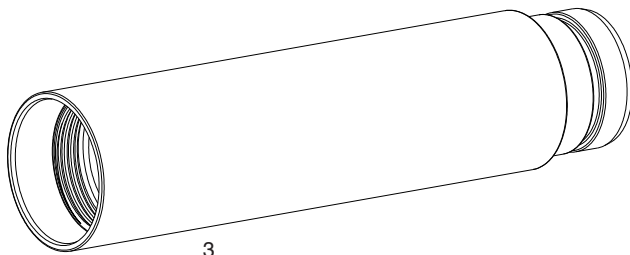
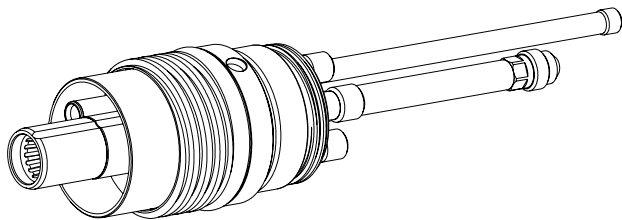
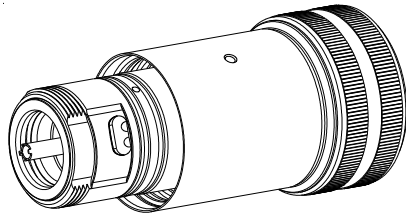


**HYPERTHERM®**

HPR-130/260®

Upgrade HD3070®



**ALL our Electrodes MUST BE USED with our water cooling tube**

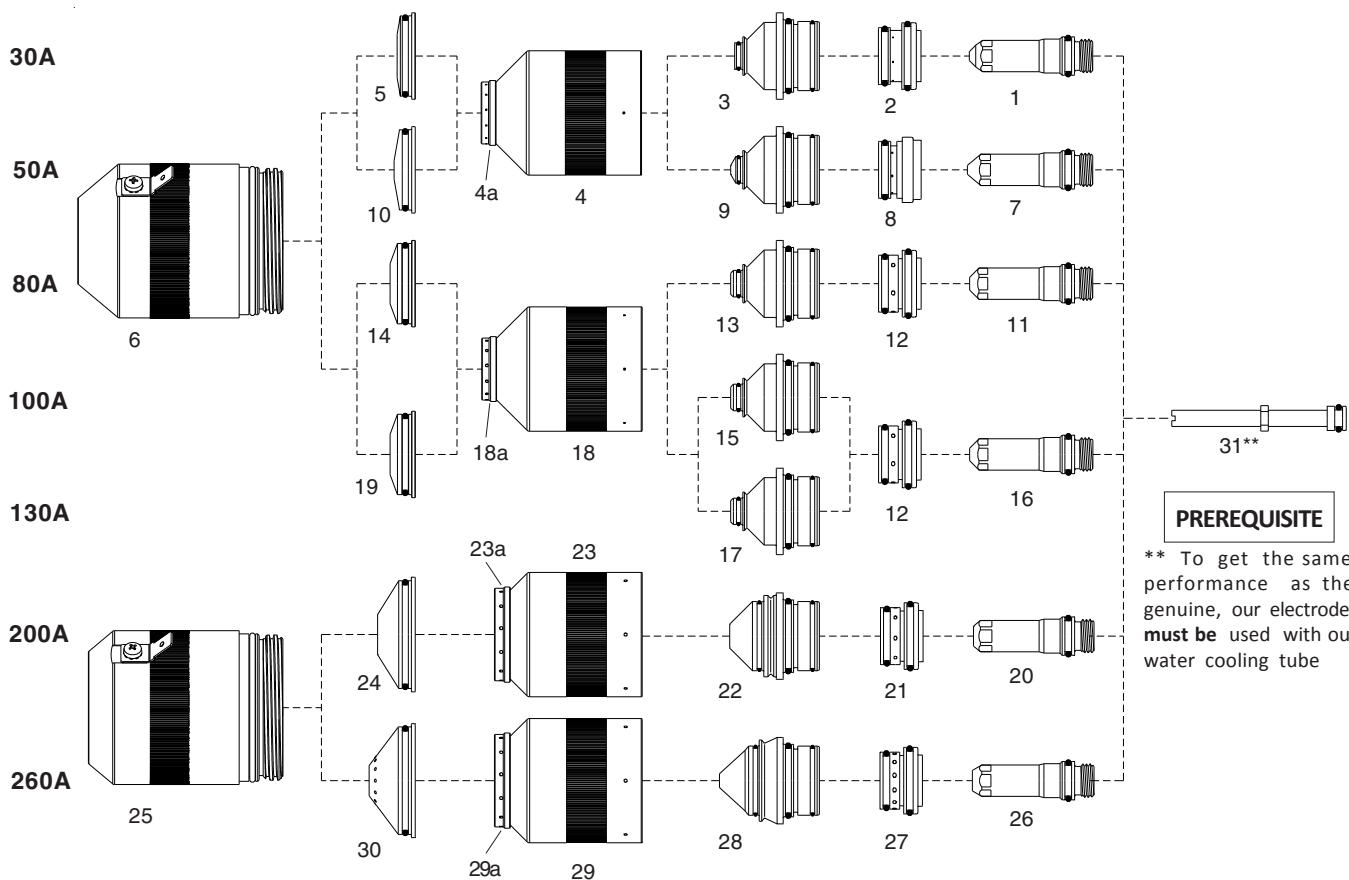
No.	Ref.	Code	Description	Pkg.	No.	Ref.	Code	Description	Pkg.
1	220162	08405	Torch head HPR-130/260 (no XD)	1	<b>08405-Kit1 STARTER KIT 1 - 130A:</b>				
2	220163	08410	Quick-disconnect receptacle	1	220162	08405	Quick-disconnect torch	1	
3	220232	08411	Mounting sleeve	1	220163	08410	Quick-disconnect receptacle	1	
					220181TD	52745	Electrode 130A	2	
					220179	60142	Swirl Ring 80/130A	1	
					220182	51732	Nozzle 130A	2	
					220176	60771	Retaining cap 80/130A	1	
					220173	60774	Shield cap 30/130A "Top Quality"	1	
					220183	60745	Shield 130A	1	
					104119	08405.60	Wrench	1	
					<b>08405-Kit2 STARTER KIT 2 - 260A:</b>				
					220162	08405	Quick-disconnect torch	1	
					220163	08410	Quick-disconnect receptacle	1	
					220435TD	52747	Electrode 260A	2	
					220436	60144	Swirl Ring 260A	1	
					220439	51734	Nozzle 260A	2	
					220433	60773	Retaining cap 260A	1	
					220398	60775	Shield cap 200/260A "Top Quality"	1	
					220183	60745	Shield 130A	1	
					220440	60747	Shield 260A	1	
					104119	08405.60	Wrench	1	

Replacement parts suitable for:

**HYPERTHERM®**

HPR-130/260®

Upgrade HD3070®

**MILD STEEL****USE the same OEM gas regulation tables**

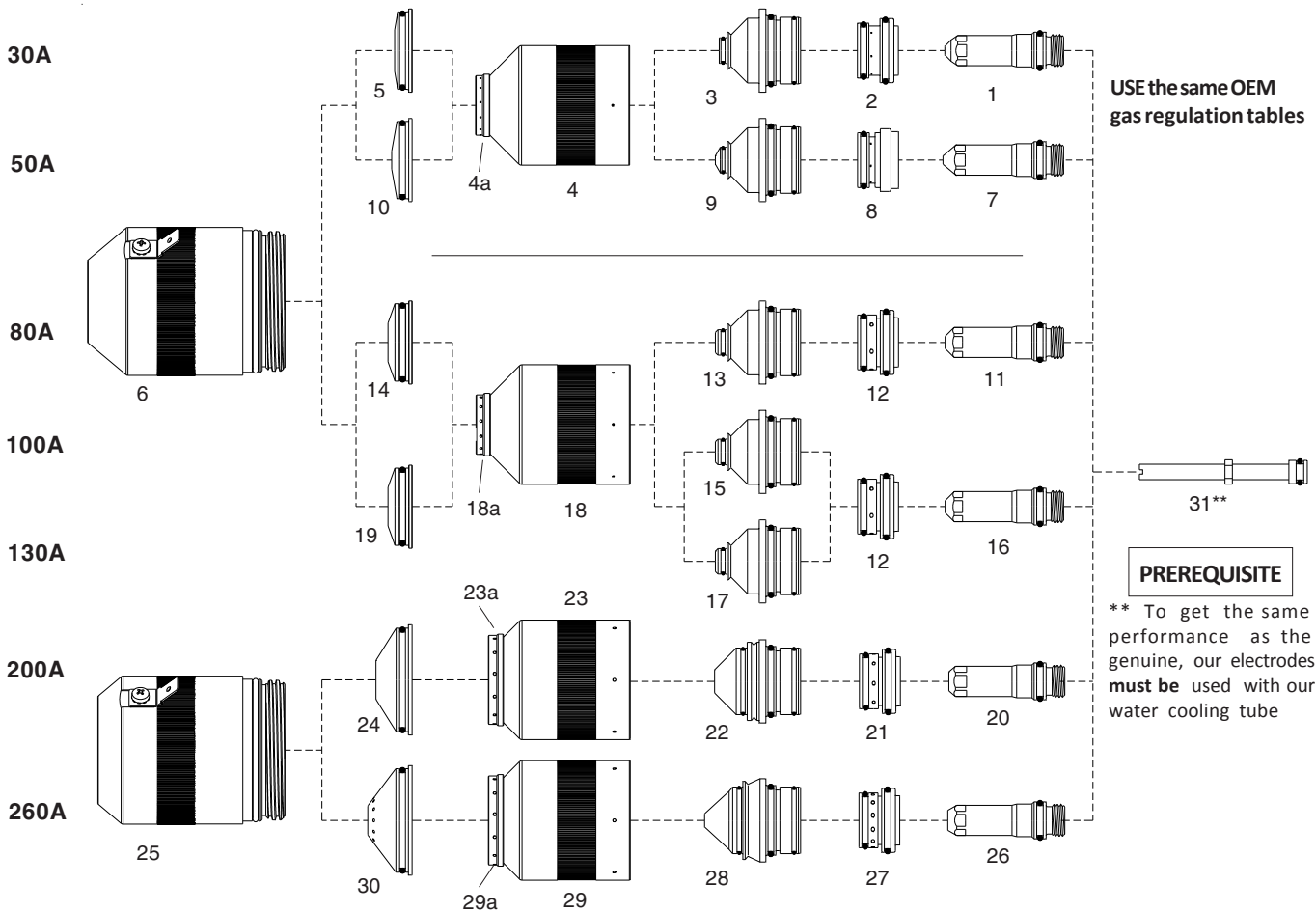
No.	Ref.	Code	Description	Pkg.	No.	Ref.	Code	Description	Pkg.
1	220192TD	52741	Electrode 30A	10	19	220183	60745	Shield 130A	1
2	220180	60140	Swirl Ring 30A Max Life	1	20	220352TD	52746	Electrode 200A	10
	220180	60140L	Swirl Ring 30A <b>LAVA</b>	1		220352TD	52746BME	Electrode 200A <b>Silver Ring</b>	10
3	220193	51729	Nozzle 30A	5	21	220353	60143	Swirl Ring 200A Max Life	1
4	220313	60770	Retaining cap 30/50A	1		220353	60143L	Swirl Ring 200A <b>LAVA</b>	1
5	220194	60741	Shield 30A	1	22	220354	51733	Nozzle 200A	5
6	220173	60774	Shield cap 30/130A "Top Quality"	1	23	220355	60772	Retaining cap 200A	1
	220173L	60774L	Shield cap 30/130A	1	24	220356	60746	Shield 200A (no XD)	1
7	220552TD	52742	Electrode 50A	10	25	220398	60775	Shield cap 200/260A "Top Quality"	1
8	220553	60141	Swirl Ring 50A Max Life	1		220398L	60775L	Shield cap 200/260A	1
	220553	60141L	Swirl Ring 50A <b>LAVA</b>	1	26	220435TD	52747	Electrode 260A	10
9	220554	51730	Nozzle 50A	5		220435TD	52747BME	Electrode 260A <b>Silver Ring</b>	10
10	220555	60742	Shield 50A	1	27	220436	60144	Swirl Ring 260A Max Life	1
11	220187TD	52743	Electrode 80A	10		220436	60144L	Swirl Ring 260A <b>LAVA</b>	1
12	220179	60142	Swirl Ring 80/130A Max Life	1	28	220439	51734	Nozzle 260A	5
	220179	60142L	Swirl Ring 80/130A <b>LAVA</b>	1	29	220433	60773	Retaining cap 260A	1
13	220188	51731	Nozzle 80A	5	30	220440	60747	Shield 260A (no XD)	1
14	220189	60743	Shield 80A	1	31	220340TD	60740**	Water cooling tube	1
15	220510	51735	Nozzle 100A	5					
16	220181TD	52745	Electrode 130A	10	4a	220313 ring	60150	for Retaining Cap 30/50A	2
	220181TD	52745BME	Electrode 130A <b>BiMetal</b>	10	18a	220176 ring	60151	for Retaining Cap 80/130A	2
17	220182	51732	Nozzle 130A	5	23a	220355 ring	60152	for Retaining Cap 200A	2
18	220176	60771	Retaining cap 80/130A	1	29a	220433 ring	60153	for Retaining Cap 260A	2

**HYPERTHERM®**

HPR-130/260®  
Upgrade HD3070®

**MILD STEEL  
SINGLE NOZZLES**

**DIFFER FROM OEM DESIGN**



● **MUST BE USED with a MANUAL gas control console ONLY**  
 "MILD STEEL Air/O<sub>2</sub>": cut the plasma gas flow by 20% against the OEM regulation table.

No.	Ref.	Code	Description	Pkg.	No.	Ref.	Code	Description	Pkg.
1	220192TD	52741	Electrode 30A	10	19	220183	60745	Shield 130A	1
2	220180	60140	Swirl Ring 30A Max Life	1	20	220352TD	52746	Electrode 200A	10
		220180	60140L Swirl Ring 30A LAVA	1		220352TD	52746BME	Electrode 200A Silver Ring	10
3	220193	51741	Nozzle 30A	5	21	220353	60143	Swirl Ring 200A Max Life	1
4	220313	60770	Retaining cap 30/50A	1		220353	60143L	Swirl Ring 200A LAVA	1
5	220194	60741	Shield 30A	1	22	220354	51746	Nozzle 200A	5
6	220173	60774	Shield cap 30/130A "Top Quality"	1	23	220355	60772	Retaining cap 200A	1
	220173L	60774L	Shield cap 30/130A	1	24	220356	60746	Shield 200A	1
7	220552TD	52742	Electrode 50A	10	25	220398	60775	Shield cap 200/260A "Top Quality"	1
8	220553	60141	Swirl Ring 50A Max Life	1		220398L	60775L	Shield cap 200/260A	1
	220553	60141L	Swirl Ring 50A LAVA	1	26	220435TD	52747	Electrode 260A	10
9	220554	51742	Nozzle 50A	5		220435TD	52747BME	Electrode 260A Silver Ring	10
10	220555	60742	Shield 50A	1	27	220436	60144	Swirl Ring 260A Max Life	1
11	220187TD	52743	Electrode 80A	10		220436	60144L	Swirl Ring 260A LAVA	1
12	220179	60142	Swirl Ring 80/130A Max Life	1	28	220439	51747	Nozzle 260A	5
	220179	60142L	Swirl Ring 80/130A LAVA	1	29	220433	60773	Retaining cap 260A	1
13	220188	51743	Nozzle 80A	5	30	220440	60747	Shield 260A	1
14	220189	60743	Shield 80A	1	31	220340TD	60740**	Water cooling tube	1
15	220510	51744	Nozzle 100A	5					
16	220181TD	52745	Electrode 130A	10	4a	220313 ring	60150	for Retaining Cap 30/50A	2
	220181TD	52745BME	Electrode 130A Silver Ring	10	18a	220176 ring	60151	for Retaining Cap 80/130A	2
17	220182	51745	Nozzle 130A	5	23a	220355 ring	60152	for Retaining Cap 200A	2
18	220176	60771	Retaining cap 80/130A	1	29a	220433 ring	60153	for Retaining Cap 260A	2

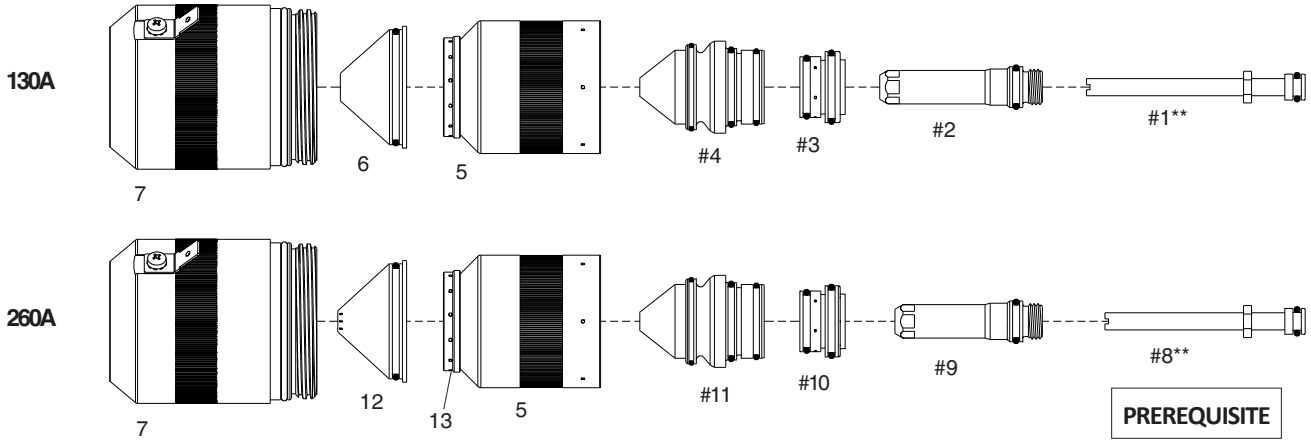
S.G.P.P. srls is in no way affiliated or connected with any of the manufacturers referred to in this catalogue. The parts advertised for sale are not genuine parts, but are parts made for and by S.G.P.P. srls. The use of original equipment manufacturer's part numbers and/or any manufacturer's registered or unregistered trade marks are for your convenience only.

Replacement parts suitable for:

**HYPERTHERM®**

HPR-130/260®  
HPR-130/260® XD #

**MILD STEEL  
BEVEL**



**PREREQUISITE**

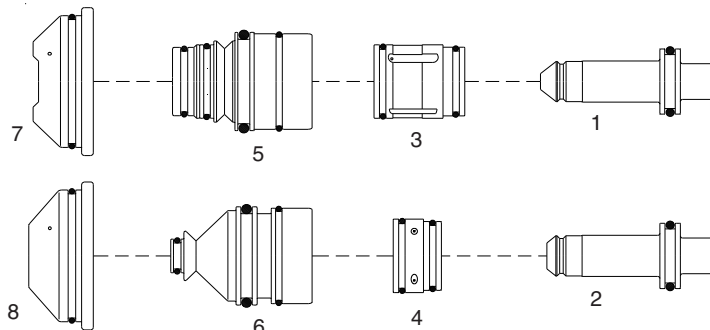
\*\* To get the same performance as the genuine, our electrodes **must be** used with our water cooling tube

No.	Ref.	Code	Description	Pkg.	No.	Ref.	Code	Description	Pkg.
1	220700TD	60738**	Cooling tube 130A	1	220398L	60775L	Shield Cap 130/260A	1	
2	220649TD	52736	Electrode 130A	5	8	220571TD	60739**	Cooling tube 260A	1
	220649TD	52736BME	Electrode 130A <b>Silver Ring</b>	5	9	220541TD	52737	Electrode 260A	10
3	220179	60142	Swirl Ring 130A Max Life	1		220541TD	52737BME	Electrode 260A <b>Silver Ring</b>	10
	220179	60142L	Swirl Ring 130A <b>LAVA</b>	1	10	220436	60144	Swirl Ring 260A Max Life	1
4	220646	51736	Nozzle 130A	5		220436	60144L	Swirl Ring 260A <b>LAVA</b>	1
5	220603	60778	Retaining Cap 130/260A	1	11	220542	51737	Nozzle 260A	5
6	220645	60766	Shield 130A	1	12	220545	60767	Shield Cap 260A	1
7	220398	60775	Shield Cap 130/260A "Top Quality"	1	13	220545 ring	60156	for Retaining Cap 130/260A	2

**HYPERTHERM®**

HD1070® HD3070®

**ON REQUEST**



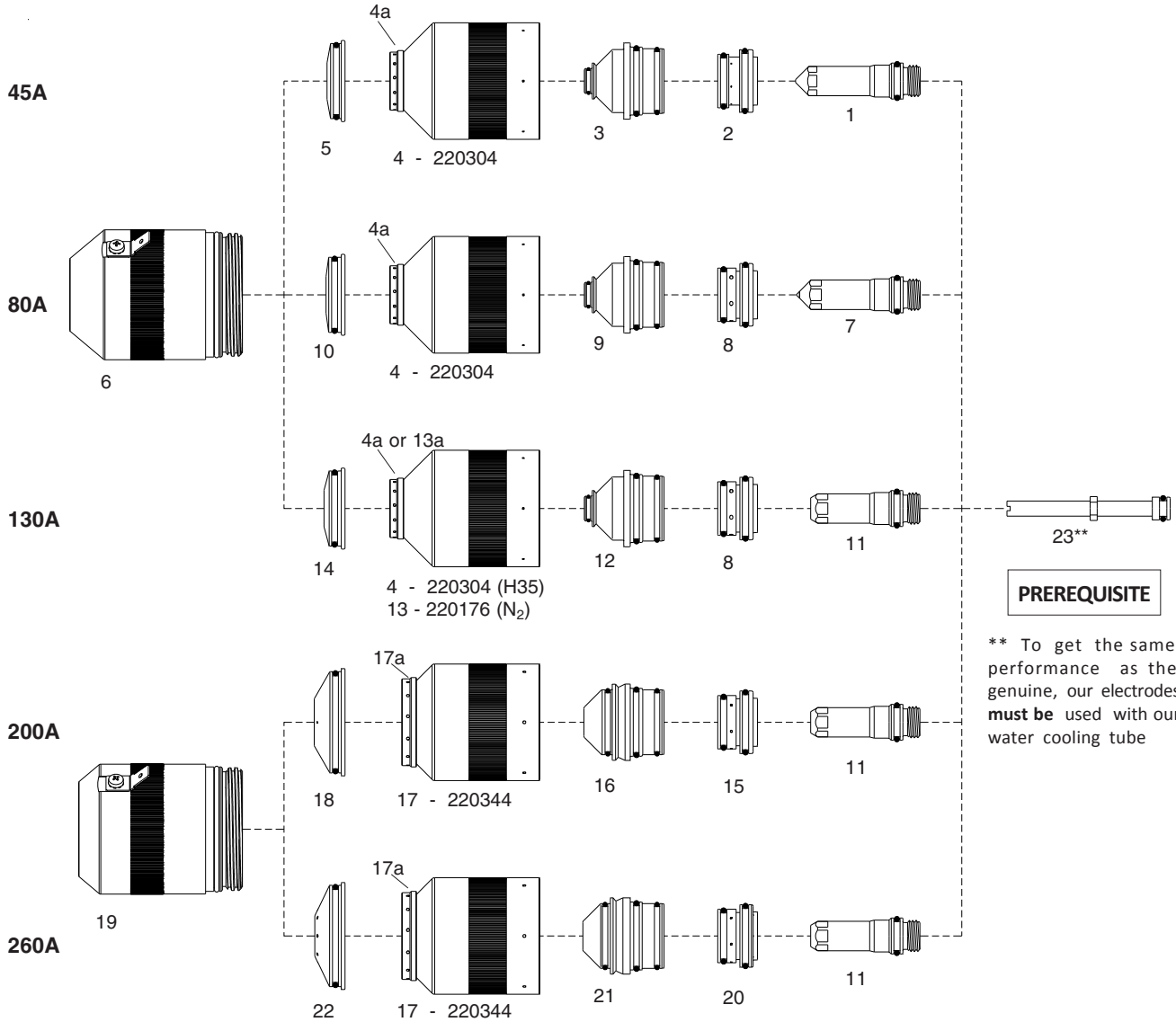
No.	Ref.	Code	Description	Pkg.	No.	Ref.	Code	Description	Pkg.
1	120112	52622	Electrode 70A	10	5	020647	51397	Tip 70A	5
2	120410	52623	Electrode 100A	10	6	120272	51398	Tip 100A	5
3	020789	60048	Swirl ring 70A	1	7	020796	51937	Shield 70A	1
4	020637	60049	Swirl ring 100A	1	8	120273	51938	Shield 100A	1

S.G.P.P. srls is in no way affiliated or connected with any of the manufacturers referred to in this catalogue. The parts advertised for sale are not genuine parts, but are parts made for and by S.G.P.P. srls. The use of original equipment manufacturer's part numbers and/or any manufacturer's registered or unregistered trade marks are for your convenience only.

**HYPERTHERM®**

HPR-130/260®

**STAINLESS STEEL**



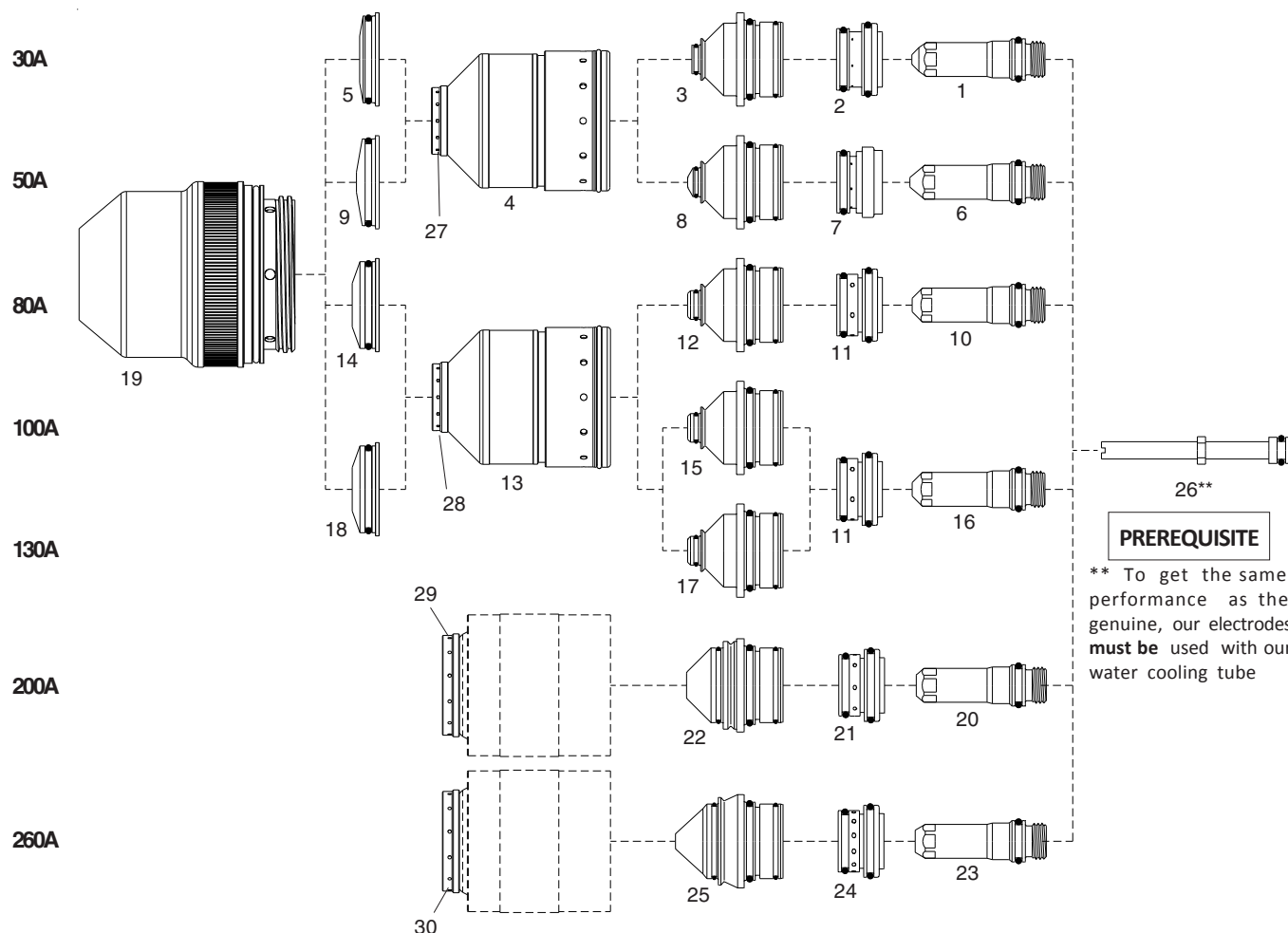
No.	Ref.	Code	Description	Pkg.	No.	Ref.	Code	Description	Pkg.
1	220308	52752	Electrode 45A	10	14	220198	60733	Shield 130A	1
2	220180	60140	Swirl Ring 45A Max Life	1	15	220342	60145	Swirl Ring 200A Max Life	1
	220180	60140L	Swirl Ring 45A LAVA	1	16	220343	51754	Nozzle 200A	5
3	220201	51751	Nozzle 45A	5	17	220344	60777	Retaining Cap 200-260A	1
4	220304	60776	Retaining Cap 45-130A (H35)	1	18	220345	60734	Shield 200A	1
5	220202	60731	Shield 45A	1	19	220398	60775	Shield Cap 200-260A "Top Quality"	1
6	220173	60774	Shield Cap 45-130A "Top Quality"	1		220398L	60775L	Shield Cap 200-260A	1
	220173L	60774L	Shield Cap 45-130A	1	20	220405	60146	Swirl Ring 260A Max Life	1
7	220339	52753	Electrode 80A	10	21	220406	51755	Nozzle 260A	5
8	220179	60142	Swirl Ring 80-130A Max Life	1	22	220407	60735	Shield 260A	1
	220179	60142L	Swirl Ring 80-130A LAVA	1	23	220340TD	60740**	Water cooling tube	1
9	220337	51752	Nozzle 80A	5					
10	220338	60732	Shield 80A	1					
11	220307	52754	Electrode 130-260A	10	13a	220176 ring	60151	for Retaining Cap 130A (N2)	2
12	220197	51753	Nozzle 130A	5	4a	220304 ring	60154	for Retaining Cap 45-130A (H35)	2
13	220176	60771	Retaining Cap 130A (N2)	1	17a	220344 ring	60155	for Retaining Cap 200-260A	2

S.G.P.P. srls is in no way affiliated or connected with any of the manufacturers referred to in this catalogue. The parts advertised for sale are not genuine parts, but are parts made for and by S.G.P.P. srls. The use of original equipment manufacturer's part numbers and/or any manufacturer's registered or unregistered trade marks are for your convenience only.

Replacement parts suitable for:

**HYPERTHERM®****MILD STEEL**

HPR-130/260® XD



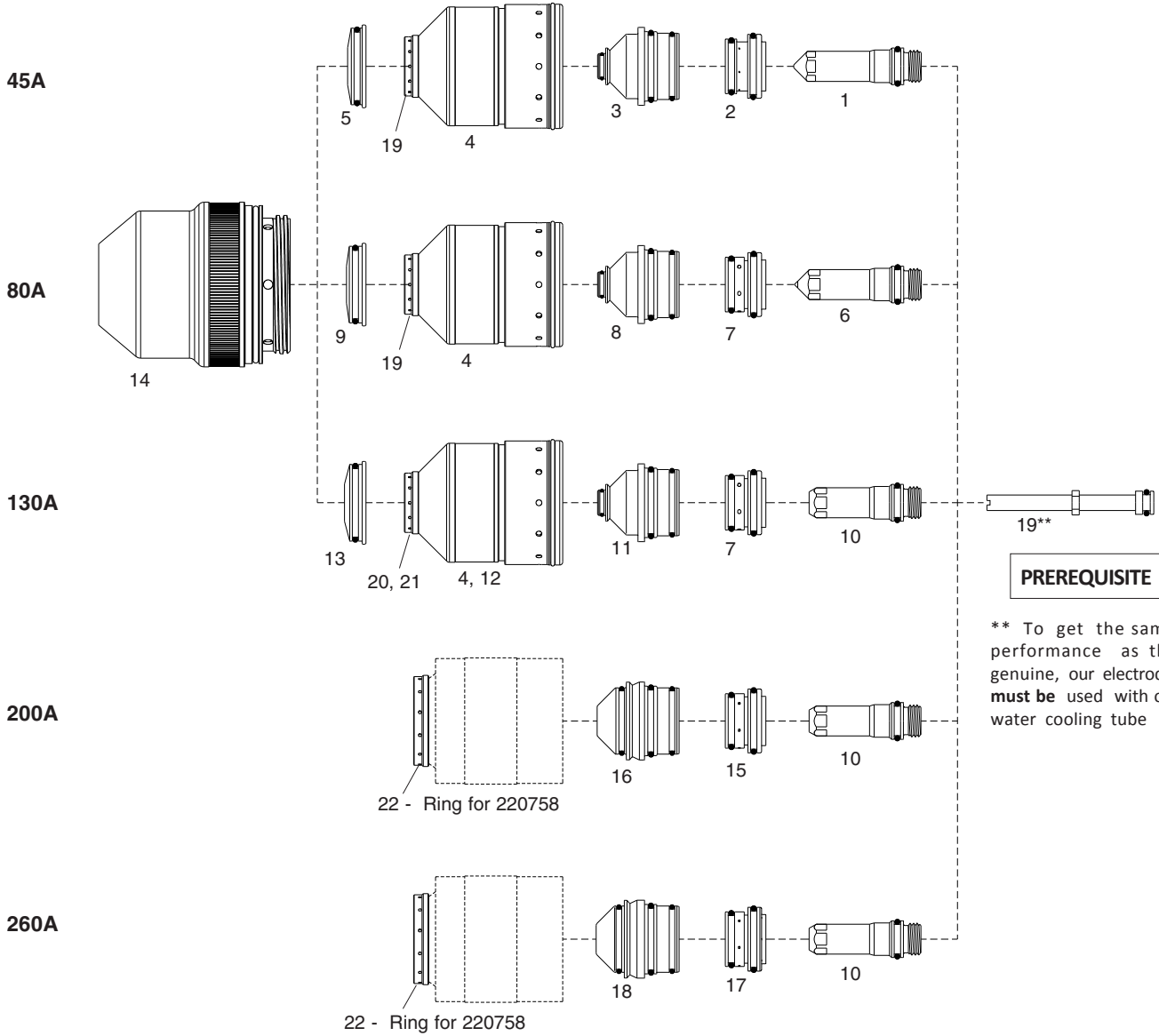
USE the same OEM gas regulation tables

No.	Ref.	Code	Description	Pkg.	No.	Ref.	Code	Description	Pkg.
1	220192TD	52741	Electrode 30A	10	17	220182	51732	Nozzle 130A	5
2	220180	60140	Swirl Ring 30A Max Life	1	18	220183	60745	Shield 130A	1
	220180	60140L	Swirl Ring 30A LAVA	1	19	220747	60794	Shield Cap 30-130A	1
3	220193	51729	Nozzle 30A	5	20	220352TD	52746	Electrode 200A	10
4	220754	60790	Retaining Cap 30-50A	1		220352TD	52746BME	Electrode 200A <b>Silver Ring</b>	10
5	220194	60741	Shield 30A	1	21	220353	60143	Swirl Ring 200A Max Life	1
6	220552TD	52742	Electrode 50A	10		220353	60143L	Swirl Ring 200A LAVA	1
7	220553	60141	Swirl Ring 50A Max Life	1	22	220354	51733	Nozzle 200A	5
	220553	60141L	Swirl Ring 50A LAVA	1	23	220435TD	52747	Electrode 260A	10
8	220554	51730	Nozzle 50A	5		220435TD	52747BME	Electrode 260A <b>Silver Ring</b>	10
9	220555	60742	Shield 50A	1	24	220436	60144	Swirl Ring 260A Max Life	1
10	220187TD	52743	Electrode 80A	10		220436	60144L	Swirl Ring 260A LAVA	1
11	220179	60142	Swirl Ring 80/130A Max Life	1	25	220439	51734	Nozzle 260A	5
	220179	60142L	Swirl Ring 80/130A LAVA	1	26	220340TD	60740**	Water cooling tube	1
12	220188	51731	Nozzle 80A	5					
13	220756	60791	Retaining Cap 80-130A	1	27	220754 ring	60150	for Retaining Cap 30/50A	2
14	220189	60743	Shield 80A	1	28	220756 ring	60151	for Retaining Cap 80/130A	2
15	220510	51735	Nozzle 100A	5	29	220757 ring	60152	for Retaining Cap 200A	2
16	220181TD	52745	Electrode 130A	10	30	220760 ring	60153	for Retaining Cap 260A	2
	220181TD	52745BME	Electrode 130A <b>Silver Ring</b>	10					

**HYPERTHERM®**

HPR-130/260® XD

**STAINLESS STEEL**



No.	Ref.	Code	Description	Pkg.	No.	Ref.	Code	Description	Pkg.
1	220308TD	52752	Electrode 45A	10	11	220197	51753	Nozzle 130A	5
2	220180	60140	Swirl Ring 45A Max Life	1	12	220756	60791	Retaining Cap 130A (N2)	1
	220180	60140L	Swirl Ring 45A LAVA	1	13	220198	60733	Shield 130A	1
3	220201	51751	Nozzle 45A	5	14	220747	60794	Shield Cap 30-130A	1
4	220755	60796	Retaining Cap 45-130A (H35)	1	15	220342	60145	Swirl Ring 200A Max Life	1
5	220202	60731	Shield 45A	1	16	220343	51754	Nozzle 200A	5
6	220339TD	52753	Electrode 80A	10	17	220405	60146	Swirl Ring 260A Max Life	1
7	220179	60142	Swirl Ring 80-130A Max Life	1	18	220406	51755	Nozzle 260A	5
	220179	60142L	Swirl Ring 80-130A LAVA	1	19	220340TD	60740**	Water cooling tube	1
8	220337	51752	Nozzle 80A	5	20	220755 ring	60154	for Retaining Cap 45-130A (H35)	2
9	220338	60732	Shield 80A	1	21	220556 ring	60151	for Retaining Cap 130A (N2)	2
10	220307TD	52754	Electrode 130-260A	10	22	220758 ring	60155	for Retaining Cap 200-260A	2

S.G.P.P. srls is in no way affiliated or connected with any of the manufacturers referred to in this catalogue. The parts advertised for sale are not genuine parts, but are parts made for and by S.G.P.P. srls. The use of original equipment manufacturer's part numbers and/or any manufacturer's registered or unregistered trade marks are for your convenience only.

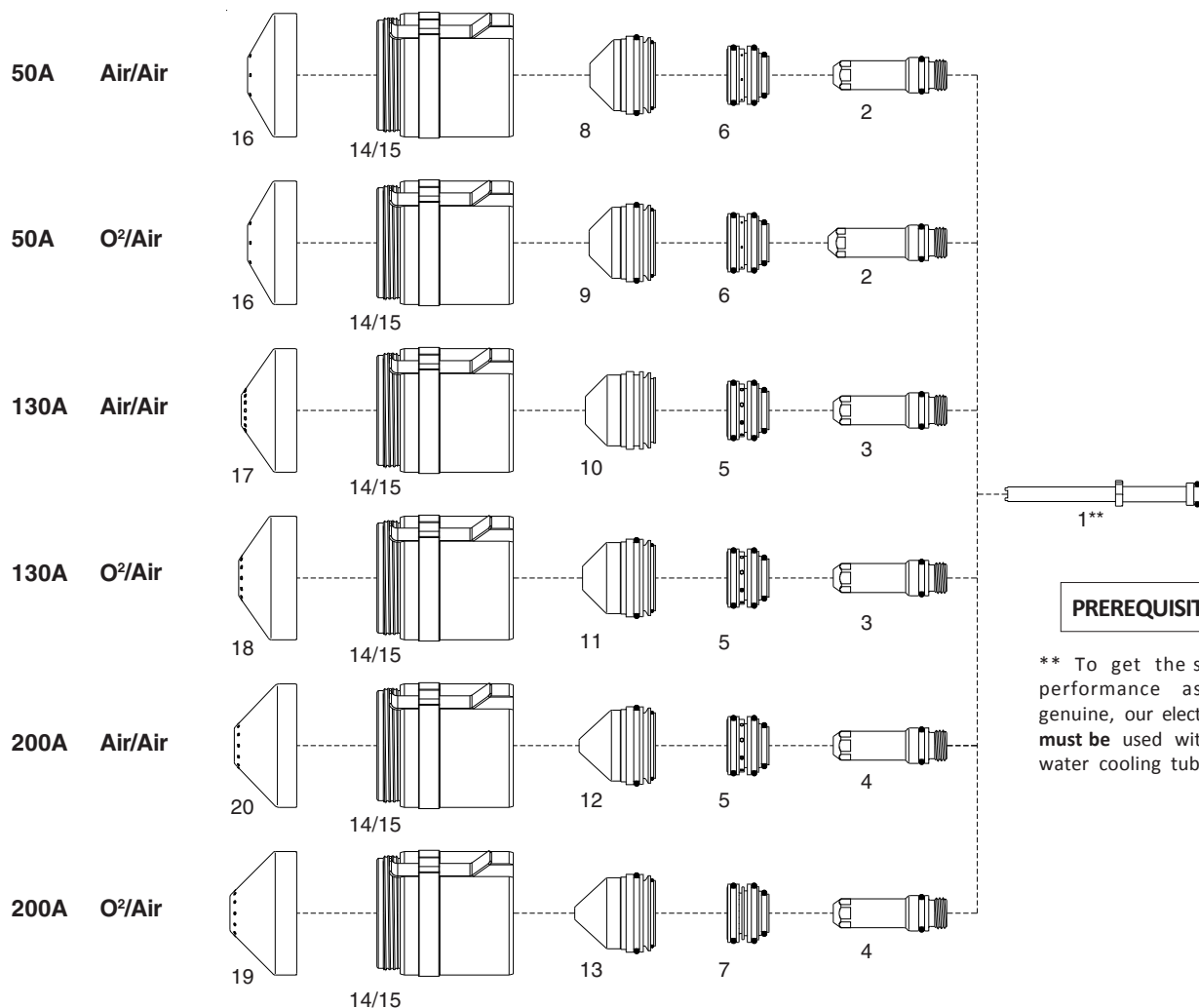
Replacement parts suitable for:

**HYPERTHERM®**

MAXPRO200®

HyPro® upgrade torch fo Max 200®

HyPro® upgrade torch fo HT 2000®

**Mild Steel**

No.	Ref.	Code	Description	Pkg.	No.	Ref.	Code	Description	Pkg.
1	220521TD	60737**	Cooling Tube	1	9	220891	51791TD	Nozzle 50A O <sup>2</sup>	5
2	220528TD	52780TD	Electrode 50A Air/O <sup>2</sup>	10	10	220892	51792TD	Nozzle 130A Air	5
3	220487TD	52781TD	Electrode 130A Air/O <sup>2</sup>	10	11	220893	51793TD	Nozzle 130A O <sup>2</sup>	5
4	220937TD	52782TD	Electrode 200A Air/O <sup>2</sup>	10	12	420044	51794TD	Nozzle 200A Air	5
					13	220831	51795TD	Nozzle 200A O <sup>2</sup>	5
5	220488	60137	Swirl Ring 130-200A Air / 130A O <sup>2</sup> Max Life	1	14	220935	60326	Retaining Cap	1
	220488	60137L	Swirl Ring 130-200A Air / 130A O <sup>2</sup> LAVA	1	15	220936	60326H	Retaining Cap OHMIC	1
6	220529	60138	Swirl Ring 50A Air-O <sup>2</sup> / N <sup>2</sup> Max Life	1	16	220532	60780	Shield 50A Air/O <sup>2</sup>	1
	220529	60138L	Swirl Ring 50A Air-O <sup>2</sup> / N <sup>2</sup> LAVA	1	17	220536	60781	Shield 130A Air/N <sup>2</sup>	1
7	220834	60139	Swirl Ring 200A O <sup>2</sup> Max Life	1	18	220491	60782	Shield 130A O <sup>2</sup>	1
	220834	60139L	Swirl Ring 200A O <sup>2</sup> LAVA	1	19	220832	60783	Shield 200A O <sup>2</sup>	1
8	220890	51790TD	Nozzle 50A Air	5	20	420045	60784	Shield 200A Air	1



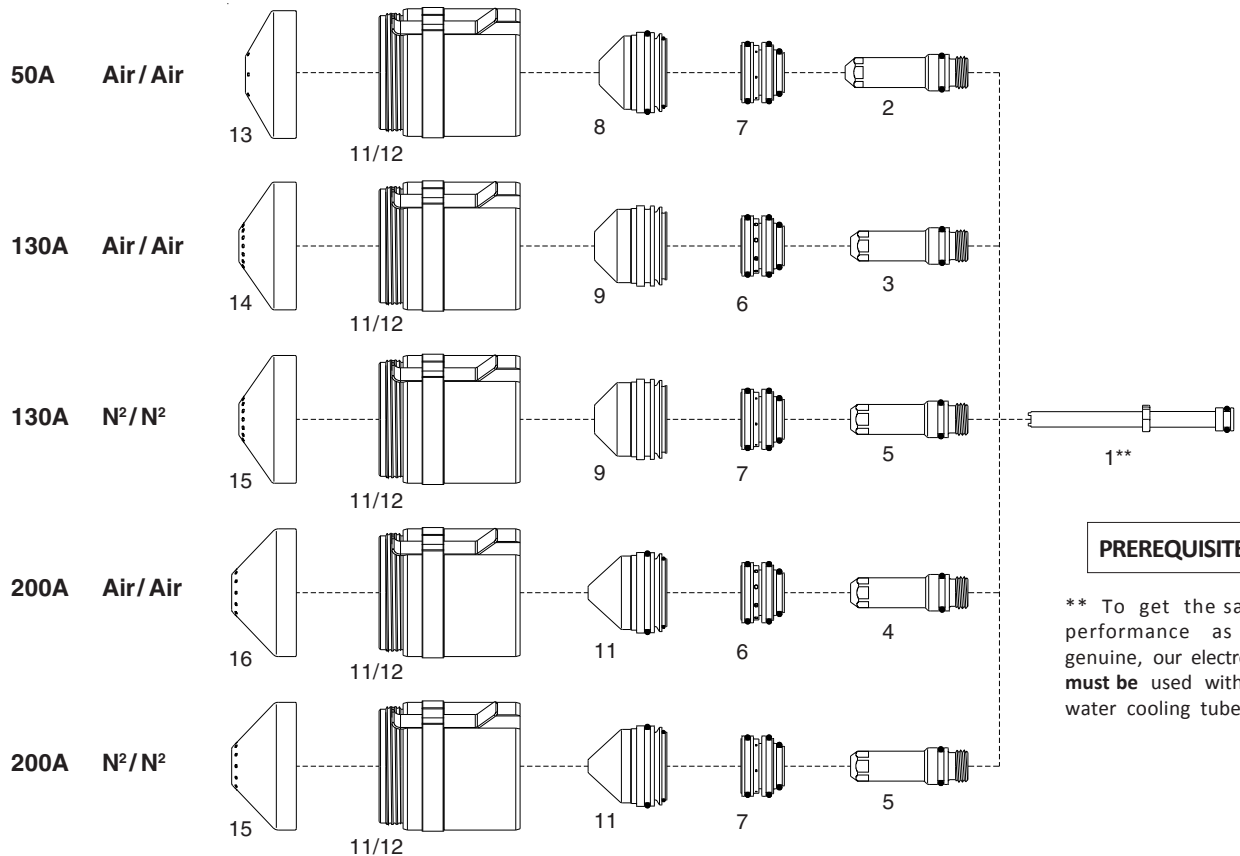
# HYPERTHERM®

MAXPRO200®

HyPro® upgrade torch fo Max 200®

HyPro® upgrade torch fo HT 2000®

## Stainless Steel & Aluminium

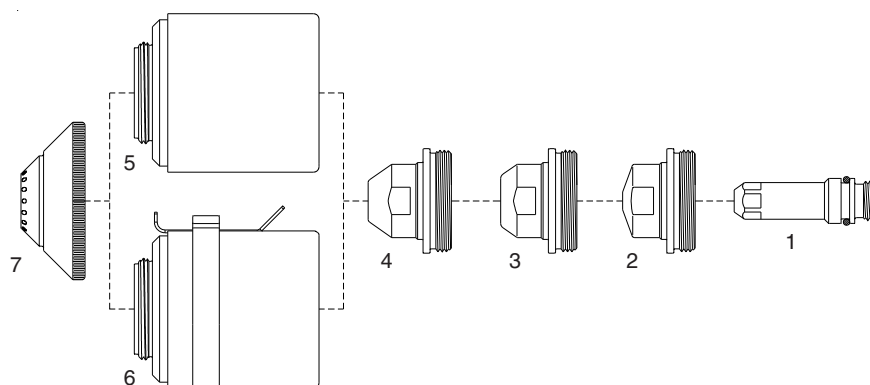


**PREREQUISITE**

\*\* To get the same performance as the genuine, our electrodes **must be** used with our water cooling tube

No.	Ref.	Code	Description	Pkg.	No.	Ref.	Code	Description	Pkg.
1	220521TD	60737**	Cooling Tube	1	8	220890	51790TD	Nozzle 50A Air	5
2	220528TD	52780TD	Electrode 50A Air/O <sup>2</sup>	10	9	220892	51792TD	Nozzle 130A Air	5
3	220487TD	52781TD	Electrode 130A Air/O <sup>2</sup>	10	10	420044	51794TD	Nozzle 200A Air	
4	220937TD	52782TD	Electrode 200A Air/O <sup>2</sup>	10	11	220935	60326	Retaining Cap	1
5	020415TD	52783TD	Electrode 130-200A N <sup>2</sup>	10	12	220936	60326H	Retaining Cap OHMIC	1
6	220488	60137	Swirl Ring 130-200A Air / 130A O <sup>2</sup> Max Life	1	13	220532	60780	Shield 50A Air/O <sup>2</sup>	1
	220488	60137L	Swirl Ring 130-200A Air / 130A O <sup>2</sup> LAVA	1	14	220536	60781	Shield 130A Air/N <sup>2</sup>	1
7	220529	60138	Swirl Ring 50A Air-O <sup>2</sup> / N <sup>2</sup> Max Life	1	15	420045	60784	Shield 200A Air	1
	220529	60138L	Swirl Ring 50A Air-O <sup>2</sup> / N <sup>2</sup> LAVA	1					

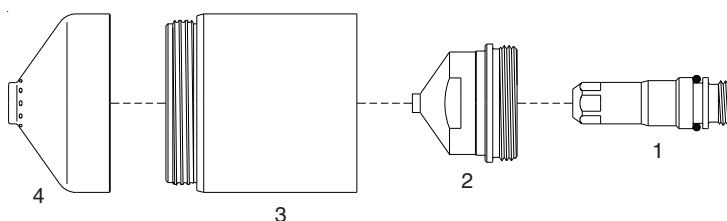
## Replacement parts suitable for:

**HYPERTHERM®**MAX 200® PAC200T/E®  
HT-2000®

No.	Ref.	Code	Description	Pkg.	No.	Ref.	Code	Description	Pkg.
1	120547	52619	Electrode, O <sub>2</sub> , Air, 100A	10	4	020690	51319	Nozzle .055, O <sub>2</sub> , 100A (HT-2000®)	5
	120667	52620/TD	Electrode, O <sub>2</sub> , Air, 200A (replaces 020664 and 020414)	10		020605	51320	Nozzle .082, O <sub>2</sub> , 200A	5
	120667	52620BM	Electrode, O <sub>2</sub> , Air, 200A <b>BiMetal</b> (replaces 020664 and 020414)	10		020608	51321	Nozzle .086, Air, N <sub>2</sub> , Ar/H, 200A	5
	020415	<b>52783TD</b>	Electrode, Ar/H, 200A	5	5	020423	60306	Retaining cap	1
2	020689	51324/TD	Nozzle .038Air, 40A	5	6	120837	60306H	Retaining cap, <b>OHMIC</b>	1
3	020611	51322/TD	Nozzle .059, Air, N <sub>2</sub> , Ar/H, 100A	5	7	020448	51932	Shield, Air, N <sub>2</sub> , Ar/H, 100A	1
	020616	51323/TD	Nozzle .055, O <sub>2</sub> , 100A (MAX200®)	5		020424	51933	Shield, O <sub>2</sub> /Air, N <sub>2</sub> , Ar/H, 200A	1

**HYPERTHERM®**

HYSPEED® HT-2000®

**ON REQUEST**

No.	Ref.	Code	Description	Pkg.	No.	Ref.	Code	Description	Pkg.
1	220235	52618/TD	Electrode 200A O <sub>2</sub>	10	3	220238	60308	Retaining cap 200A O <sub>2</sub>	1
	220235	52618BM	Electrode 200A O <sub>2</sub> <b>BiMetal</b>	10	4	220239	51934	Shield cap 200A O <sub>2</sub>	1
2	220237	51326	Nozzle 200A O <sub>2</sub>	5					

**Notes**