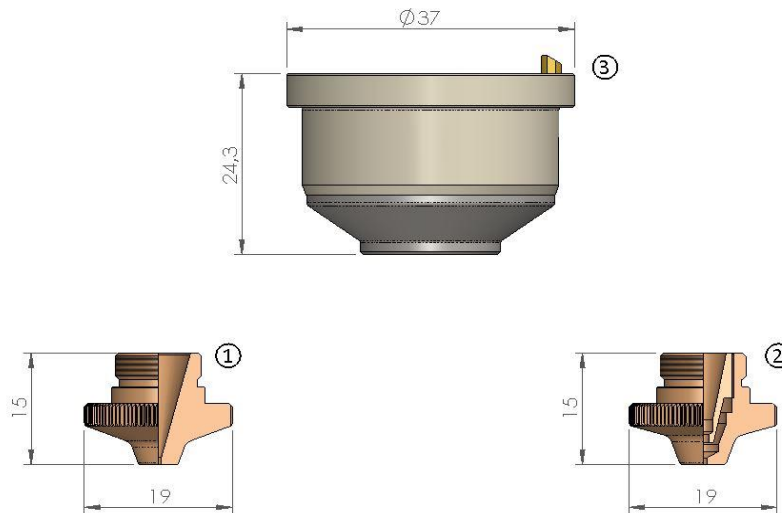


Replacement parts suitable for HANKWANG®



POS	AZ CODE	ORIGINAL CODE	DESCRIPTION	unit price	10 pack price
1	121001	NP08, MX-0988	HANKWANG® NOZZLE N Ø 0.8		
	121002	NP10, MX-0989	HANKWANG® NOZZLE N Ø 1.0		
	121003	NP12, MX-0990	HANKWANG® NOZZLE N Ø 1.2		
	121004	NP15, MX-0991	HANKWANG® NOZZLE N Ø 1.5		
	121005	NP18, MX-0993	HANKWANG® NOZZLE N Ø 1.8		
	121006	NP20, MX-0992	HANKWANG® NOZZLE N Ø 2.0		
	121007	NP25, MX-0994	HANKWANG® NOZZLE N Ø 2.5		
	121008	NP30, MX-0995	HANKWANG® NOZZLE N Ø 3.0		
2	121012	TP10	HANKWANG® DOUBLE NOZZLE N Ø 1.0		
	121013	TP15, HCH-TP1515	HANKWANG® DOUBLE NOZZLE N Ø 1.5		
	121014	TP20, HCH-TP1520	HANKWANG® DOUBLE NOZZLE N Ø 2.0		
	121015	TP25, HCH-TP1525	HANKWANG® DOUBLE NOZZLE N Ø 2.5		
	121016	TP30, HCH-TP2030	HANKWANG® DOUBLE NOZZLE N Ø 3.0		
	121017		HANKWANG® DOUBLE NOZZLE N Ø 4.0		
3	129001	HCH-S01201	HANKWANG® CERAMIC NOZZLE HOLDER		

San Giorgio Plasma Parts srls is not affiliated with the named manufacturers. Reference to machines, parts, descriptions, and model numbers are for convenience in verifying compatibility only. All parts are made by or for San Giorgio Plasma Parts srls and are not made by the reference manufactures (unless expressly indicated). All other trademarks are the properties of their respective owners."