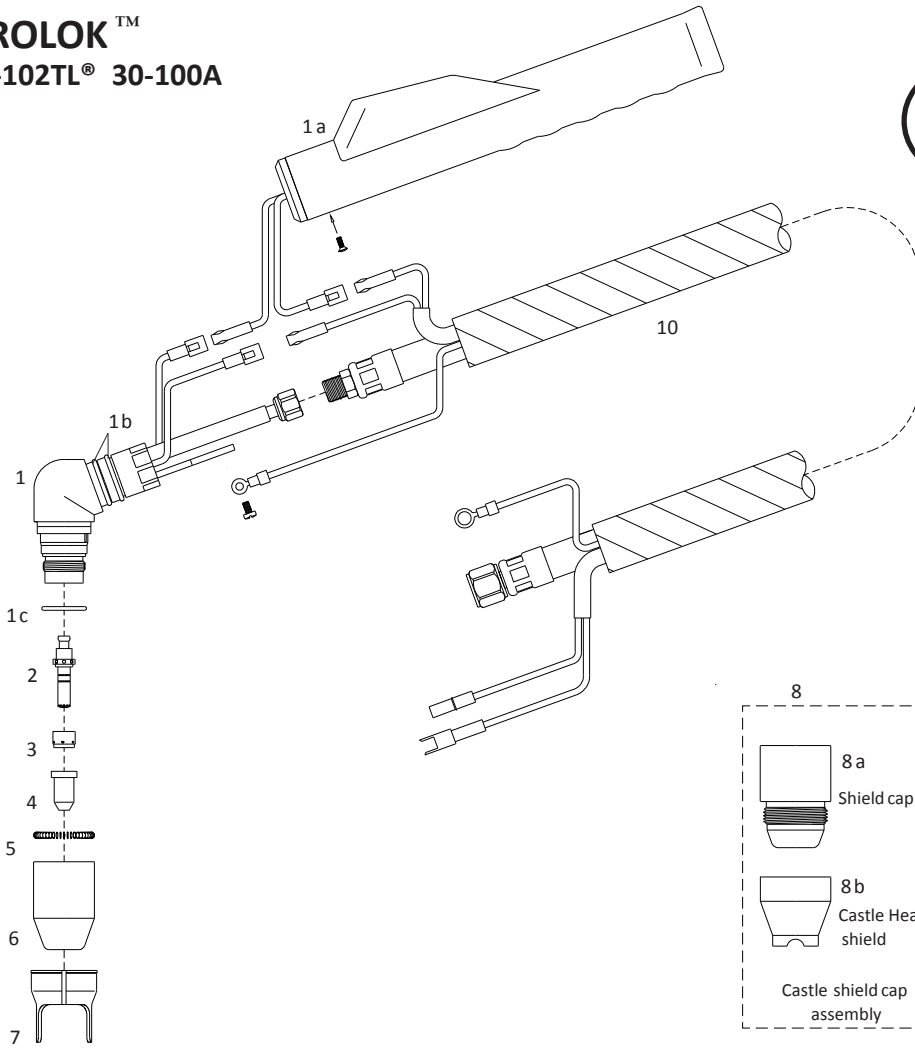


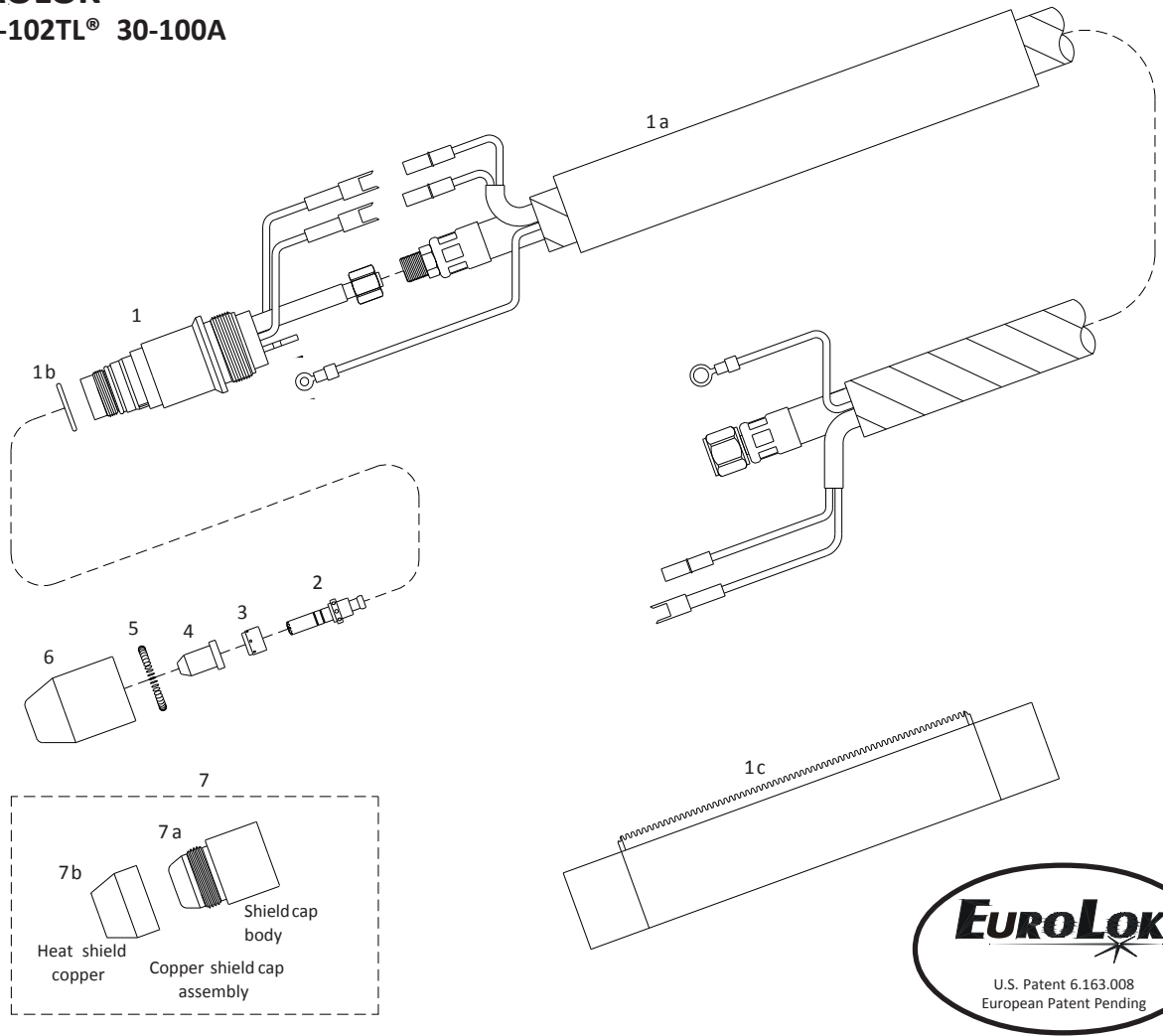
EUROLOK™
PCH-102TL® 30-100A



No.	Ref.	Code	Description	No.	Ref.	Code	Description
1	9-8405EL	07902	Hand torch head	4	8-7506	51299	Tip gouging, Air/N2 ø 1.86 - 0.073
1a		07106E	Handle with microswitch	5	9-7501E	60442	Coil spring
1b	8-0533	07100.53	O-Ring	6	8-7500E	60440	Shield cap (including item #5)
1c	8-0532	07300.60	O-Ring	7	8-7575	60444	Double pointed spacer
2	9-8402EL	52527	Electrode Air/N2	8	8-7507E	60445	Castle shield cap assembly (including item #5, 8a, 8b)
3	8-7501EL	60055/EL	Gas Distributor cutting	8a	8-7498E	60441	Shield cap body (including item #5)
	8-7508EL	60056/EL	Gas Distributor gouging	8b	8-7499	60443	Castle Heat shield (copper)
4	9-8406	51298.15	Tip 100A cutting, Air/N2 ø 1.50 - 0.059	8c	8-7497	60447	Heat shield (copper)
	9-7728	51298.14	Tip 80A cutting, Air/N2 ø 1.39 - 0.055	9	8-7496E	60446	Copper shield cap assembly (including item # 5, 8a, 8c)
	8-7505	51298	Tip 70A cutting, Air/N2 ø 1.32 - 0.052			07062TL	Hand torch, 6m - 20'
	9-7726	51297.13	Tip 60A cutting, Air/N2 ø 1.24 - 0.049			07072TL	Hand torch, 12m - 40'
	8-7504	51297	Tip 50A cutting, Air/N2 ø 1.17 - 0.046	10		07064TL	Lead assembly, 6m - 20'
	8-7503	51296	Tip 30/40A cutting, Air/N2 ø 0.99 - 0.039			07074TL	Lead assembly, 12m - 40'

Replacement parts suitable for:

EUROLOK™
PCM-102TL® 30-100A



No.	Ref.	Code	Description	No.	Ref.	Code	Description
1	9-8403EL	07903	Machine torch head	8-7506	51299		Tip gouging, Air/N2 ø 1.86 - 0.073
1a	8-0532	07300.60	O-Ring	5	9-7501E	60442	Coil spring
1b		07215	Fiberglass positioning tube	6	8-7500E	60440	Shield cap (including item#5)
1c	9-7835	07216	Fiberglass positioning tube w/RACK	7	8-7496E	60446	Copper shield cap assembly (including item# 5, 7a, 7b)
2	9-8402EL	52527	Electrode Air/N2	7a	8-7498E	60441	Shield cap body (including item#5)
3	8-7501EL	60055/EL	Gas Distributor cutting	7b	8-7497	60447	Heat shield (copper)
		8-7508EL	60056/EL			07082TL	Machine torch, 6m - 20'
4	9-8406	51298.15	Tip 100A cutting, Air/N2 ø 1.50 - 0.059			07092TL	Machine torch, 12m - 40'
	9-7728	51298.14	Tip 80A cutting, Air/N2 ø 1.39 - 0.055			07084TL	Lead assembly, 6m - 20'
	8-7505	51298	Tip 70A cutting, Air/N2 ø 1.32 - 0.052			07094TL	Lead assembly, 12m - 40'
	9-7726	51297.13	Tip 60A cutting, Air/N2 ø 1.24 - 0.049				
	8-7504	51297	Tip 50A cutting, Air/N2 ø 1.17 - 0.046				
	8-7503	51296	Tip 30/40A cutting, Air/N2 ø 0.99 - 0.039				