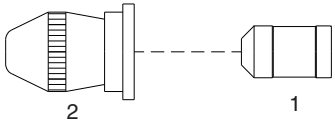




Replacement parts suitable for:

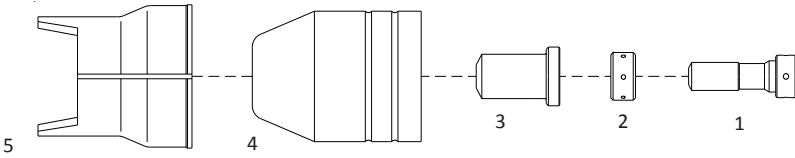
**ESAB® L-TEC® PT-20®**



**while stocks last**

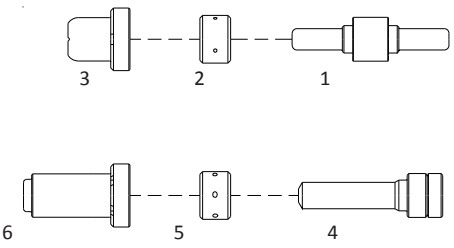
No.	Ref.	Code	Description	No.	Ref.	Code	Description
1	21150	52884	Electrode	2	21329	51346	Tip $\phi$ 1.3 - .051 70A
2	21330	51345	Tip $\phi$ 1.0 - .039 50A		21328	51347	Tip $\phi$ 1.5 - .059 100A

**ESAB® L-TEC® PT-23/27®**



No.	Ref.	Code	Description	No.	Ref.	Code	Description
1	33366	52882	Electrode	3	33418	51342/TD	Tip $\phi$ 1.32 - .052 80A
2	33367	80005	Swirl Baffle	4	21616	60460	Shield cap (PT 27)
3	33368	51340/TD	Tip $\phi$ 0.93 - .037 30A	5	21420	60461	Double pointed spacer
	33369	51341/TD	Tip $\phi$ 1.16 - .046 50A				

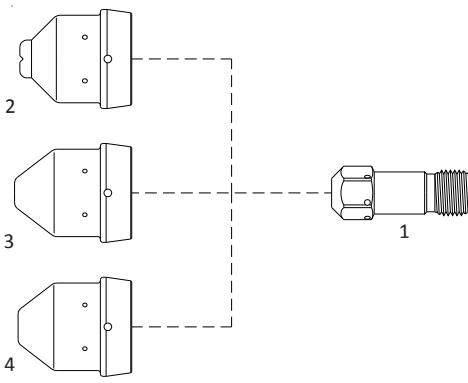
**ESAB® L-TEC® PT-31® PT-31XL®**



No.	Ref.	Code	Description	No.	Ref.	Code	Description
1	18205	52057	Electrode	6	20860	51335/TD	Tip $\phi$ 0.96 - .038 30A
2	18785	80002	Swirl Baffle 4 holes		21008	51336/TD	Tip $\phi$ 1.07 - .042 40A
3	18866	51165	Tip - 4 stakes - $\phi$ 1.0 - .039 30A		20861	51337/TD	Tip $\phi$ 1.17 - .046 50A
4	20862	52881	Electrode				
5	20463	80003	Swirl Baffle 6 holes				

**ESAB® L-TEC® PT-32®**

**ON REQUEST**



No.	Ref.	Code	Description	No.	Ref.	Code	Description
1	0558001969	52562	Electrode	3	0558002618	51536	Tip 50-70A
2	0558002908	51535	Tip (drag) 40A	4	0558002837	51537	Tip 90A