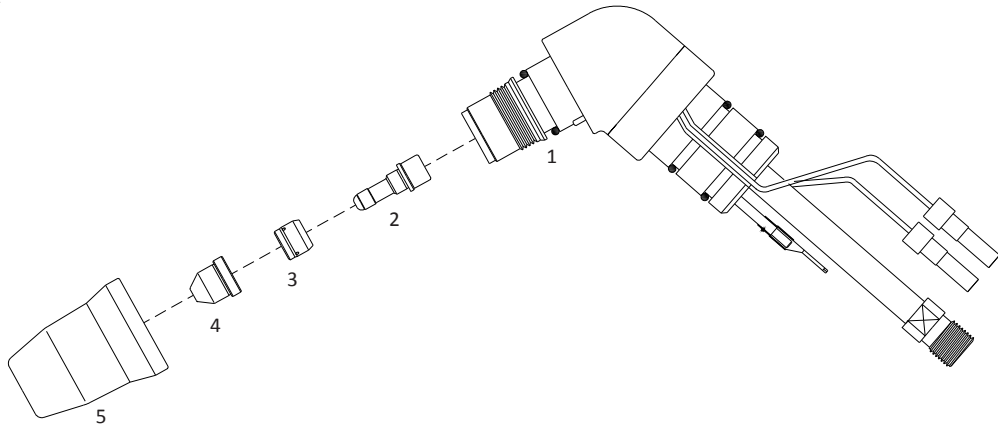


Replacement parts suitable for:

CEBORA®
CP-40®

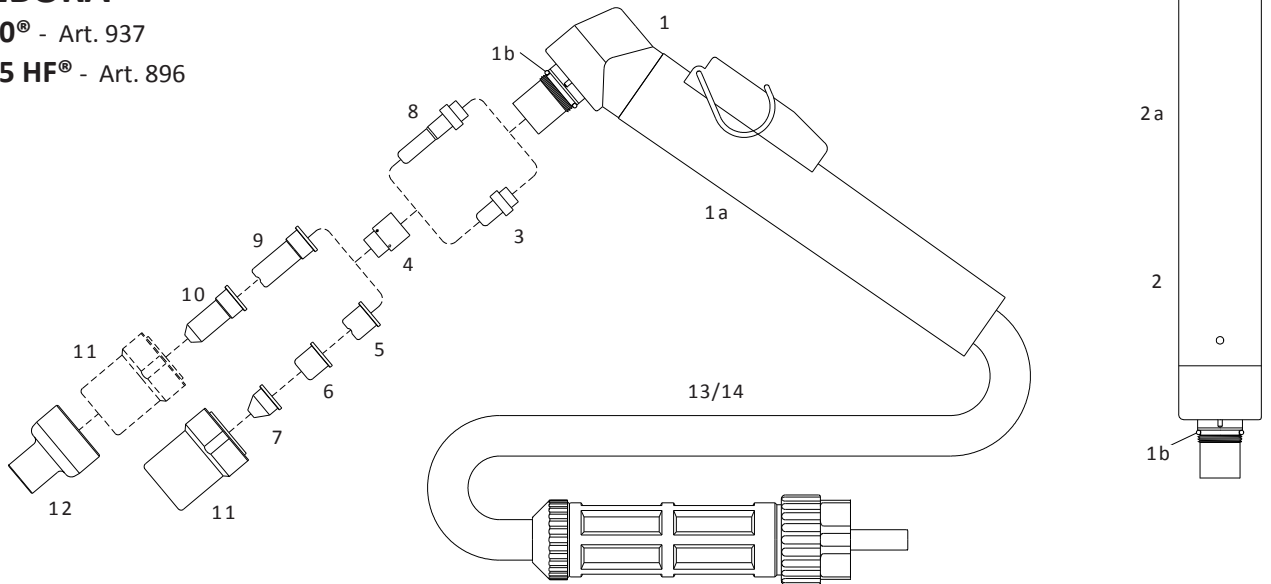


No.	Ref.	Code	Description	No.	Ref.	Code	Description
1	1359	01040	Hand torch head	4	1290	51086	Tip \varnothing 0.7
2	1516	52545	Electrode	5	1906	60323	Retaining cap
3	1507	60007	Swirl ring				

CEBORA®

P50® - Art. 937

P35 HF® - Art. 896



No.	Ref.	Code	Description	No.	Ref.	Code	Description
1526	03050/C		Hand torch, 6m, 1/8" connection	5	1396	51095	Tip Long Life \varnothing 1.0
1574	03051/C		Hand torch, 6m, central connector			51100/S	Tip Long Life \varnothing 1.1
	03150/C		Hand torch, 12m, 1/8" connection	6		51099	Flat tip \varnothing 1.0
	03151/C		Hand torch, 12m, central connector	7	1305	51098	Conical tip \varnothing 1.0 Low Amp.
	03400		Machine torch, 6m, 1/8" connection	8	1518	52513/L	Extended electrode
	03401		Machine torch, 6m, central connector	9	1370	51102	Extended tip \varnothing 1.0
	03500		Machine torch, 12m, 1/8" connection		1395	51095/L	Extended tip Long Life \varnothing 1.0
	03501		Machine torch, 12m, central connector			51102/S	Extended tip Long Life \varnothing 1.1
1	1352	01000	Hand torch head	10	1306	51101	Extended conical tip \varnothing 1.0
1a	1356	03280/C	Handgrip with microswitch				Low Amperage
1b		01000.60	O-Ring	11	5.710.121	60320	Retaining cap
2		03300	Machine torch head	12		51965	Shield cap, hand, extended tips
2a		03310	Machine handle	13	1344	03240	Cable, 6m, 1/8", Hand torch
3	1521	52512/L	Electrode			03250	Cable, 12m, 1/8", Hand torch
4		60001	Swirl ring	14		03320	Cable, 6m, 1/8", Machine torch
5	1304	51100	Tip \varnothing 1.0			03330	Cable, 12m, 1/8", Machine torch

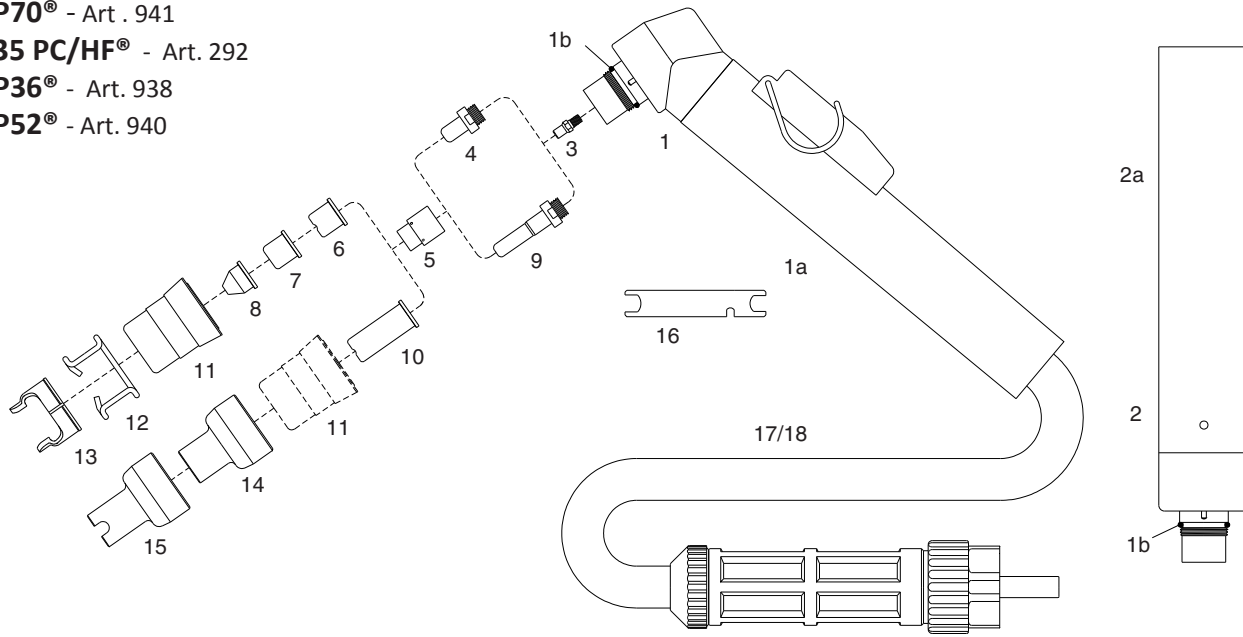
CEBORA®

P70® - Art . 941

35 PC/HF® - Art. 292

P36® - Art. 938

P52® - Art. 940



No.	Ref.	Code	Description	No.	Ref.	Code	Description
1564		03070/CS	Hand torch, 6m, 1/8" connection	7		51099.12	Flat tip \varnothing 1.2
1573		03071/CS	Hand torch, 6m, central connector	8	1305	51098	Conical tip \varnothing 1.0 Low Amp.
1573.20		03171/CS	Hand torch, 12m, central connector	8		51098.12	Conical tip \varnothing 1.2
1563		03470/S	Machine torch, 6m, 1/8" connection	9	1368	52553	Extended electrode
1566		03471/S	Machine torch, 6m, central connector	10	1366	51102.09	Extended tip \varnothing 0.9 35A
1566.20		03571/S	Machine torch, 12m, central connector		1395	51095/L	Extended tip Long Life \varnothing 1.0 50A
1	1351	01070	Hand torch head			51102/S	Extended tip Long Life \varnothing 1.1 60A
1a	1356	03280/C	Handgrip with microswitch			51096/L	Extended tip Long Life \varnothing 1.2 70A
1b	3.160.067	01000.60	O-Ring	11	5.710.171	60321	Retaining cap
2	1349	03370	Machine torch head	12	1394	51901	Spacer spring
2a	3.055.623	03310	Machine handle	13	1405	60363	Double pointed spacer
3	3.065.204	01070.42	Diffusor	14		51970	Shield cap hand 51102.09 & 51095/L
4	1402	52551	Electrode	15		51971	Spacer, contact cutting, 51102/S & 51096/L
5		60001	Swirl ring				
6	1309	51100.09	Tip \varnothing 0.9 35A	16	3.045.012	60368	Wrench for electrode
	1396	51095	Tip Long Life \varnothing 1.0 50A	17	1344	03240/S	Cable, 6m, 1/8", Hand torch
		51100/S	Tip Long Life \varnothing 1.1 60A			03250/S	Cable, 12m, 1/8", Hand torch
		51096	Tip Long Life \varnothing 1.2 70A	18		03320/S	Cable, 6m, 1/8", Machine torch
1308		51100.12	Tip \varnothing 1.2 70A			03330/S	Cable, 12m, 1/8", Machine torch
7		51099	Flat tip \varnothing 1.0				

Notes

Replacement parts suitable for:

CEBORA®

CP-90® - CP-91®

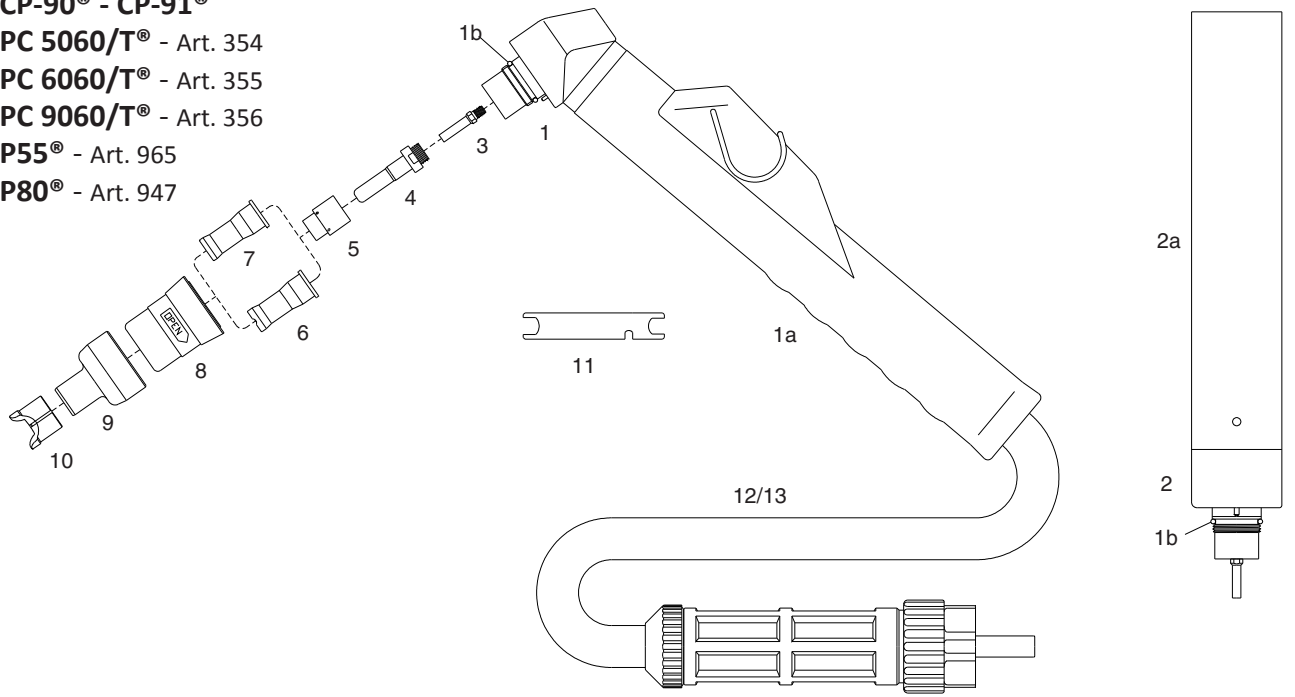
PC 5060/T® - Art. 354

PC 6060/T® - Art. 355

PC 9060/T® - Art. 356

P55® - Art. 965

P80® - Art. 947

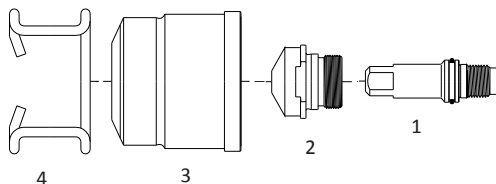


No.	Ref.	Code	Description	No.	Ref.	Code	Description
1214		03091/CS	Hand torch, 6m, central connector	7		51093	Tip Long Life ϕ 1.3 - 70-90A item 8 only
1214.20		03191/CS	Hand torch, 12m, central connector	8		60322	Retaining cap for item 6/7 only
1218		03491/S	Machine torch, 6m, central connector	9		51972	Shield cap hand
1218.20		03591/S	Machine torch, 12m, central connector	10		51973	Spacer for contact cutting hand
1215		03090/CS	Hand torch, 6m, 1/8" connection				
1	1358	01090	Hand torch head	11	3.045.012	60368	Wrench for electrode
1a		04280/C	Handgrip with microswitch	12		03093/S	Cable 6m, 1/8", hand, ready for central connector
1b	3.160.067	01000.60	O-Ring			03193/S	Cable 12m, 1/8", hand, ready for central connector
2	1348	03390	Machine torch head	13		03493/S	Cable 6m, 1/8", machine, ready for central connector
2a	3.055.623	03310	Machine handle			03593/S	Cable 12m, 1/8", machine, ready for central connector
3		01090.42	Diffusor			03240/S	Cable 6m, 1/8", hand
4	1368	52553	Electrode				
5		60001	Swirl Ring				
6		51090	Tip Long Life ϕ 1.0 - 20-50A item 8 only				
7		51092	Tip Long Life ϕ 1.2 - 50-70A item 8 only				

CEBORA®

CP200®

while stocks last



No.	Ref.	Code	Description	Pkg.	No.	Ref.	Code	Description	Pkg.
1	1367	52542	Electrode 200A	5		1845	51074	Tip ϕ 1.8 110-150A	5
2	1842	51071	Tip ϕ 1.0 20-50A	5	3	1905	60327	Nozzle holder	1
	1843	51072	Tip ϕ 1.3 40-90A	5	4	1386	51910	Spacer spring	10
	1844	51073	Tip ϕ 1.6 80-120A	5					

CEBORA®

P150® - CP-160®

P90® Art. 942

P92® Art. 943

P120® Art. 945

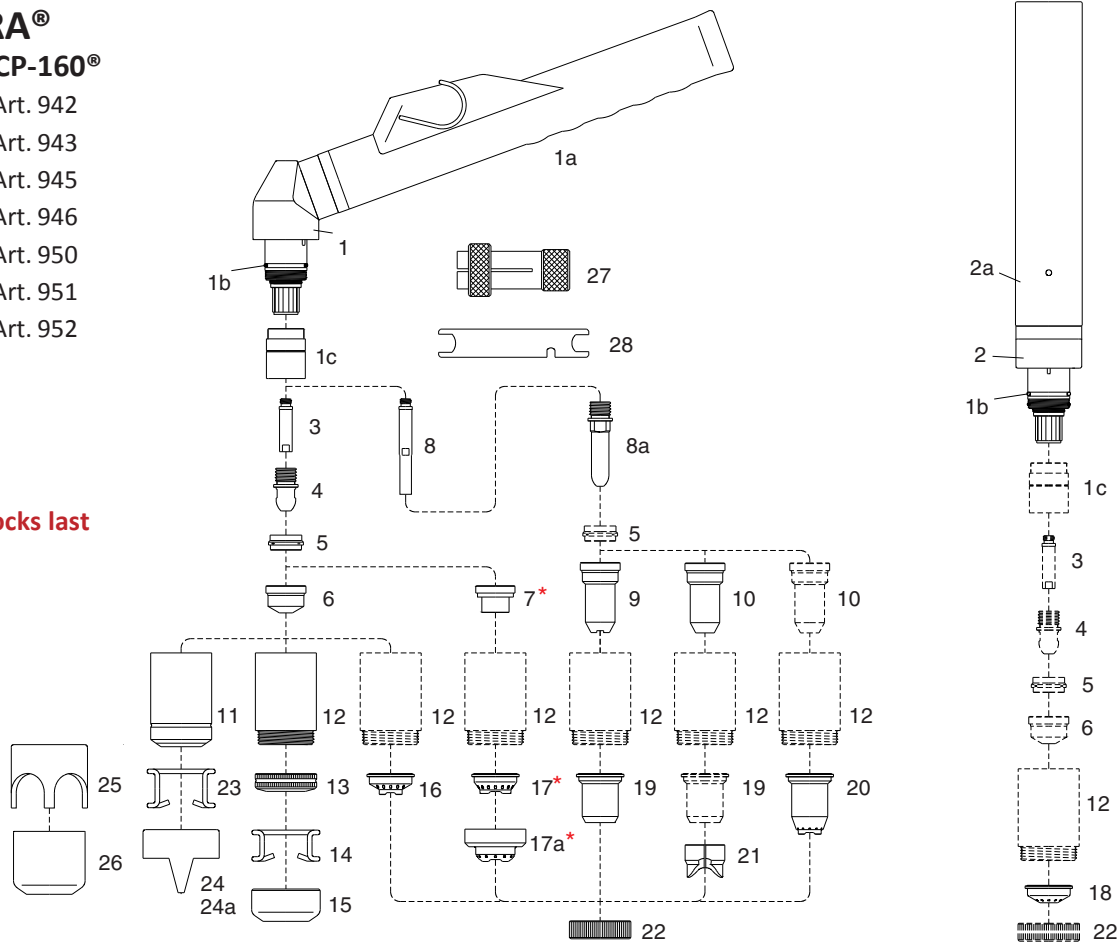
P122® Art. 946

P150® Art. 950

P152® Art. 951

P162® Art. 952

* while stocks last



No.	Ref.	Code	Description	No.	Ref.	Code	Description	
		1226	04053/CS	Hand torch, 6m, central connector	9	1369	51148	Contact extended tip max 50A
		1226.20	04153/CS	Hand torch, 12m, central connector	10		51148.13	Extended tip ø 1.35 - 90A
		1228	08679	Machine torch, 6m shielded, central conn.			51148.16	Extended tip ø 1.6 - 120A
		1228.20	08685	Machine torch, 12m shielded, central conn.			51148.18	Extended tip ø 1.8 - 150A
		1571	04050/CS	Hand torch, 6m, 1/8" connection	11	1389	60330	Retaining cap
		1576	04051/CS	Hand torch, 6m, central connector	12		60350	Contact retaining cap
		1578	04151/CS	Hand torch, 12m, central connector			60350/V	Contact retaining cap, Max Life
		1529	04400/S	Machine torch 6m, 1/8" connection	13		51952	Spring holder protection nut
		1577	04401/S	Machine torch 6m, central connector	14		51911	Spacer spring for code 51952
		1579	04501/S	Machine torch 12m, central connector	15		51953	Gouging spacer
1	1353	02000		Hand torch head	16		51950	Spacer for contact cutting hand
1a		04280/C		Handgrip with microswitch	17*		51930	Spacer for contact cutting hand
1b	1398	02000.60		O-Ring	17a*		51920	Spacer for contact cutting hand
1c		60080		Front insulator	18		51951	Shield cup machine
2	1354	04300		Machine torch head	19		51957	Shield cup hand max 50A
2a	3.055.623	03310		Machine handle	20		51958	Spacer for contact cutting hand
3	1378	05004		Diffusor	21		51974	Spacer for extended tips High Amp.
4	1376	52540		Electrode	22		51959	Locking nut
5	1377	60020		Swirl ring	23	1386	51910	Spacer spring
6		1371	51140/S	Tip Long Life ø 1.1	24	1408	60370	Double pointed spacer
		1372	51141/S	Tip Long Life ø 1.35	24a		60414	Double pointed spacer
		1373	51142/S	Tip Long Life ø 1.6	25		60371	Crown spacer
		1374	51143/S	Tip Long Life ø 1.8	26	1406	60373	Gouging spacer
		1375	51144	Gouging tip ø 3.0	27	1509	60369	Extractor for swirl ring
7*		51410		Contact tip ø 1.35	28	3.045.010	60368	Wrench for electrode
		51411		Contact tip ø 1.6			04240/S	Cable, 6m, 1/8", Hand torch
		51412		Contact tip ø 1.8			04250/S	Cable, 12m, 1/8", Hand torch
8		05005		Extended diffusor			04320/S	Cable, 6m, 1/8", Machine torch
8a	1517	52549		Extended electrode			04330/S	Cable, 12m, 1/8", Machine torch