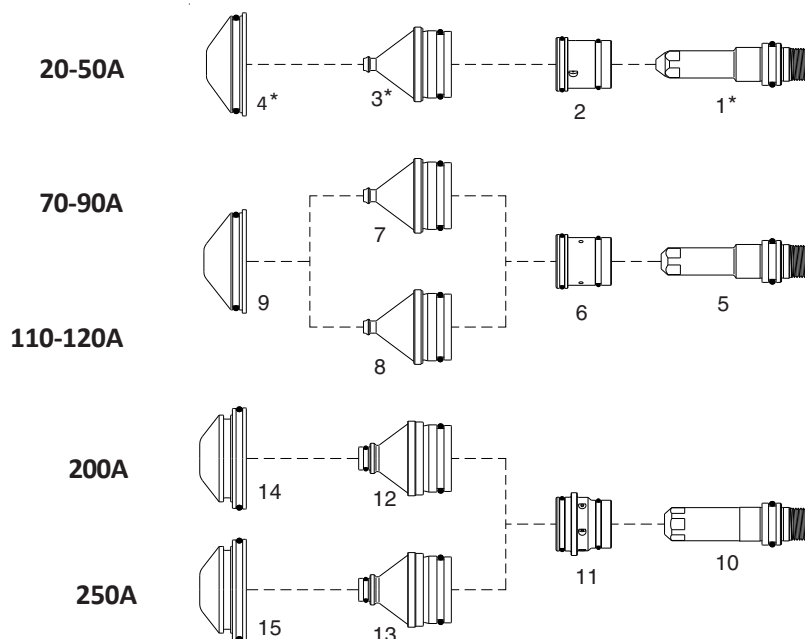
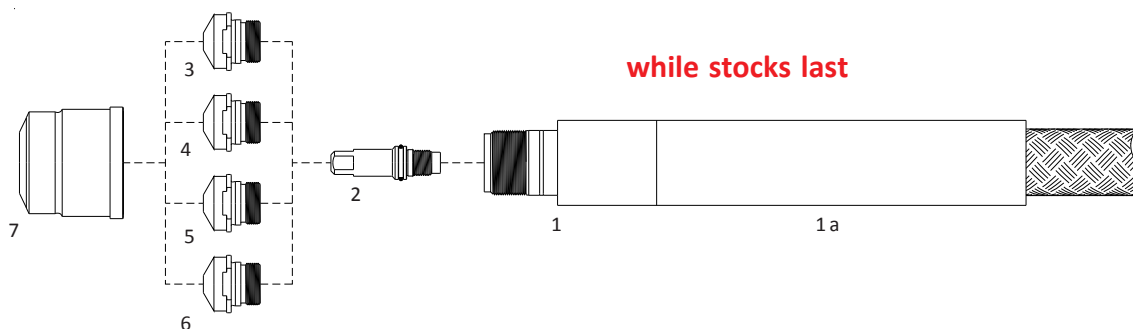


Replacement parts suitable for:

CEBORA®
CP 251G®


* High Performance parts are not interchangeable with the original parts

No.	Ref.	Code	Description	Pkg.	No.	Ref.	Code	Description	Pkg.
1	1872td	52547TD	Electrode 20/50A High Performance	10	9	1990	60720	Shield 70/120A	5
2	1968	60015	Swirl ring 20/50A	2	10	1874	52548	Electrode 200/250A	10
3	1852td	51060TD	Tip \varnothing 0.8 20/50A High Performance	5	11	1969	60016	Swirl ring 200/250A	2
4	1990td	60720TD	Shield 20/50A High Performance	5	12	1798	51063	Tip \varnothing 1.6 200A	5
5	1870	52546	Electrode 70/120A	10	13	1799	51064	Tip \varnothing 1.9 250A	5
6	1967	60014	Swirl ring 70/120A	2	14	1991	60721	Shield 200A	5
7	1853	51061	Tip \varnothing 1.1 70/90A	5	15	1993	60723	Shield 250A	5
8	1854	51062	Tip \varnothing 1.3 110/120A	5					

CEBORA®
CP 200®


while stocks last

No.	Ref.	Code	Description	Pkg.	No.	Ref.	Code	Description	Pkg.
1	1357	01810	Machine torch head	1	7	1905	60327	Nozzle holder	1
1a		01815	Machine handle	1		1235	01831/SH	Machine torch	
2	1367	52542	Electrode 200A	5				4m shielded, central conn. 7 pins	1
3	1842	51071	Tip \varnothing 1.0 20-50A	5		1234	01832/SH	Machine torch	
4	1843	51072	Tip \varnothing 1.3 40-90A	5				6m shielded, central conn. 7 pins	1
5	1844	51073	Tip \varnothing 1.6 80-120A	5		1234.10	01836/SH	Machine torch	
6	1845	51074	Tip \varnothing 1.8 110-150A	5				9m shielded, central conn. 7 pins	1