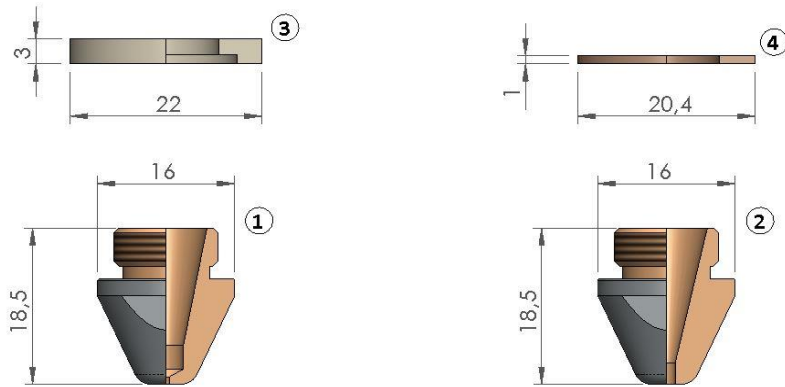


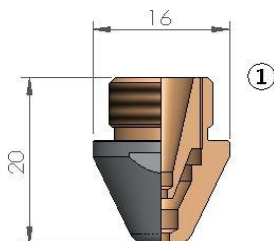
Replacement parts suitable for AMADA®



POS	LS. CODE	ORIGINAL CODE	DESCRIPTION	unit price	10 pack price
1	105001CW		AMADA® NOZZLE Ø 0.8 CP		
	105002CW	1664545U	AMADA® NOZZLE Ø 1.0 CP		
	105003CW	1664545U	AMADA® NOZZLE Ø 1.25 CP		
	105004CW	1664545U	AMADA® NOZZLE Ø 1.5 CP		
	105005CW	1664545U	AMADA® NOZZLE Ø 1.75 CP		
2	105006CW	1664644U-71341610	AMADA® NOZZLE Ø 2.0 CP		
	105007CW	1664545U	AMADA® NOZZLE Ø 2.5 CP		
	105008CW	1664645U-71360142	AMADA® NOZZLE Ø 3.0 CP		
	105009CW		AMADA® NOZZLE Ø 4.0 CP		
3	109020		AMADA® DISC HEAD PROTECTION CERAMIC Ø 22		
4	109019	71341614	AMADA® DISC HEAD PROTECTION VESPEL Ø 21		

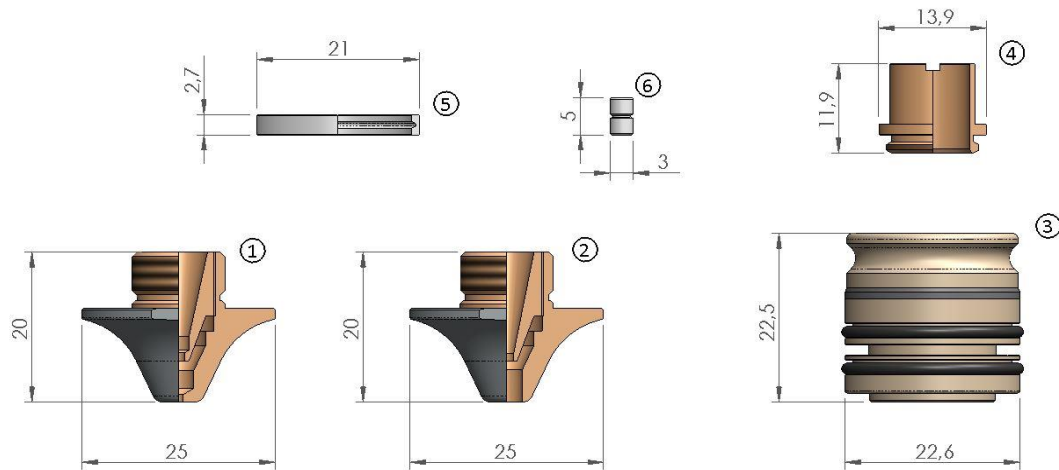
San Giorgio Plasma Parts srls is not affiliated with the named manufacturers. Reference to machines, parts, descriptions, and model numbers are for convenience in verifying compatibility only. All parts are made by or for San Giorgio Plasma Parts srls and are not made by the reference manufactures (unless expressly indicated). All other trademarks are the properties of their respective owners."

Replacement parts suitable for AMADA®



POS	LS. CODE	ORIGINAL CODE	DESCRIPTION	unit price	10 pack price
1	105015CW	1669864/7134162	AMADA® DOUBLE NOZZLE Ø D1.0 CP		
	105016CW	1669864/7134162	AMADA® DOUBLE NOZZLE Ø D1.2 CP		
	105017CW	1669864/7134162	AMADA® DOUBLE NOZZLE Ø D1.4 CP		
	105018CW	1669864/7134162	AMADA® DOUBLE NOZZLE Ø D1.5 CP		
	105019CW	1669864/7134162	AMADA® DOUBLE NOZZLE Ø D1.8 CP		
	105020CW	1669864/7134162	AMADA® DOUBLE NOZZLE Ø D2.0 CP		
	105021CW	1669864/7134162/ 41341680/71341772	AMADA® DOUBLE NOZZLE Ø D2.5 CP		
	105022CW	1669864/7134163	AMADA® DOUBLE NOZZLE Ø D3.0 CP		
	105023CW	1669864/7134162	AMADA® DOUBLE NOZZLE Ø D3.5 CP		
	105024CW		AMADA® DOUBLE NOZZLE Ø D3.8 CP		
	105025CW	1669795/71341681	AMADA® DOUBLE NOZZLE Ø D4.0 CP		

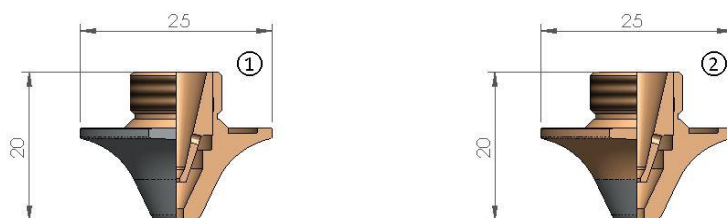
Replacement parts suitable for AMADA®



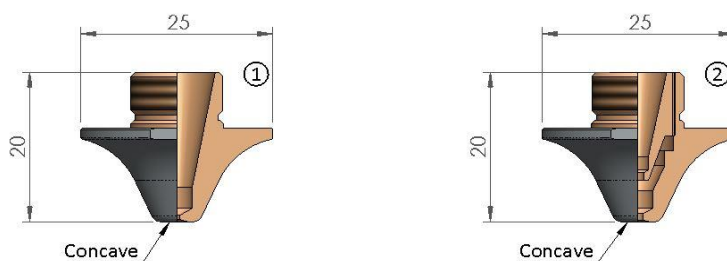
POS	LS. CODE	ORIGINAL CODE	DESCRIPTION	unit price	10 pack price
1	101020C		AMADA® DOUBLE NOZZLE Ø D1.2E CP ECO CUT		
	101020CW		AMADA® DOUBLE NOZZLE Ø D1.2E CP ECO CUT		
	101021C	71518550-71461029-71502038	AMADA® DOUBLE NOZZLE Ø D1.4E CP ECO CUT		
	101021CW	71518550-71461029-71502038	AMADA® DOUBLE NOZZLE Ø D1.4E CP ECO CUT		
	101022C		AMADA® DOUBLE NOZZLE Ø D1.7E CP ECO CUT		
	101022CW		AMADA® DOUBLE NOZZLE Ø D1.7E CP ECO CUT		
	101023C		AMADA® DOUBLE NOZZLE Ø D2.0E CP ECO CUT		
	101023CW		AMADA® DOUBLE NOZZLE Ø D2.0E CP ECO CUT		
	101024C	71516789-71501059	AMADA® DOUBLE NOZZLE Ø D2.5E CP ECO CUT		
	101024CW	71516789-71501059	AMADA® DOUBLE NOZZLE Ø D2.5E CP ECO CUT		
	101025C		AMADA® DOUBLE NOZZLE Ø D3.0E CP ECO CUT		
	101025CW		AMADA® DOUBLE NOZZLE Ø D3.0E CP ECO CUT		
	101026C	71516790-71501060	AMADA® DOUBLE NOZZLE Ø D4.0E CP ECO CUT		
	101026CW	71516790-71501060	AMADA® DOUBLE NOZZLE Ø D4.0E CP ECO CUT		
2	104003C	71501093	AMADA® DOUBLE NOZZLE Ø D4.0 AL CP		
3	109001	71712350	AMADA® NOZZLE HOLDER PLUG-IN with INNER		
	109002	71712350	AMADA® NOZZLE HOLDER PLUG-IN		
4	109010	71716438-71798350	AMADA® INNER FOR PLUG-IN		
5	109006	71712340	AMADA® PTFE COLLAR WITH GROOVE		
6	109007	71712344	AMADA® LOCATING PIN		

San Giorgio Plasma Parts srls is not affiliated with the named manufacturers. Reference to machines, parts, descriptions, and model numbers are for convenience in verifying compatibility only. All parts are made by or for San Giorgio Plasma Parts srls and are not made by the reference manufactures (unless expressly indicated). All other trademarks are the properties of their respective owners."

Replacement parts suitable for AMADA®



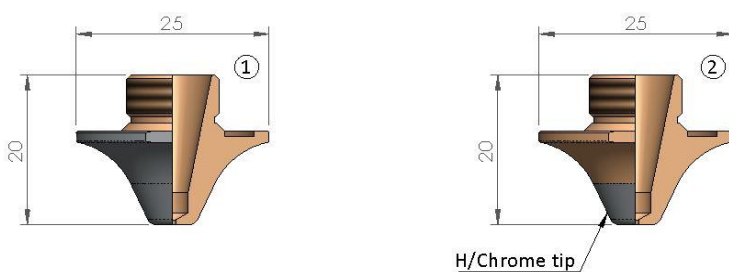
POS	LS. CODE	ORIGINAL CODE	DESCRIPTION	unit price	10 pack price
1	104007C		AMADA® DOUBLE NOZZLE Ø D1.5F CP		
	104008C	71570022	AMADA® DOUBLE NOZZLE Ø D2.0F CP		
	104009C		AMADA® DOUBLE NOZZLE Ø D2.5F CP		
	104011C		AMADA® DOUBLE NOZZLE Ø D4.0F CP		
2	104007CK		AMADA® DOUBLE NOZZLE Ø D1.5F CP		
	104008CK		AMADA® DOUBLE NOZZLE Ø D2.0F CP		
	104009CK		AMADA® DOUBLE NOZZLE Ø D2.5F CP		
	104011CK		AMADA® DOUBLE NOZZLE Ø D4.0F CP		



POS	LS. CODE	ORIGINAL CODE	DESCRIPTION	unit price	10 pack price
1	101030C		AMADA® NOZZLE Ø S0.8 CP W/CONCAVE		
	101030CW		AMADA® NOZZLE Ø S0.8 CP W/CONCAVE		
	101031C		AMADA® NOZZLE Ø S1.0 CP W/CONCAVE		
	101031CW		AMADA® NOZZLE Ø S1.0 CP W/CONCAVE		
	101032C		AMADA® NOZZLE Ø S1.2 CP W/CONCAVE		
	101032CW		AMADA® NOZZLE Ø S1.2 CP W/CONCAVE		
2	101037C		AMADA® DOUBLE NOZZLE Ø D1.4 CP W/CONCAVE		
	101037CW		AMADA® DOUBLE NOZZLE Ø D1.4 CP W/CONCAVE		

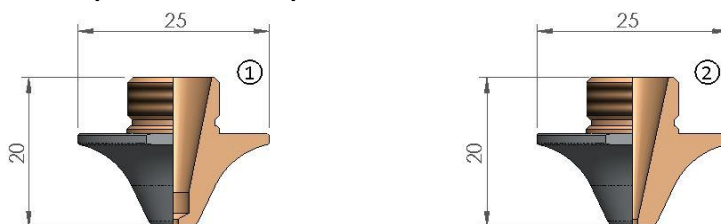
San Giorgio Plasma Parts srls is not affiliated with the named manufacturers. Reference to machines, parts, descriptions, and model numbers are for convenience in verifying compatibility only. All parts are made by or for San Giorgio Plasma Parts srls and are not made by the reference manufactures (unless expressly indicated). All other trademarks are the properties of their respective owners."

Replacement parts suitable for AMADA®



POS	LS. CODE	ORIGINAL CODE	DESCRIPTION	unit price	10 pack price
1	104015C		AMADA® NOZZLE Ø S0.8 FE CP		
	104016C	71570021, S1.0FE	AMADA® NOZZLE Ø S1.0 FE CP		
	104017C	71570020, S1.2FE	AMADA® NOZZLE Ø S1.2 FE CP		
	104018C		AMADA® NOZZLE Ø S1.4 FE CP		
2	104015CK		AMADA® NOZZLE Ø S0.8 FE CP		
	104016CK	71570021, S1.0FE	AMADA® NOZZLE Ø S1.0 FE CP		
	104017CK	71570020, S1.2FE	AMADA® NOZZLE Ø S1.2 FE CP		
	104018CK		AMADA® NOZZLE Ø S1.4 FE CP		

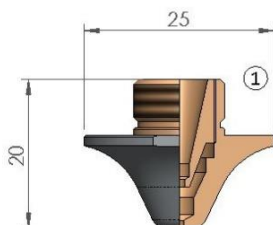
Replacement parts suitable for AMADA®



POS	LS. CODE	ORIGINAL CODE	DESCRIPTION	unit price	10 pack price
1	101002C		AMADA® NOZZLE Ø S0.8E CP ECO CUT		
	101002CW		AMADA® NOZZLE Ø S0.8E CP ECO CUT		
	101003C	71566685	AMADA® NOZZLE Ø S1.0E CP ECO CUT		
	101003CW	71566685	AMADA® NOZZLE Ø S1.0E CP ECO CUT		
	101004C	71502037-71461028-71566686-71369812	AMADA® NOZZLE Ø S1.2E CP ECO CUT		
	101004CW	71502037-71461028-71566686-71369812	AMADA® NOZZLE Ø S1.2E CP ECO CUT		
	101007C		AMADA® NOZZLE Ø S1.5E CP ECO CUT		
	101007CW		AMADA® NOZZLE Ø S1.5E CP ECO CUT		
	101010C		AMADA® NOZZLE Ø S2.0E CP ECO CUT		
	101010CW		AMADA® NOZZLE Ø S2.0E CP ECO CUT		
	101013C		AMADA® NOZZLE Ø S2.5E CP ECO CUT		
	101013CW		AMADA® NOZZLE Ø S2.5E CP ECO CUT		
	101015C		AMADA® NOZZLE Ø S3.0E CP ECO CUT		
	101015CW		AMADA® NOZZLE Ø S3.0E CP ECO CUT		
2	101005C		AMADA® NOZZLE Ø S1.4 CP ECO CUT		
	101005CW		AMADA® NOZZLE Ø S1.4 CP ECO CUT		
	101006C	71501056 - 71712720	AMADA® NOZZLE Ø S1.5 CP ECO CUT		
	101006CW	71501056 - 71712720	AMADA® NOZZLE Ø S1.5 CP ECO CUT		
	101008C		AMADA® NOZZLE Ø S1.7 CP ECO CUT		
	101008CW		AMADA® NOZZLE Ø S1.7 CP ECO CUT		
	101009C	71501057-71555124	AMADA® NOZZLE Ø S2.0 CP ECO CUT		
	101009CW	71501057-71555124	AMADA® NOZZLE Ø S2.0 CP ECO CUT		
	101011C		AMADA® NOZZLE Ø S2.3 CP ECO CUT		
	101011CW		AMADA® NOZZLE Ø S2.3 CP ECO CUT		
	101012C		AMADA® NOZZLE Ø S2.5 CP ECO CUT		
	101012CW		AMADA® NOZZLE Ø S2.5 CP ECO CUT		
	101014C	71516788-71501058	AMADA® NOZZLE Ø S3.0 CP ECO CUT		
	101014CW	71516788-71501058	AMADA® NOZZLE Ø S3.0 CP ECO CUT		
101016C		AMADA® NOZZLE Ø S4.0 CP ECO CUT			
101016CW		AMADA® NOZZLE Ø S4.0 CP ECO CUT			

San Giorgio Plasma Parts srls is not affiliated with the named manufacturers. Reference to machines, parts, descriptions, and model numbers are for convenience in verifying compatibility only. All parts are made by or for San Giorgio Plasma Parts srls and are not made by the reference manufactures (unless expressly indicated). All other trademarks are the properties of their respective owners."

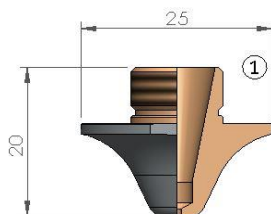
Replacement parts suitable for AMADA®



POS	LS. CODE	ORIGINAL CODE	DESCRIPTION	unit price	10 pack price
1	101040C	1572361	AMADA® DOUBLE NOZZLE Ø D1.2 CP		
	101040CW	1572361	AMADA® DOUBLE NOZZLE Ø D1.2 CP		
	101041C	71369813, 71502038, 71341779, 71518550	AMADA® DOUBLE NOZZLE Ø D1.4 CP		
	101041CW	71369813, 71502038, 71341779, 71518550	AMADA® DOUBLE NOZZLE Ø D1.4 CP		
	101042C	1572361, 71518548, 1572380	AMADA® DOUBLE NOZZLE Ø D1.7 CP		
	101042CW	1572361, 71518548, 1572380	AMADA® DOUBLE NOZZLE Ø D1.7 CP		
	101043C	1572361	AMADA® DOUBLE NOZZLE Ø D2.0 CP		
	101043CW	1572361	AMADA® DOUBLE NOZZLE Ø D2.0 CP		
	101044C	71501059, 71515394, 71516789, 1576398	AMADA® DOUBLE NOZZLE Ø D2.5 CP		
	101044CW	71501059, 71515394, 71516789, 1576398	AMADA® DOUBLE NOZZLE Ø D2.5 CP		
	101045C	1572361	AMADA® DOUBLE NOZZLE Ø D3.0 CP		
	101045CW	1572361	AMADA® DOUBLE NOZZLE Ø D3.0 CP		
	101046C	71501060, 71515395, 1576399	AMADA® DOUBLE NOZZLE Ø D4.0 CP		
	101046CW	71501060, 71515395, 1576399	AMADA® DOUBLE NOZZLE Ø D4.0 CP		
	101047C		AMADA® DOUBLE NOZZLE Ø D4.0 CP INNER D2.0		
	101047CW		AMADA® DOUBLE NOZZLE Ø D4.0 CP INNER D2.0		
	101048C	1572361	AMADA® DOUBLE NOZZLE Ø D5.0 CP		
	101048CW	1572361	AMADA® DOUBLE NOZZLE Ø D5.0 CP		
	101049C		AMADA® DOUBLE NOZZLE Ø D6.0 CP		
	101049CW		AMADA® DOUBLE NOZZLE Ø D6.0 CP		

San Giorgio Plasma Parts srls is not affiliated with the named manufacturers. Reference to machines, parts, descriptions, and model numbers are for convenience in verifying compatibility only. All parts are made by or for San Giorgio Plasma Parts srls and are not made by the reference manufactures (unless expressly indicated). All other trademarks are the properties of their respective owners."

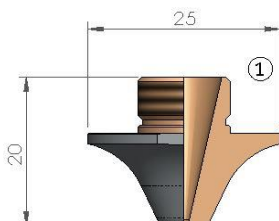
Replacement parts suitable for AMADA®



POS	LS. CODE	ORIGINAL CODE	DESCRIPTION	unit price	10 pack price
1	101050C	1572362, 71563584	AMADA® NOZZLE Ø 0.8 CP		
	101050CW	1572362, 71563584	AMADA® NOZZLE Ø 0.8 CP		
	101051C	1572367A, 71563585	AMADA® NOZZLE Ø 1.0 CP		
	101051CW	1572367A, 71563585	AMADA® NOZZLE Ø 1.0 CP		
	101052C	71369812, 71461028, 71341778	AMADA® NOZZLE Ø 1.2 CP		
	101052CW	71369812, 71461028, 71341778	AMADA® NOZZLE Ø 1.2 CP		
	101053C	1572362	AMADA® NOZZLE Ø 1.4 CP		
	101053CW	1572362	AMADA® NOZZLE Ø 1.4 CP		
	101054C	1572362, 1572368B	AMADA® NOZZLE Ø 1.5 CP		
	101054CW	1572362, 1572368B	AMADA® NOZZLE Ø 1.5 CP		
	101055C	1572362	AMADA® NOZZLE Ø 1.7 CP		
	101055CW	1572362	AMADA® NOZZLE Ø 1.7 CP		
	101056C	71515392, 71369815	AMADA® NOZZLE Ø 2.0 CP		
	101056CW	71515392, 71369815	AMADA® NOZZLE Ø 2.0 CP		
	101057C		AMADA® NOZZLE Ø 2.5 CP		
	101057CW		AMADA® NOZZLE Ø 2.5 CP		
	101058C	71515393, 1576112	AMADA® NOZZLE Ø 3.0 CP		
	101058CW	71515393, 1576112	AMADA® NOZZLE Ø 3.0 CP		
	101059C	1572362	AMADA® NOZZLE Ø 4.0 CP		
	101059CW	1572362	AMADA® NOZZLE Ø 4.0 CP		

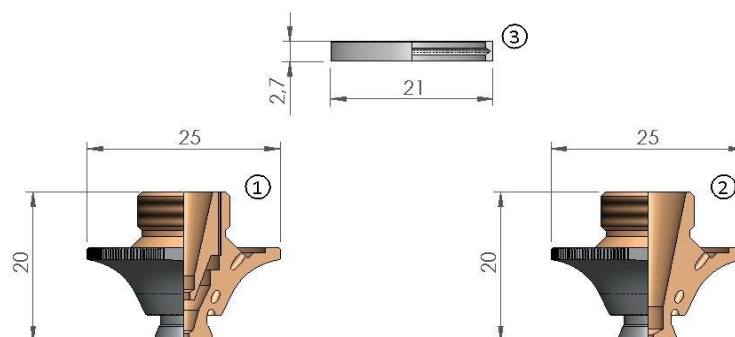
San Giorgio Plasma Parts srls is not affiliated with the named manufacturers. Reference to machines, parts, descriptions, and model numbers are for convenience in verifying compatibility only. All parts are made by or for San Giorgio Plasma Parts srls and are not made by the reference manufactures (unless expressly indicated). All other trademarks are the properties of their respective owners."

Replacement parts suitable for AMADA®



POS	LS. CODE	ORIGINAL CODE	DESCRIPTION	unit price	10 pack price
1	101060C		AMADA® NOZZLE Ø 0.8 CP		
	101060CW		AMADA® NOZZLE Ø 0.8 CP		
	101061C		AMADA® NOZZLE Ø 1.0 CP		
	101061CW		AMADA® NOZZLE Ø 1.0 CP		
	101062C		AMADA® NOZZLE Ø 1.2 CP		
	101062CW		AMADA® NOZZLE Ø 1.2 CP		
	101063C		AMADA® NOZZLE Ø 1.4 CP		
	101063CW		AMADA® NOZZLE Ø 1.4 CP		
	101064C		AMADA® NOZZLE Ø 1.5 CP		
	101064CW		AMADA® NOZZLE Ø 1.5 CP		
	101065C		AMADA® NOZZLE Ø 1.7 CP		
	101065CW		AMADA® NOZZLE Ø 1.7 CP		
	101066C		AMADA® NOZZLE Ø 2.0 CP		
	101066CW		AMADA® NOZZLE Ø 2.0 CP		
	101067C		AMADA® NOZZLE Ø 2.3 CP		
	101067CW		AMADA® NOZZLE Ø 2.3 CP		
	101068C		AMADA® NOZZLE Ø 3.0 CP		
	101068CW		AMADA® NOZZLE Ø 3.0 CP		

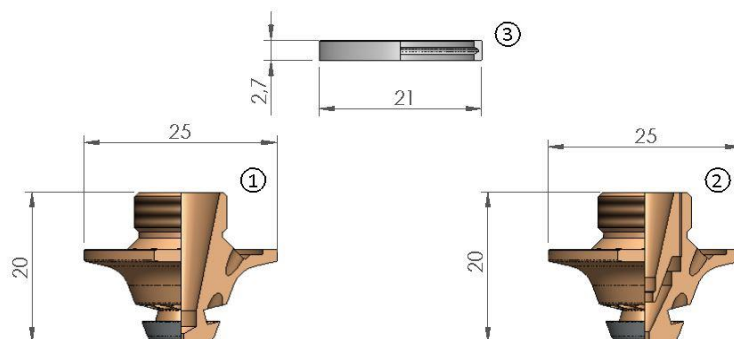
Replacement parts suitable for AMADA®



POS	LS. CODE	ORIGINAL CODE	DESCRIPTION	unit price	10 pack price
1	102003C		AMADA® DOUBLE NOZZLE Ø D1.4W CP WACS		
	102003CT		AMADA® DOUBLE NOZZLE Ø D1.4W CP WACS WITH COLLAR		
	102004C		AMADA® DOUBLE NOZZLE Ø D1.7W CP WACS		
	102004CT		AMADA® DOUBLE NOZZLE Ø D1.7W CP WACS WITH COLLAR		
	102005C		AMADA® DOUBLE NOZZLE Ø D2.0W CP WACS		
	102005CT		AMADA® DOUBLE NOZZLE Ø D2.0W CP WACS WITH COLLAR		
	102006C	71712335	AMADA® DOUBLE NOZZLE Ø D2.5W CP WACS		
	102006CT		AMADA® DOUBLE NOZZLE Ø D2.5W CP WACS WITH COLLAR		
	102007C		AMADA® DOUBLE NOZZLE Ø D3.0W CP WACS		
	102007CT		AMADA® DOUBLE NOZZLE Ø D3.0W CP WACS WITH COLLAR		
	102008C		AMADA® DOUBLE NOZZLE Ø D3.5W CP WACS		
	102008CT		AMADA® DOUBLE NOZZLE Ø D3.5W CP WACS WITH COLLAR		
	102009C	71712336 - 71461158	AMADA® DOUBLE NOZZLE Ø D4.0W CP WACS		
	102009CT		AMADA® DOUBLE NOZZLE Ø D4.0W CP WACS WITH COLLAR		
	102010C		AMADA® DOUBLE NOZZLE Ø D4.5W CP WACS		
	102010CT		AMADA® DOUBLE NOZZLE Ø D4.5W CP WACS WITH COLLAR		
	102011C		AMADA® DOUBLE NOZZLE Ø D5.0W CP WACS		
102011CT		AMADA® DOUBLE NOZZLE Ø D5.0W CP WACS WITH COLLAR			
2	102016C		AMADA® NOZZLE Ø S1.2W CP WACS		
	102016CT		AMADA® NOZZLE Ø S1.2W CP WACS WITH COLLAR		
	102017C		AMADA® NOZZLE Ø S1.4W CP WACS		
	102017CT		AMADA® NOZZLE Ø S1.4W CP WACS WITH COLLAR		
3	109006	71712340	AMADA® PTFE COLLAR WITH GROOVE		

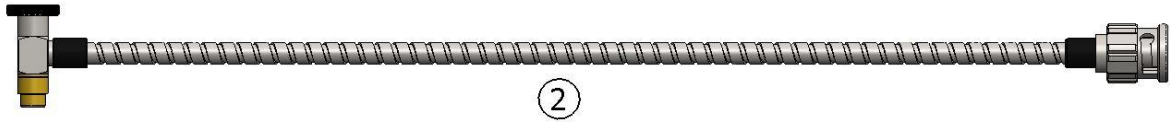
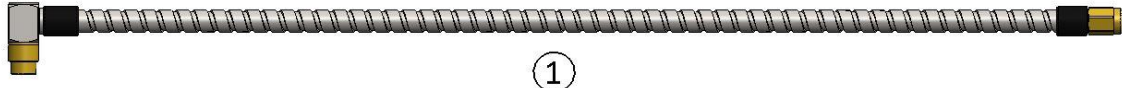
San Giorgio Plasma Parts srls is not affiliated with the named manufacturers. Reference to machines, parts, descriptions, and model numbers are for convenience in verifying compatibility only. All parts are made by or for San Giorgio Plasma Parts srls and are not made by the reference manufactures (unless expressly indicated). All other trademarks are the properties of their respective owners."

Replacement parts suitable for AMADA®



POS	LS. CODE	ORIGINAL CODE	DESCRIPTION	unit price	10 pack price
1	102021CK		AMADA® NOZZLE Ø S0.8 FE FIBER CP		
	102021CKT		AMADA® NOZZLE Ø S0.8 FE FIBER CP WITH COLLAR		
	102022CK	71570030	AMADA® NOZZLE Ø S1.0 FE FIBER CP		
	102022CKT	71570030	AMADA® NOZZLE Ø S1.0 FE FIBER CP WITH COLLAR		
	102023CK	71570023	AMADA® NOZZLE Ø S1.2 FE FIBER CP		
	102023CKT	71570023	AMADA® NOZZLE Ø S1.2 FE FIBER CP WITH COLLAR		
	102024CK		AMADA® NOZZLE Ø S1.4 FE FIBER CP		
	102024CKT		AMADA® NOZZLE Ø S1.4 FE FIBER CP WITH COLLAR		
	102025CK		AMADA® NOZZLE Ø S1.7 FE FIBER CP		
	102025CKT		AMADA® NOZZLE Ø S1.7 FE FIBER CP WITH COLLAR		
	102026CK		AMADA® NOZZLE Ø S2.0 FE FIBER CP		
	102026CKT		AMADA® NOZZLE Ø S2.0 FE FIBER CP WITH COLLAR		
2	102032CK		AMADA® DOUBLE NOZZLE Ø D1.2 FE FIBER CP		
	102032CKT		AMADA® DOUBLE NOZZLE Ø D1.2 FE FIBER CP WITH COLLAR		
	102033CK		AMADA® DOUBLE NOZZLE Ø D1.5 FE FIBER CP		
	102033CKT		AMADA® DOUBLE NOZZLE Ø D1.5 FE FIBER CP WITH COLLAR		
3	109006	71712340	AMADA® PTFE COLLAR WITH GROOVE		

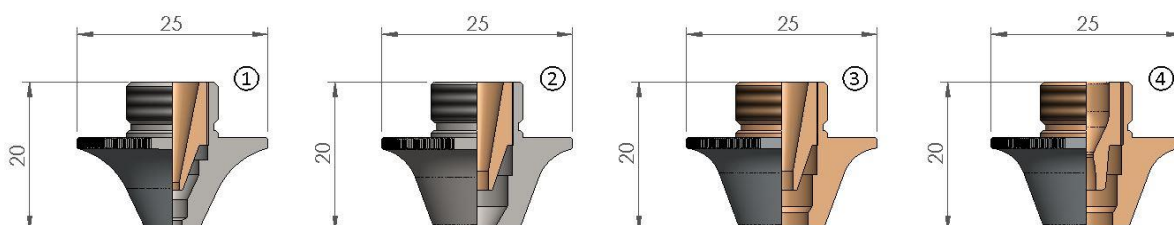
Replacement parts suitable for AMADA®



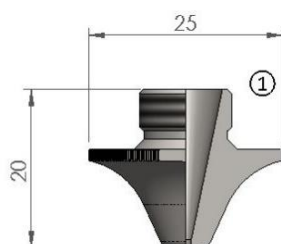
POS	LS. CODE	ORIGINAL CODE	DESCRIPTION	unit price	10 pack price
1	109021	71341630	AMADA® SENSOR CABLE		
2	109022	71398965	AMADA® SENSOR CABLE HS 15		

San Giorgio Plasma Parts srls is not affiliated with the named manufacturers. Reference to machines, parts, descriptions, and model numbers are for convenience in verifying compatibility only. All parts are made by or for San Giorgio Plasma Parts srls and are not made by the reference manufactures (unless expressly indicated). All other trademarks are the properties of their respective owners."

Replacement parts suitable for AMADA®



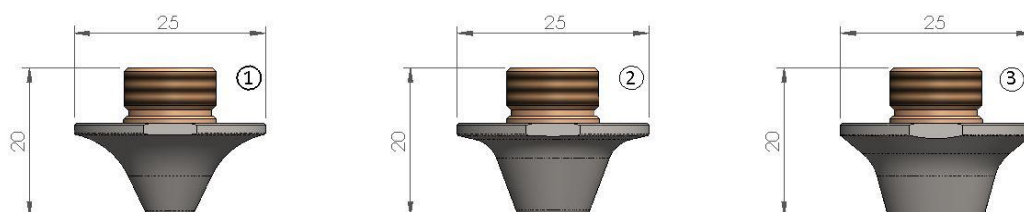
POS	LS. CODE	ORIGINAL CODE	DESCRIPTION	unit price	10 pack price
1	103012K		AMADA® DOUBLE NOZZLE Ø D2.5CC SPECIAL CP FOR CLEAN CUT		
	103013K	71341728 - 71555121	AMADA® DOUBLE NOZZLE Ø D4.0CC SPECIAL CP FOR CLEAN CUT		
2	103014K		AMADA® DOUBLE NOZZLE Ø D5.0CC SPECIAL CP FOR CLEAN CUT		
	103015K		AMADA® DOUBLE NOZZLE Ø D6.0CC SPECIAL CP FOR CLEAN CUT		
	103016K	71341729 - 71712721	AMADA® DOUBLE NOZZLE Ø D7.0CC SPECIAL CP FOR CLEAN CUT		
3	104005C	71501092	AMADA® DOUBLE NOZZLE Ø 7.0 AL CC CP		
4	104013C	71712692	AMADA® DOUBLE NOZZLE Ø 7.0SC CP SILKY CUT		



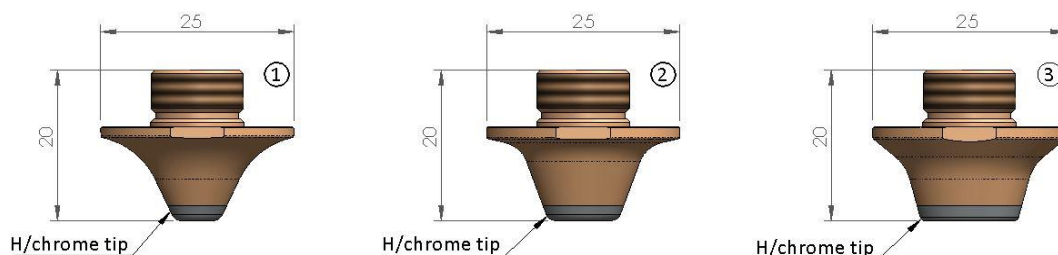
POS	LS. CODE	ORIGINAL CODE	DESCRIPTION	unit price	10 pack price
1	103003K		AMADA® NOZZLE Ø S1.5CC SPECIAL CP FOR CLEAN CUT		
	103004K	71502043	AMADA® NOZZLE Ø S2.0CC SPECIAL CP FOR CLEAN CUT		
	103005K		AMADA® NOZZLE Ø S2.5CC SPECIAL CP FOR CLEAN CUT		
	103006K	71502044	AMADA® NOZZLE Ø S3.0CC SPECIAL CP FOR CLEAN CUT		

San Giorgio Plasma Parts srls is not affiliated with the named manufacturers. Reference to machines, parts, descriptions, and model numbers are for convenience in verifying compatibility only. All parts are made by or for San Giorgio Plasma Parts srls and are not made by the reference manufactures (unless expressly indicated). All other trademarks are the properties of their respective owners."

Replacement parts suitable for AMADA®



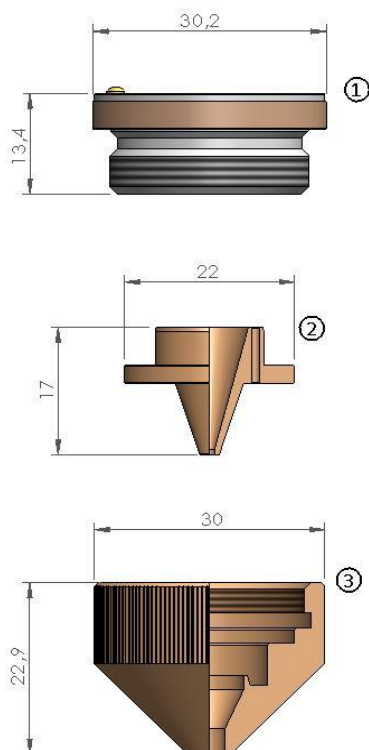
POS	LS. CODE	ORIGINAL CODE	DESCRIPTION	unit price	10 pack price
1	106001C		AMADA® DOUBLE NOZZLE Ø2.5 CP - SS		
	106002C		AMADA® DOUBLE NOZZLE Ø3.0 CP - SS		
	106003C		AMADA® DOUBLE NOZZLE Ø4.0 CP - SS		
2	106004C		AMADA® DOUBLE NOZZLE Ø6.0 CP - SS		
3	106005C		AMADA® DOUBLE NOZZLE Ø10.0 CP - SS		



POS	LS. CODE	ORIGINAL CODE	DESCRIPTION	unit price	10 pack price
1	106001CK		AMADA® DOUBLE NOZZLE Ø2.5 CP - SS		
	106002CK		AMADA® DOUBLE NOZZLE Ø3.0 CP - SS		
	106003CK		AMADA® DOUBLE NOZZLE Ø4.0 CP - SS		
2	106004CK		AMADA® DOUBLE NOZZLE Ø6.0 CP - SS		
3	106005CK		AMADA® DOUBLE NOZZLE Ø10.0 CP - SS		

San Giorgio Plasma Parts srls is not affiliated with the named manufacturers. Reference to machines, parts, descriptions, and model numbers are for convenience in verifying compatibility only. All parts are made by or for San Giorgio Plasma Parts srls and are not made by the reference manufactures (unless expressly indicated). All other trademarks are the properties of their respective owners."

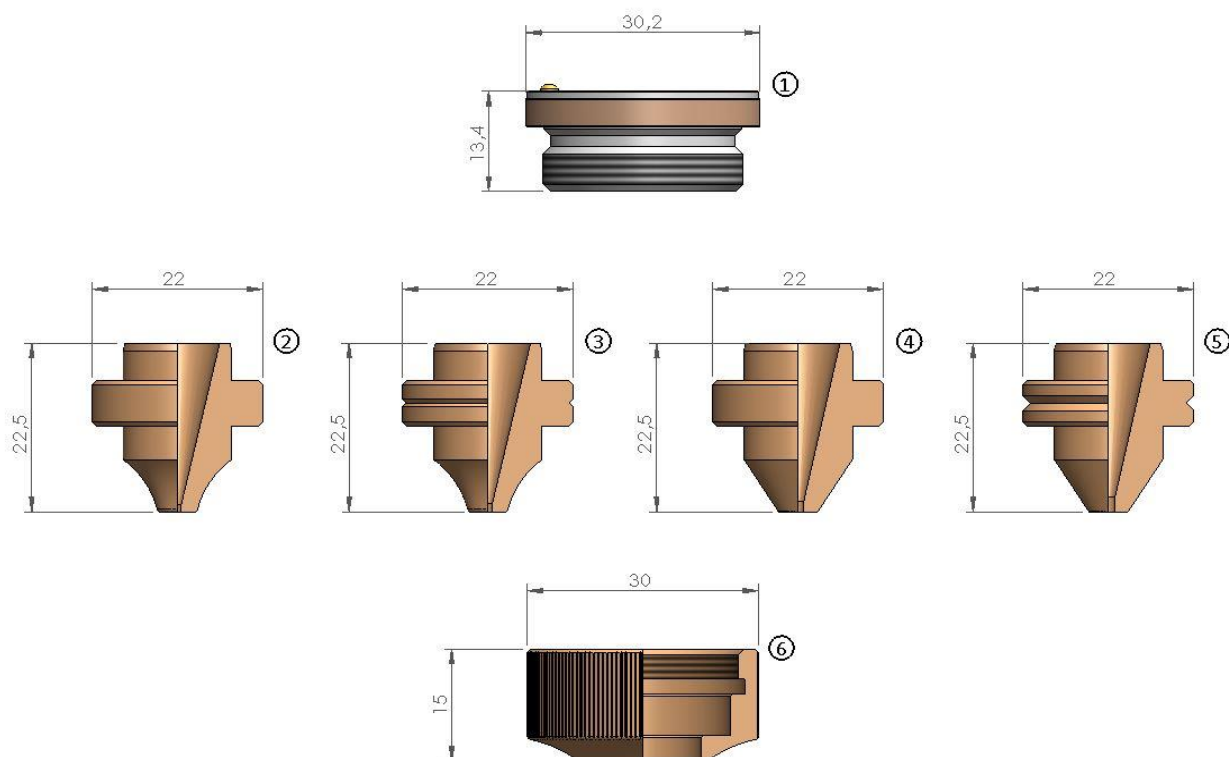
Replacement parts suitable for AMADA®



POS	LS. CODE	ORIGINAL CODE	DESCRIPTION	unit price	10 pack price
1	309001	P0594-860-00001 - 71800010	mitsubishi® NOZZLE HOLDER IT HP2" MZP/MEL		
2	302110	W270	mitsubishi® INNER NOZZLE Ø 1.3 - 8 HOLES		
	302111	71800023 - BQ943D156H01 - W270-1.5	mitsubishi® INNER NOZZLE Ø 1.5 - 8 HOLES		
	302112		mitsubishi® INNER NOZZLE Ø 2.0 - 8 HOLES		
	302121	71800024 - BQ943D156H03 - W515	mitsubishi® INNER NOZZLE Ø 1.5 - 24 HOLES		
	302122		mitsubishi® INNER NOZZLE Ø 2.0 - 24 HOLES		
3	302305	71800027- BQ933D221H04-P0593-86000001	mitsubishi® OUTER NOZZLE WITH INNER WALL		

San Giorgio Plasma Parts srls is not affiliated with the named manufacturers. Reference to machines, parts, descriptions, and model numbers are for convenience in verifying compatibility only. All parts are made by or for San Giorgio Plasma Parts srls and are not made by the reference manufactures (unless expressly indicated). All other trademarks are the properties of their respective owners."

Replacement parts suitable for AMADA®



POS	LS. CODE	ORIGINAL CODE	DESCRIPTION	unit price	10 pack price
1	309001	P0594-860-00001 - 71800010	PRECITEC NOZZLE HOLDER IT HP2" MZP/MEL		
2	302201	BQ933D283H01 - 71800016A0	mitsubishi® NOZZLE S10 Ø 1.0		
	302203		mitsubishi® NOZZLE S14 Ø 1.4		
3	302202	BQ943D269H01- W18Q93326901- BQ943D157H01 - 71800018	mitsubishi® NOZZLE S12 Ø 1.2		
	302204	71800019 - BQ943D157H02	mitsubishi® NOZZLE S15 Ø 1.5		
4	302206		mitsubishi® NOZZLE S20 Ø 2.0		
	302207		mitsubishi® NOZZLE S25 Ø 2.5		
	302208		mitsubishi® NOZZLE S30 Ø 3.0		
	302209		mitsubishi® NOZZLE S35 Ø 3.5		
5	302210		mitsubishi® NOZZLE S17 Ø 1.7		
	302205	W18Q93302701	mitsubishi® NOZZLE S17 Ø 1.7		
6	302301	71800026 - BQ933D94H01	mitsubishi® NOZZLE NUT		

San Giorgio Plasma Parts srls is not affiliated with the named manufacturers. Reference to machines, parts, descriptions, and model numbers are for convenience in verifying compatibility only. All parts are made by or for San Giorgio Plasma Parts srls and are not made by the reference manufactures (unless expressly indicated). All other trademarks are the properties of their respective owners."

Replacement parts suitable for AMADA®



POS	LS. CODE	ORIGINAL CODE	DESCRIPTION	unit price	10 pack price
1	105031CW	62094006	AMADA® NOZZLE Ø 1.0 CP		
	105032CW	62094006	AMADA® NOZZLE Ø 1.25 CP		
	105033CW	62094006, 1507610	AMADA® NOZZLE Ø 1.5 CP		
	105034CW	62094006	AMADA® NOZZLE Ø 1.75 CP		
	105035CW	62094006, 1507611	AMADA® NOZZLE Ø 2.0 CP		
	105036CW	62094006	AMADA® NOZZLE Ø 2.5 CP		
	105037CW	62094008, 71102007	AMADA® NOZZLE Ø 3.0 CP		
2	105041CW	62094005	AMADA® NOZZLE Ø 1.0 CP		
	105042CW	62094005	AMADA® NOZZLE Ø 1.25 CP		
	105043CW	62094005, 71341515	AMADA® NOZZLE Ø 1.5 CP		
	105044CW	62094005, 71341515-1.75	AMADA® NOZZLE Ø 1.75 CP		
	105045CW	62094005, 71102006	AMADA® NOZZLE Ø 2.0 CP		
	105046CW	62094005	AMADA® NOZZLE Ø 2.5 CP		
	105047CW	62094005, 71341515-3.0	AMADA® NOZZLE Ø 3.0 CP		

San Giorgio Plasma Parts srls is not affiliated with the named manufacturers. Reference to machines, parts, descriptions, and model numbers are for convenience in verifying compatibility only. All parts are made by or for San Giorgio Plasma Parts srls and are not made by the reference manufactures (unless expressly indicated). All other trademarks are the properties of their respective owners."