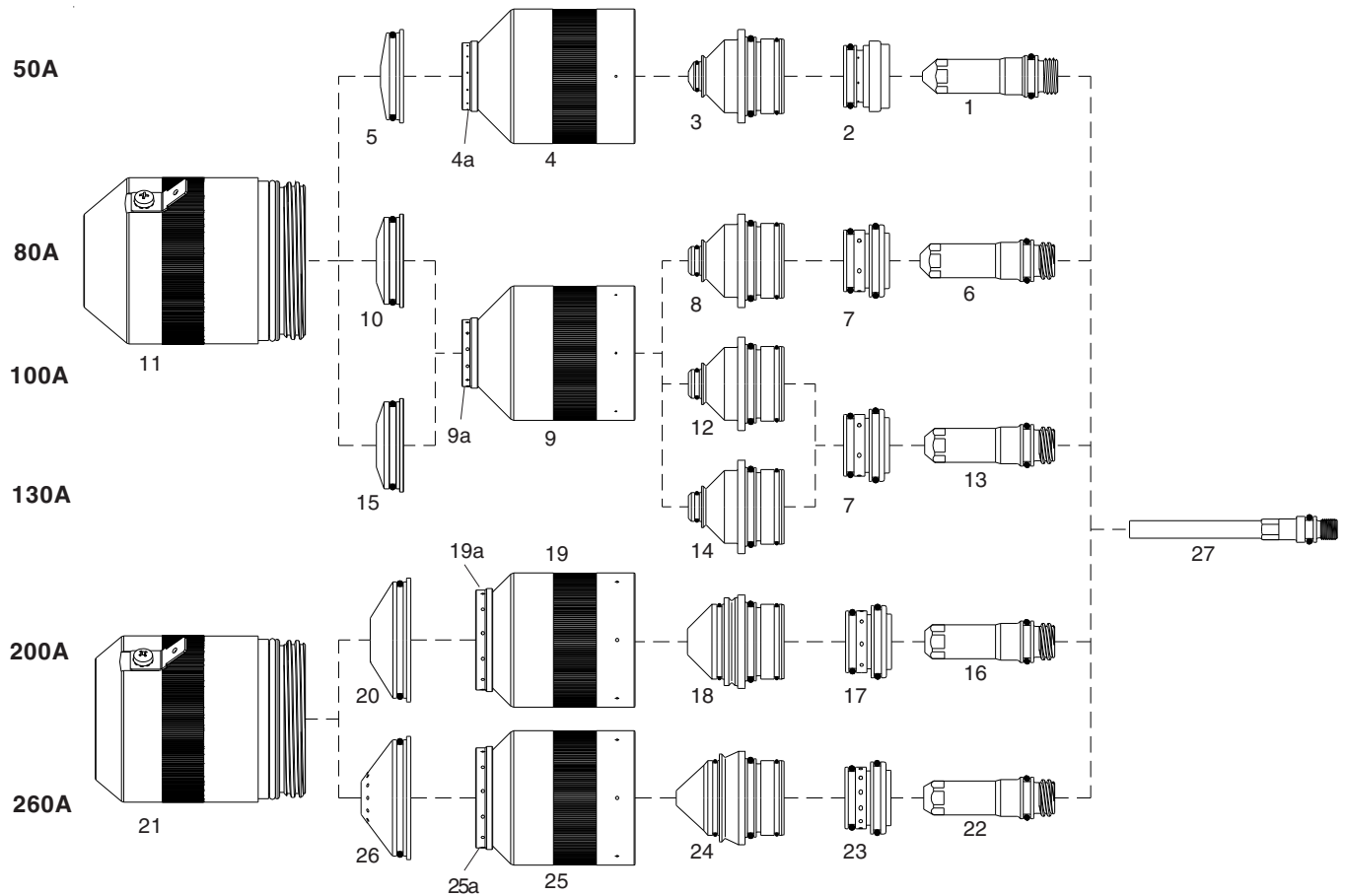


SAF®
CPM-400®

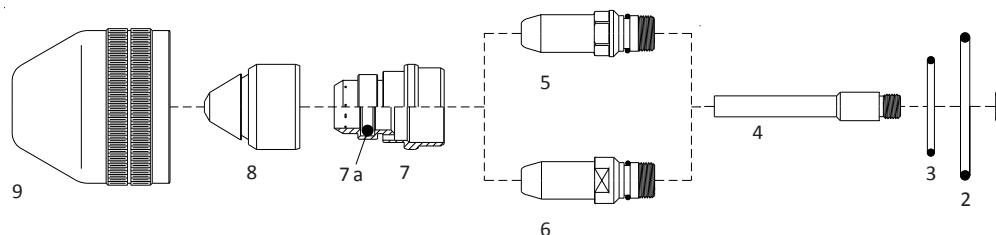


No.	Ref.	Code	Description	Pkg.	No.	Ref.	Code	Description	Pkg.
1	W000275452	52764	Electrode 50A	10	17	W000275470	60143	Swirl Ring 200A Max Life	1
2	W000275455	60141	Swirl Ring 50A Max Life	1		W000275470	60143L	Swirl Ring 200A LAVA	1
	W000275455	60141L	Swirl Ring 50A LAVA	1	18	W000275468	51746	Nozzle 200A	5
3	W000275451	51742	Nozzle 50A	5	19	W000275472	60772	Retaining cap 200A	1
4	W000275446	60770	Retaining cap 50A	1	20	W000275473	60746	Shield 200A	1
5	W000275650	60742	Shield 50A	1	21	W000275439	60775	Shield cap 200-260A "Top Quality"	1
6	W000275460	52765	Electrode 80A	10		W000275439L	60775L	Shield cap 200-260A	1
7	W000275461	60142	Swirl Ring 80-130A Max Life	1	22	W000275475	52768	Electrode 260A	10
	W000275461	60142L	Swirl Ring 80-130A LAVA	1	23	W000275477	60144	Swirl Ring 260A Max Life	1
8	W000275459	51743	Nozzle 80A	5		W000275477	60144L	Swirl Ring 260A LAVA	1
9	W000275458	60771	Retaining cap 80-130A	1	24	W000275476	51747	Nozzle 260A	5
10	W000275456	60743	Shield 80A	1	25	W000275478	60773	Retaining cap 260A	1
11	W000275442	60774	Shield cap 80-130A "Top Quality"	1	26	W000275479	60747	Shield 260A	1
	W000275442L	60774L	Shield cap 80-130A	1	27	W000275433	60607	Water cooling tube	1
12	W000275463	51744	Nozzle 100A	5	RING for retaining Cap				
13	W000275466	52766	Electrode 100-130A	10	4a	W000275446R	60150	RING for Retaining Cap 50A	2
14	W000275465	51745	Nozzle 130A	5	9a	W000275458R	60151	RING for Retaining Cap 80-130A	2
15	W000275462	60745	Shield 100-130A	1	19a	W000275472R	60152	RING for Retaining Cap 200A	2
16	W000275467	52767	Electrode 200A	10	25a	W000275478R	60153	RING for Retaining Cap 260A	2

Replacement parts suitable for:

SAF® - FRO®

OCP-150®

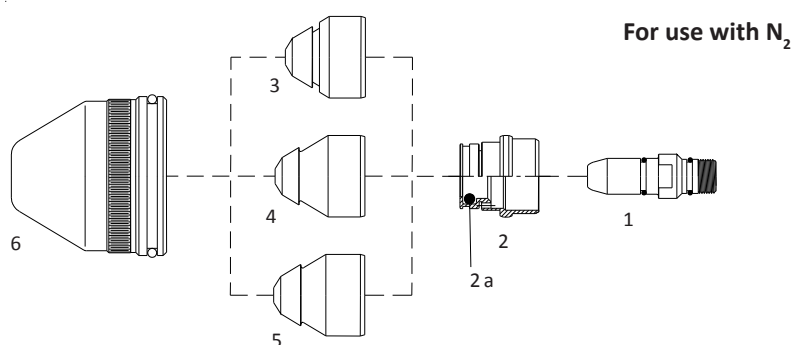
For use with O₂

No.	Ref.	Code	Description	Pkg.	No.	Ref.	Code	Description	Pkg.
1	0408-1238	60600.44	O-Ring Nitrile	20	7a	0409-2168	60601.41	O-Ring Silicone	20
2	0408-1282	60600.43	O-Ring Nitrile	20	8	0409-2173	51600.07	Tip 30A	5
3	0408-1284	60600.42	O-Ring Nitrile	20		0409-2174	51600.08	Tip 40A	5
4	0409-2154	60602	Diffusor	1		0409-2176	51600.10	Tip 60A	5
5	0409-2184	52595	Electrode	5		0409-2183	51600.13	Tip 90A	5
6	0409-2185	52596	Electrode - HX5	5		0409-2186	51600.16	Tip 120A	5
7	0409-2170	60601	Swirl ring OCP VD6 60A	2	9	0409-2166	60600	Retaining cap	1
	0409-2169	60603	Swirl ring OCP VD15 120A	2					

SAF® - FRO®

OCP-150®

ON REQUEST

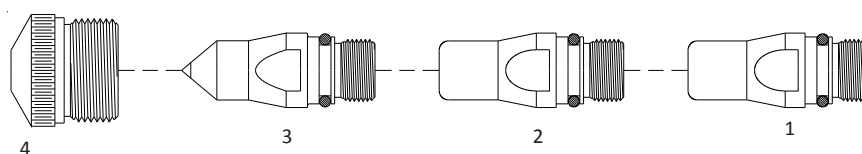
For use with N₂

No.	Ref.	Code	Description	Pkg.	No.	Ref.	Code	Description	Pkg.
1	0409-2194	52596W	Electrode W15, N2 Ar/H ₂	5	4	0409-2239	51705	Tip 90A N90 N ₂	5
2	0409-2209	60605	Diffusor NL, N2 Ar/H ₂	2		0409-2240	51706	Tip 120A N120 N ₂	5
2a	0409-2168	60601.41	O-Ring Silicone	20	5	0409-2249	51708	Tip 90A A90 Ar/H ₂	5
3	0409-2231	51700	Tip 15A N15 N ₂	5		0409-2250	51709	Tip 120A A120 Ar/H ₂	5
	0409-2233	51701	Tip 30A N30 N ₂	5	6	0409-2210	60606	Retaining cap N ₂ Ar/H ₂	1
	0409-2234	51702	Tip 40A N40 N ₂	5					
	0409-2236	51703	Tip 60A N60 N ₂	5					

SAF® - CPM-15®

FRO®

ON REQUEST



No.	Ref.	Code	Description	Pkg.	No.	Ref.	Code	Description	Pkg.
1	0409-1204	52592	Electrode Air	5	4	0409-1212	51615.12	Tip 60A W000325069	5
2	0409-1205	52593	Electrode N ₂	5		0409-1216	51615.16	Tip 100A W000325072	5
3	0409-1206	52594	Electrode Ar/H	5		0409-1218	51615.18	Tip 150A W000325073	5
4	0409-1210	51615.10	Tip 40A W000325067	5					